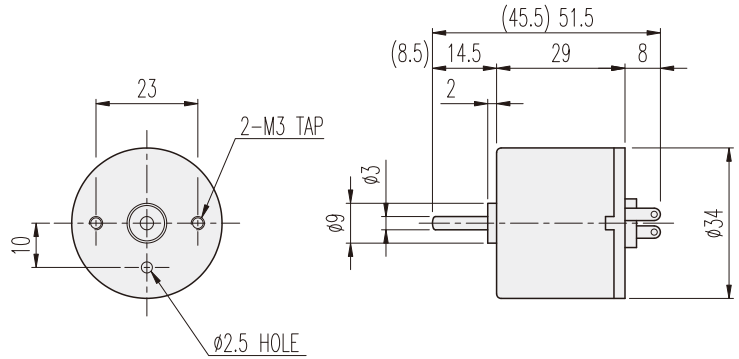


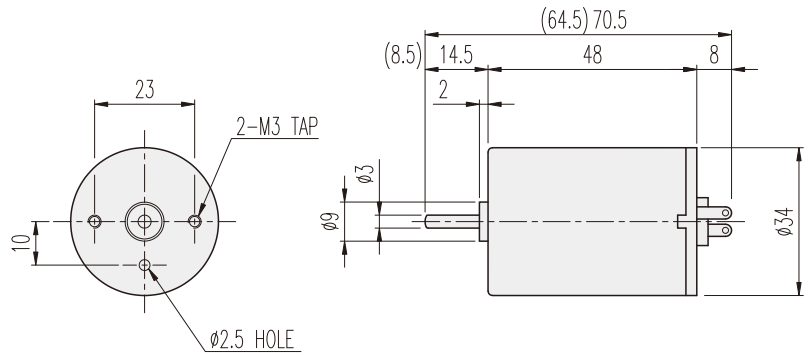
KD□-34□□-TYPE

DIMENSIONS

KD3429□□ SERIES



KD3448□□ SERIES



ENCODER SERIES

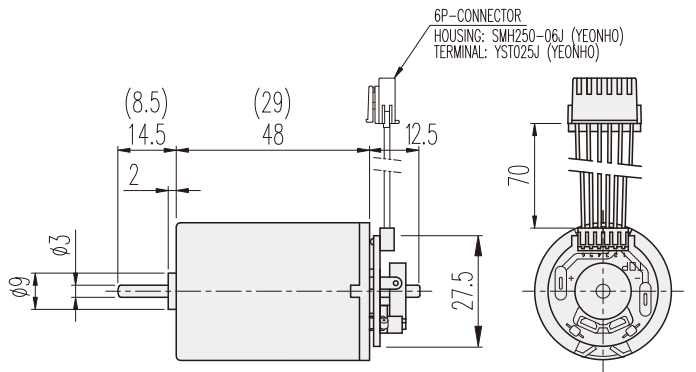
KD3429□□-E & 3448□□-E



6P-CONNECTOR Wire connection contents

| No.1 | Wire connection contents | Remarks |
|------|--------------------------|--|
| 1 | DC MOOTR (+) Voltage | In case of supplying power MOTOR CCW-Turning |
| 2 | DC MOOTR (-) Voltage | |
| 3 | H/SENSOR (+) Voltage | Vcc (+) DC 5 ~ 24V |
| 4 | H/SENSOR (-) Voltage | GROUND |
| 5 | H/SENSOR #1 OUT | OPEN COLLECTOR MAX. DC 24V -50mA |
| 6 | H/SENSOR #1 OUT | |

20Pole 10Pulse INCREMENTAL TYPE



PERFORMANCE DATA

| MODEL | ITEM | VOLTAGE (DC) | NO LOAD | | AT MAX. EFF. | | STALL | | WEIGHT (g) | |
|----------|------|--------------|---------|------|--------------|-----|-------|-----|------------|-------|
| | | | mA | rpm | gf-cm | A | rpm | A | | gf-cm |
| KD3429S1 | | 12V | 120 | 5200 | 40 | 0.3 | 4500 | 1.7 | 360 | 90 |
| KD3429S2 | | 24V | 70 | 5200 | 40 | 0.2 | 4500 | 1 | 370 | |
| KD3429T1 | | 12V | 150 | 7500 | 40 | 0.5 | 6500 | 3.8 | 420 | |
| KD3429T2 | | 24V | 80 | 7500 | 40 | 0.2 | 6500 | 1.2 | 320 | |
| KD3429P1 | | 12V | 200 | 9500 | 80 | 1 | 8000 | 3.8 | 330 | 140 |
| KD3429P2 | | 24V | 100 | 9500 | 40 | 0.3 | 8000 | 2 | 350 | |
| KD3448S1 | | 12V | 150 | 5200 | 80 | 0.5 | 4500 | 3.2 | 830 | |
| KD3448S2 | | 24V | 80 | 5200 | 80 | 0.3 | 4500 | 2 | 790 | |
| KD3448T1 | | 12V | 220 | 7500 | 80 | 0.7 | 6500 | 5 | 730 | |
| KD3448T2 | | 24V | 100 | 7500 | 80 | 0.4 | 6500 | 3 | 700 | |
| KD3448P1 | | 12V | 300 | 9000 | 80 | 0.8 | 8000 | 5.5 | 670 | |
| KD3448P2 | | 24V | 200 | 9000 | 80 | 0.5 | 8000 | 3.5 | 750 | |