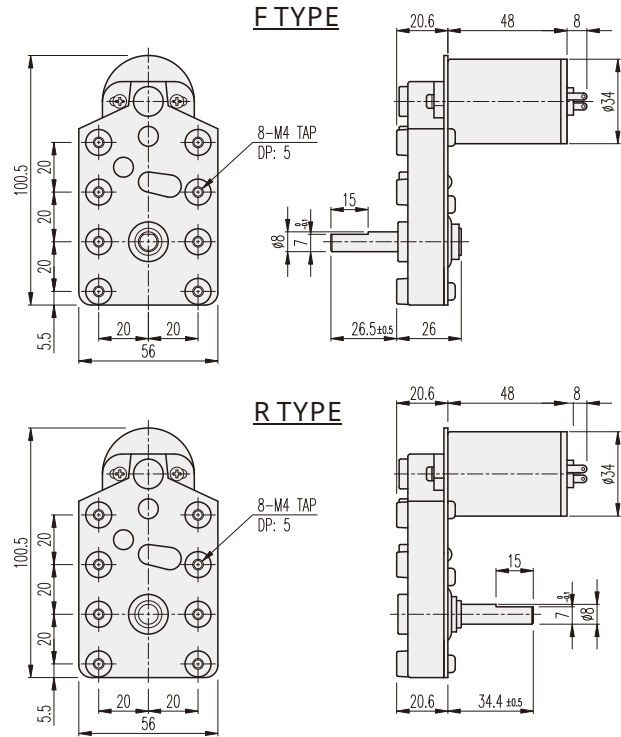


## KGE-TYPE

### DIMENSIONS

#### KGE-3448 SERIES



#### AT MAXIMUM EFFICIENCY (KGE-□□□□-KD3448□□)

GEAR	MODEL		KD3448S1		KD3448S2		KD3448T1		KD3448T2		KD3448P1		KD3448P2	
			DC 12V		DC 24V		DC 12V		DC 24V		DC 12V		DC 24V	
	rpm	kgf-cm	rpm	kgf-cm	rpm	kgf-cm	rpm	kgf-cm	rpm	kgf-cm	rpm	kgf-cm	rpm	kgf-cm
1/0022	205	1.3	205	1.3	295	1.3	295	1.3	364	1.3	364	1.3		
1/0034	132	2	132	2	191	2	191	2	235	2	235	2		
1/0043	104.7	2.5	104.7	2.5	151	2.5	151	2.5	186	2.5	186	2.5		
1/0050	90	2.9	90	2.9	130	2.9	130	2.9	160	2.9	160	2.9		
1/0062	72.6	3.6	72.6	3.6	105	3.6	105	3.6	129	3.6	129	3.6		
1/0068	66.2	4	66.2	4	95.5	4	95.5	4	117.6	4	117.6	4		
1/0083	54.2	4.8	54.2	4.8	78.3	4.8	78.3	4.8	96.4	4.8	96.4	4.8		
1/0105	42.9	6.1	42.9	6.1	62	6.1	62	6.1	76.2	6.1	76.2	6.1		
1/0116	38.8	6.8	38.8	6.8	56	6.8	56	6.8	69	6.8	69	6.8		
1/0162	27.8	8.5	27.8	8.5	40	8.5	40	8.5	49.4	8.5	49.4	8.5		
1/0182	24.7	9.6	24.7	9.6	35.7	9.6	35.7	9.6	44	9.6	44	9.6		
1/0204	22	10.7	22	10.7	31.8	10.7	31.8	10.7	39.2	10.7	39.2	10.7		
1/0240	18.8	12.6	18.8	12.6	27.1	12.6	27.1	12.6	33.3	12.6	33.3	12.6		
1/0308	14.6	16.2	14.6	16.2	21.1	16.2	21.1	16.2	26	16.2	26	16.2		
1/0350	12.9	18.4	12.9	18.4	18.6	18.4	18.6	18.4	22.9	18.4	22.9	18.4		
1/0452	10	20	10	20	14.4	20	14.4	20	17.7	20	17.7	20		
1/0615	7.3	20	7.3	20	10.5	20	10.5	20	13	20	13	20		
1/0687	6.5	20	6.5	20	9.5	20	9.5	20	11.6	20	11.6	20		

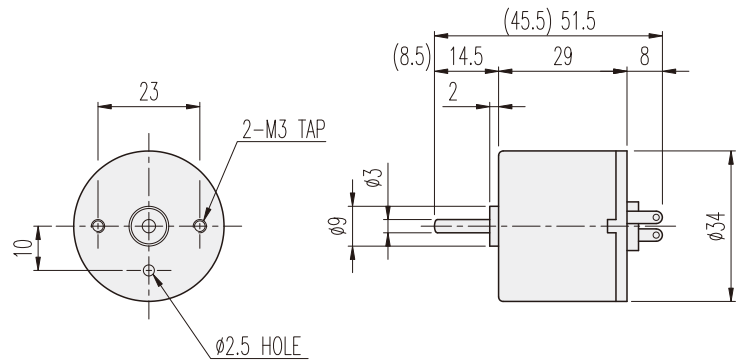
\*   color gear ratios are same rotation direction with motor.

\* The standard is F-TYPE.

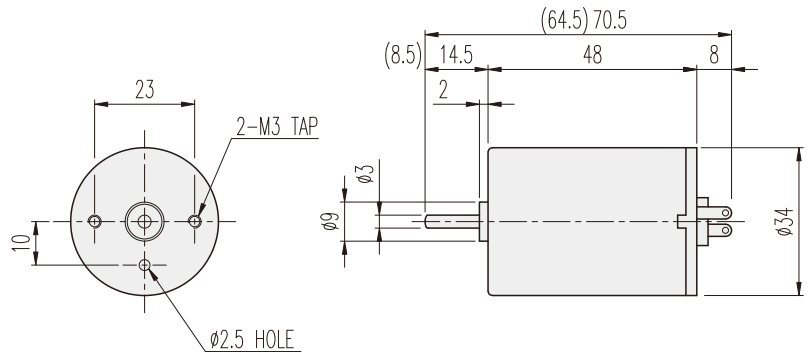
## KD□-34□□-TYPE

### DIMENSIONS

#### KD3429□□ SERIES



#### KD3448□□ SERIES



#### ENCODER SERIES

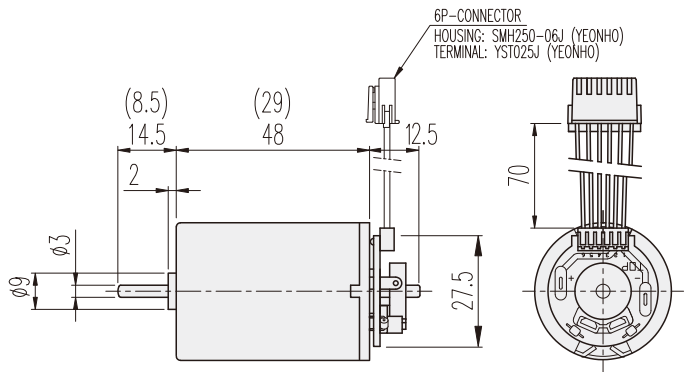
#### KD3429□□-E & 3448□□-E



#### 6P-CONNECTOR Wire connection contents

No.1	Wire connection contents	Remarks
1	DC MOOTR (+) Voltage	In case of supplying power MOTOR CCW-Turning
2	DC MOOTR (-) Voltage	
3	H/SENSOR (+) Voltage	Vcc (+) DC 5 ~ 24V
4	H/SENSOR (-) Voltage	GROUND
5	H/SENSOR #1 OUT	OPEN COLLECTOR MAX. DC 24V -50mA
6	H/SENSOR #1 OUT	

#### 20Pole 10Pulse INCREMENTAL TYPE



#### PERFORMANCE DATA

MODEL	ITEM	VOLTAGE (DC)	NO LOAD		AT MAX. EFF.		STALL		WEIGHT (g)	
			mA	rpm	gf-cm	A	rpm	A		gf-cm
KD3429S1		12V	120	5200	40	0.3	4500	1.7	360	90
KD3429S2		24V	70	5200	40	0.2	4500	1	370	
KD3429T1		12V	150	7500	40	0.5	6500	3.8	420	
KD3429T2		24V	80	7500	40	0.2	6500	1.2	320	
KD3429P1		12V	200	9500	80	1	8000	3.8	330	140
KD3429P2		24V	100	9500	40	0.3	8000	2	350	
KD3448S1		12V	150	5200	80	0.5	4500	3.2	830	
KD3448S2		24V	80	5200	80	0.3	4500	2	790	
KD3448T1		12V	220	7500	80	0.7	6500	5	730	
KD3448T2		24V	100	7500	80	0.4	6500	3	700	
KD3448P1		12V	300	9000	80	0.8	8000	5.5	670	
KD3448P2		24V	200	9000	80	0.5	8000	3.5	750	