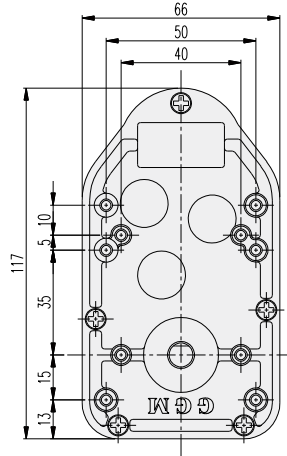
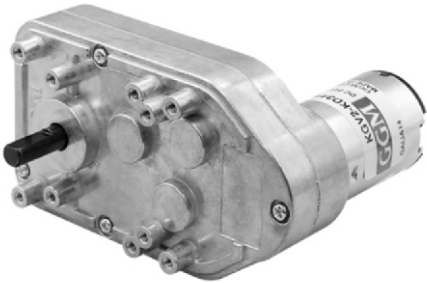


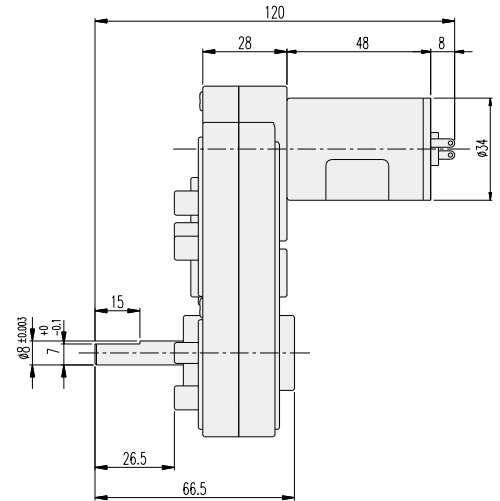
## KG V2-TYPE

### DIMENSIONS

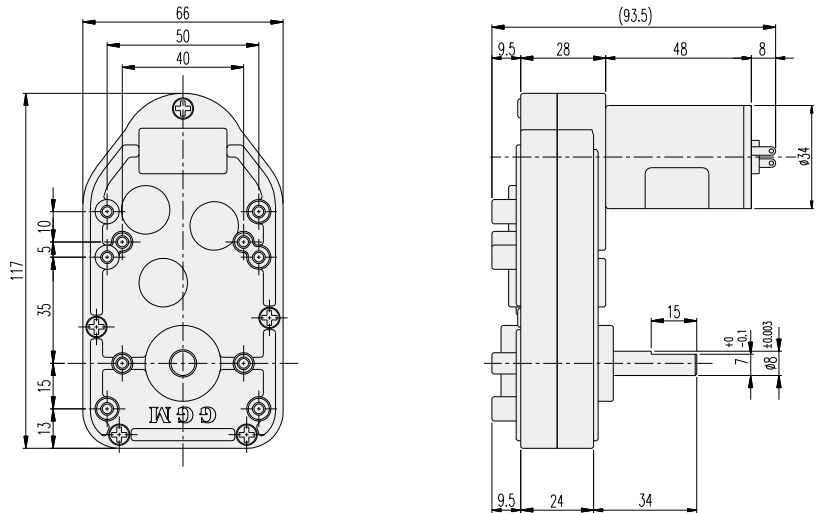
#### KG V2-3448 SERIES



#### F TYPE



#### R TYPE



#### AT MAXIMUM EFFICIENCY

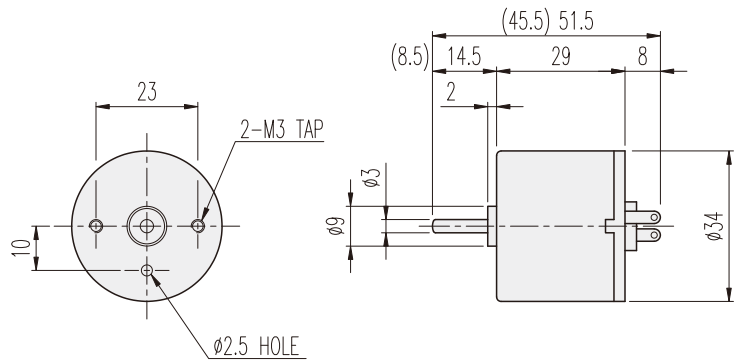
MODEL \ GEAR	KD3448S1		KD3448S2		KD3448T1		KD3448T2		KD3448P1		KD3448P2	
	rpm	kgf-cm	rpm	kgf-cm	rpm	kgf-cm	rpm	kgf-cm	rpm	kgf-cm	rpm	kgf-cm
1/0060	75	2.8	75	2.8	108.3	2.8	108.3	2.8	133.3	2.8	133.3	2.8
1/0070	64.2	3.2	64.2	3.2	92.8	3.2	92.8	3.2	114.2	3.2	114.2	3.2
1/0090	50	4	50	4	72.2	4	72.2	4	88.8	4	88.8	4
1/0105	42.8	4.8	42.8	4.8	62	4.8	62	4.8	76	4.8	76	4.8
1/0135	33.3	5.6	33.3	5.6	48	5.6	48	5.6	59.2	5.6	59.2	5.6
1/0200	22.5	8.4	22.5	8.4	32.5	8.4	32.5	8.4	40	8.4	40	8.4
1/0350	12.8	14.6	12.8	14.6	18.5	14.6	18.5	14.6	22.8	14.6	22.8	14.6
1/0500	9	20	9	20	13	20	13	20	16	20	16	20
1/0660	6.8	20	6.8	20	9.8	20	9.8	20	12	20	12	20

\*   color gear ratios are same rotation direction with motor.

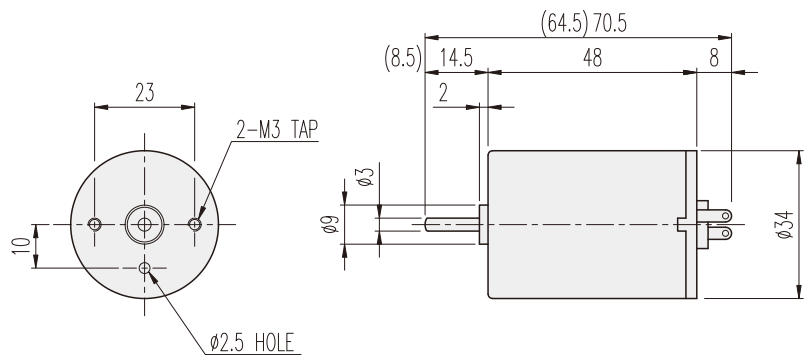
## KD□-34□□-TYPE

### DIMENSIONS

#### KD3429□□ SERIES



#### KD3448□□ SERIES



#### ENCODER SERIES

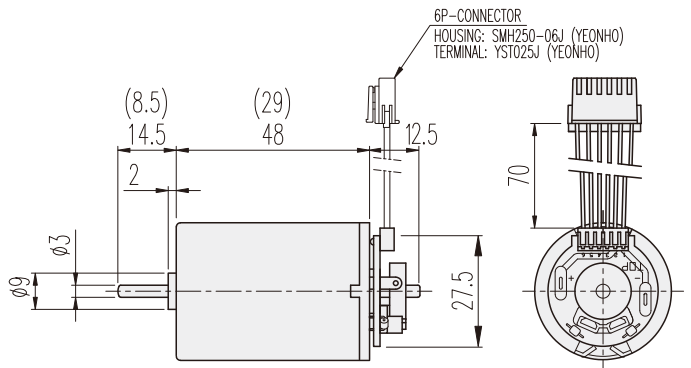
#### KD3429□□-E & 3448□□-E



6P-CONNECTOR  
Wire connection contents

No.1	Wire connection contents	Remarks
1	DC MOOTR (+) Voltage	In case of supplying power MOTOR CCW-Turning
2	DC MOOTR (-) Voltage	
3	H/SENSOR (+) Voltage	Vcc (+) DC 5 ~ 24V
4	H/SENSOR (-) Voltage	GROUND
5	H/SENSOR #1 OUT	OPEN COLLECTOR MAX. DC 24V -50mA
6	H/SENSOR #1 OUT	

20Pole 10Pulse INCREMENTAL TYPE



#### PERFORMANCE DATA

MODEL	ITEM	VOLTAGE (DC)	NO LOAD		AT MAX. EFF.		STALL		WEIGHT (g)	
			mA	rpm	gf-cm	A	rpm	A		gf-cm
KD3429S1		12V	120	5200	40	0.3	4500	1.7	360	90
KD3429S2		24V	70	5200	40	0.2	4500	1	370	
KD3429T1		12V	150	7500	40	0.5	6500	3.8	420	
KD3429T2		24V	80	7500	40	0.2	6500	1.2	320	
KD3429P1		12V	200	9500	80	1	8000	3.8	330	140
KD3429P2		24V	100	9500	40	0.3	8000	2	350	
KD3448S1		12V	150	5200	80	0.5	4500	3.2	830	
KD3448S2		24V	80	5200	80	0.3	4500	2	790	
KD3448T1		12V	220	7500	80	0.7	6500	5	730	
KD3448T2		24V	100	7500	80	0.4	6500	3	700	
KD3448P1		12V	300	9000	80	0.8	8000	5.5	670	
KD3448P2		24V	200	9000	80	0.5	8000	3.5	750	