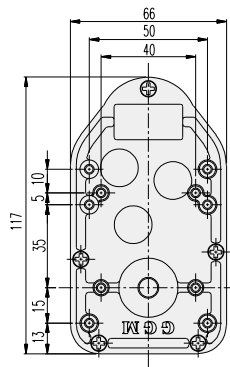
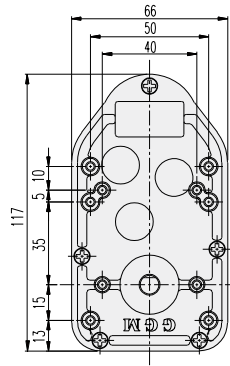
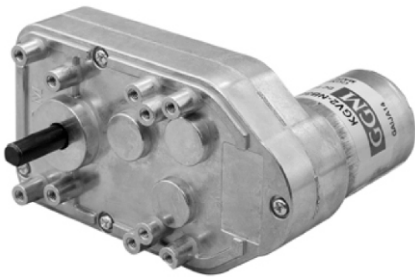


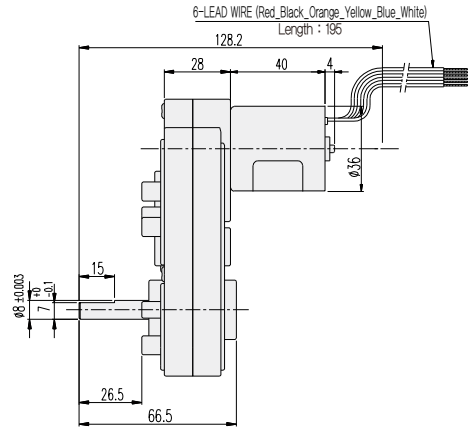
KG V2-TYPE

DIMENSIONS

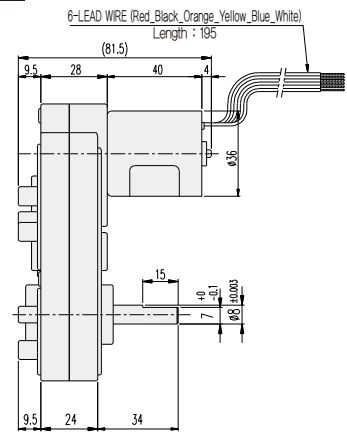
KG V2-3640 BLDC SERIES



F TYPE



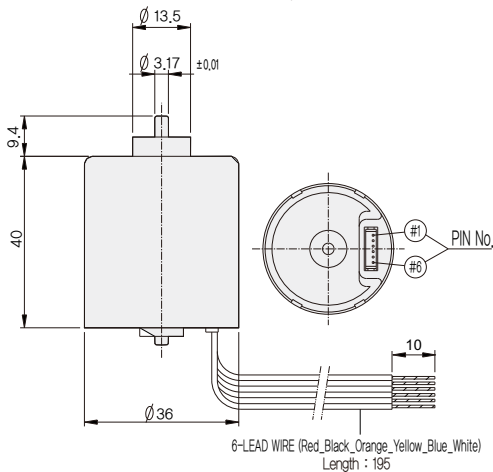
R TYPE



How to connect when speed control is not needed.

No	Color	Pin - Contents	Connection Method
1	White	Brake	No Use, (-) connectin Brake
2	Blue	PWM	connecting to (-) power
3	Yellow	1FG(6P/R)	No Use
4	Orange	CW/CCW	Normal Open, CCW connecting to (-) power
5	Black	GND	connecting to (-) power
6	Red	24V	connecting to (+) power

* Please be cautious that Motor can be damaged when connected to incorrect power (+) (-).



BLDC MOTOR PERFORMANCE DATA

MODEL	ITEM	VOLTAGE (DC)	NO LOAD		AT MAX. EFF.			WEIGHT (g)
			mA	rpm	gf-cm	A	rpm	
KB3640S1		12V	500	5300	150	1.2	4500	145
		24V	300	5000	250	0.8	3900	

AT MAXIMUM EFFICIENCY

GEAR	MODEL	KB3640S1		KB3640S2	
		DC 12V			
		rpm	kgf-cm	rpm	kgf-cm
1/0060		75	5.2	65	8.7
1/0070		64.2	6	55.7	10.2
1/0090		50	7.8	43.3	13
1/0105		42.8	9	37	15.3
1/0135		33.3	10.6	28.8	17.7
1/0200		22.5	15.7	19.5	20
1/0350		12.8	20	11	20
1/0500		9	20	7.8	20
1/0660		6.8	20	5.9	20

* color gear ratios are same rotation direction with motor.