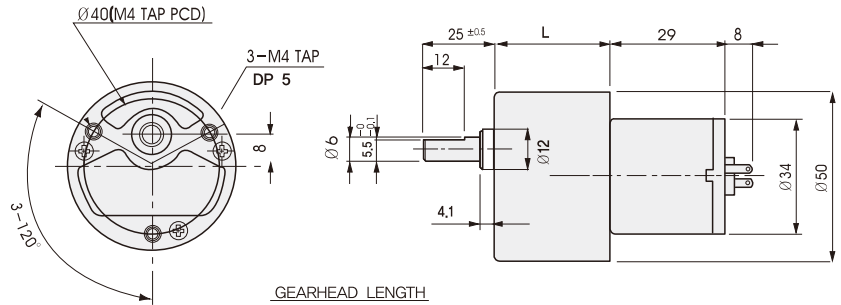
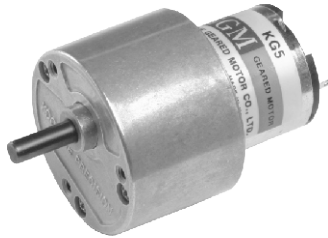


## KG5-TYPE

### DIMENSIONS

#### KG5-3429 SERIES



GEARHEAD LENGTH

RATIO	L
1/003~1/120	34
1/150~1/3240	46

#### AT MAXIMUM EFFICIENCY (KG5-□□□□-KD3429□□)

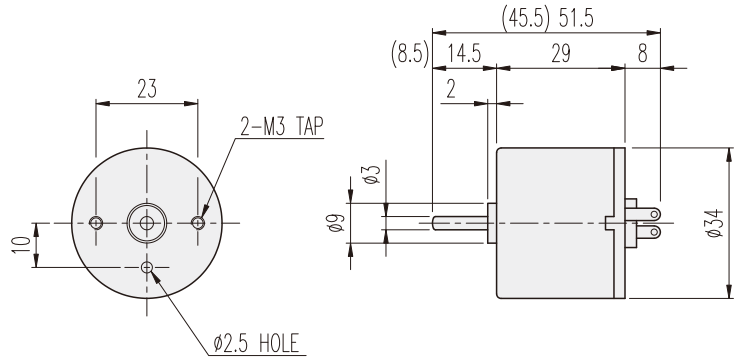
GEAR	MODEL	KD3429S1		KD3429S2		KD3429T1		KD3429T2		KD3429P1		KD3429P2	
		DC 12V		DC 24V		DC 12V		DC 24V		DC 12V		DC 24V	
		rpm	kgf-cm	rpm	kgf-cm	rpm	kgf-cm	rpm	kgf-cm	rpm	kgf-cm	rpm	kgf-cm
1/0003		1500	0.1	1500	0.1	2167	0.1	2167	0.1	2667	0.2	2667	0.1
1/0005		900	0.16	900	0.16	1300	0.16	1300	0.16	1600	0.3	1600	0.16
1/0010		450	0.3	450	0.3	650	0.3	650	0.3	800	0.65	800	0.3
1/0015		300	0.44	300	0.44	433	0.44	433	0.44	533	0.87	533	0.44
1/0020		225	0.58	225	0.58	325	0.58	325	0.58	400	1.2	400	0.58
1/0025		180	0.73	180	0.73	260	0.73	260	0.73	320	1.5	320	0.73
1/0030		150	0.87	150	0.87	217	0.87	217	0.87	267	1.75	267	0.87
1/0040		112.5	1.2	112.5	1.2	162.5	1.2	162.5	1.2	200	2.3	200	1.2
1/0050		90	1.3	90	1.3	130	1.3	130	1.3	160	2.6	160	1.3
1/0060		75	1.6	75	1.6	108	1.6	108	1.6	133	3.1	133	1.6
1/0075		60	2	60	2	87	2	87	2	107	3.9	107	2
1/0090		50	2.4	50	2.4	72	2.4	72	2.4	88.9	4.7	88.9	2.4
1/0100		45	2.6	45	2.6	65	2.6	65	2.6	80	5.2	80	2.6
1/0120		37.5	3.1	37.5	3.1	54.2	3.1	54.2	3.1	66.7	6.3	66.7	3.1
1/0150		30	3.5	30	3.5	43.3	3.5	43.3	3.5	53.3	7	53.3	3.5
1/0160		28.1	3.8	28.1	3.8	40.6	3.8	40.6	3.8	50	7.5	50	3.8
1/0180		25	4.2	25	4.2	36.1	4.2	36.1	4.2	44.4	8.5	44.4	4.2
1/0200		22.5	4.7	22.5	4.7	32.5	4.7	32.5	4.7	40	9.4	40	4.7
1/0210		21.4	5	21.4	5	31	5	31	5	38.1	9.9	38.1	5
1/0240		18.8	5.7	18.8	5.7	27	5.7	27	5.7	33.3	10	33.3	5.7
1/0270		16.7	6.4	16.7	6.4	24	6.4	24	6.4	29.6	10	29.6	6.4
1/0300		15	7.1	15	7.1	21.7	7.1	21.7	7.1	26.7	10	26.7	7.1
1/0360		12.5	8.5	12.5	8.5	18	8.5	18	8.5	22.2	10	22.2	8.5
1/0400		11.3	8.5	11.3	8.5	16.3	8.5	16.3	8.5	20	10	20	8.5
1/0500		9	10	9	10	13	10	13	10	16	10	16	10
1/0600		7.5	10	7.5	10	10.8	10	10.8	10	13.3	10	13.3	10
1/0750		6	10	6	10	8.7	10	8.7	10	10.7	10	10.7	10
1/0900		5	10	5	10	7.2	10	7.2	10	8.9	10	8.9	10
1/1080		4.2	10	4.2	10	6	10	6	10	7.4	10	7.4	10
1/1250		3.6	10	3.6	10	5.2	10	5.2	10	6.4	10	6.4	10
1/1500		3	10	3	10	4.3	10	4.3	10	5.3	10	5.3	10
1/1800		2.5	10	2.5	10	3.6	10	3.6	10	4.4	10	4.4	10
1/2250		2	10	2	10	2.9	10	2.9	10	3.6	10	3.6	10
1/2700		1.7	10	1.7	10	2.4	10	2.4	10	3	10	3	10
1/3240		1.4	10	1.4	10	2	10	2	10	2.5	10	2.5	10

\*    color gear ratios are same rotation direction with motor.

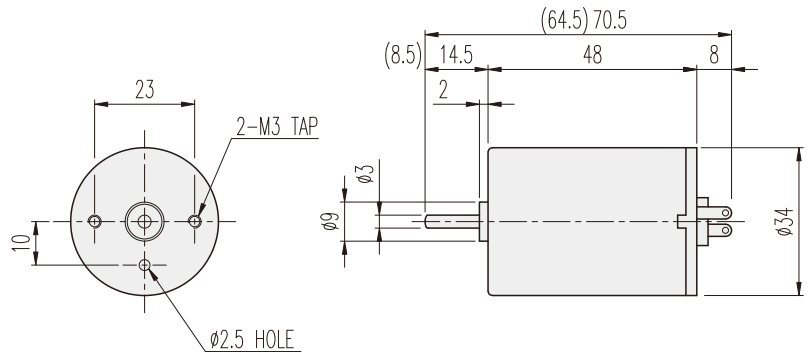
## KD□-34□□-TYPE

### DIMENSIONS

#### KD3429□□ SERIES



#### KD3448□□ SERIES



#### ENCODER SERIES

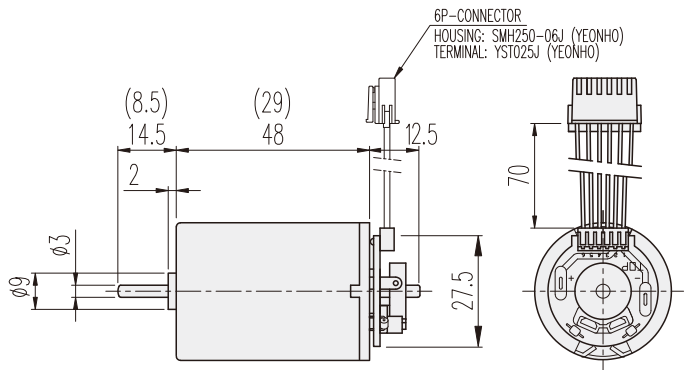
#### KD3429□□-E & 3448□□-E



#### 6P-CONNECTOR Wire connection contents

No.1	Wire connection contents	Remarks
1	DC MOOTR (+) Voltage	In case of supplying power MOTOR CCW-Turning
2	DC MOOTR (-) Voltage	
3	H/SENSOR (+) Voltage	Vcc (+) DC 5 ~ 24V
4	H/SENSOR (-) Voltage	GROUND
5	H/SENSOR #1 OUT	OPEN COLLECTOR MAX. DC 24V -50mA
6	H/SENSOR #1 OUT	

#### 20Pole 10Pulse INCREMENTAL TYPE



#### PERFORMANCE DATA

MODEL	ITEM	VOLTAGE (DC)	NO LOAD		AT MAX. EFF.		STALL		WEIGHT (g)	
			mA	rpm	gf-cm	A	rpm	A		gf-cm
KD3429S1		12V	120	5200	40	0.3	4500	1.7	360	90
KD3429S2		24V	70	5200	40	0.2	4500	1	370	
KD3429T1		12V	150	7500	40	0.5	6500	3.8	420	
KD3429T2		24V	80	7500	40	0.2	6500	1.2	320	
KD3429P1		12V	200	9500	80	1	8000	3.8	330	140
KD3429P2		24V	100	9500	40	0.3	8000	2	350	
KD3448S1		12V	150	5200	80	0.5	4500	3.2	830	
KD3448S2		24V	80	5200	80	0.3	4500	2	790	
KD3448T1		12V	220	7500	80	0.7	6500	5	730	
KD3448T2		24V	100	7500	80	0.4	6500	3	700	
KD3448P1		12V	300	9000	80	0.8	8000	5.5	670	
KD3448P2		24V	200	9000	80	0.5	8000	3.5	750	