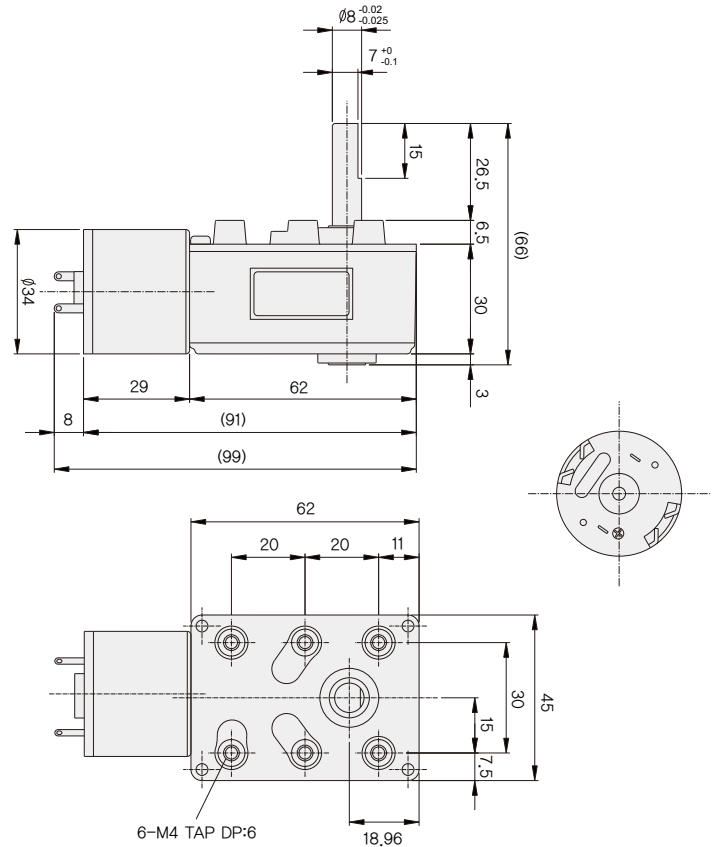


### DIMENSIONS

#### KWB-3429 SERIES



#### AT MAXIMUM EFFICIENCY

GEAR	MODEL	KD3429S1		KD3429S2		KD3429T1		KD3429T2		KD3429P1		KD3429P2	
		DC 12V		DC 24V		DC 12V		DC 24V		DC 12V		DC 24V	
		rpm	kgf-cm	rpm	kgf-cm	rpm	kgf-cm	rpm	kgf-cm	rpm	kgf-cm	rpm	kgf-cm
1/0070		64	0.5	64	0.5	92.8	0.5	92.8	0.5	114	1	114	1
1/0100		45	0.8	45	0.8	65	0.8	65	0.8	80	1.6	80	1.6
1/0130		34.6	1	34.6	1	50	1	50	1	61.5	2	61.5	2
1/0160		28	1.2	28	1.2	40.6	1.2	40.6	1.2	50	2.4	50	2.4
1/0200		22.5	1.6	22.5	1.6	32.5	1.6	32.5	1.6	40	3.2	40	3.2
1/0260		17.5	2	17.5	2	25.2	2	25.2	2	31	4	31	4
1/0330		13.6	2.3	13.6	2.3	19.6	2.3	19.6	2.3	24.2	4.6	24.2	4.6
1/0400		11.2	2.8	11.2	2.8	16.2	2.8	16.2	2.8	20	5.6	20	5.6
1/0450		10	3.1	10	3.1	14.4	3.1	14.4	3.1	17.7	6.3	17.7	6.3
1/0500		9	3.5	9	3.5	13	3.5	13	3.5	16	7	16	7
1/0600		7.5	4.2	7.5	4.2	10.8	4.2	10.8	4.2	13.3	8.4	13.3	8.4
1/0750		6	4.7	6	4.7	8.6	4.7	8.6	4.7	10.6	9.4	10.6	9.4
1/0925		4.8	5.8	4.8	5.8	7	5.8	7	5.8	8.6	11.7	8.6	11.7
1/1000		4.5	6.3	4.5	6.3	6.5	6.3	6.5	6.3	8	12.6	8	12.6
1/1800		2.5	11.3	2.5	11.3	3.6	11.3	3.6	11.3	4.4	20	4.4	11.3

\*      color gear ratios are same rotation direction with motor.

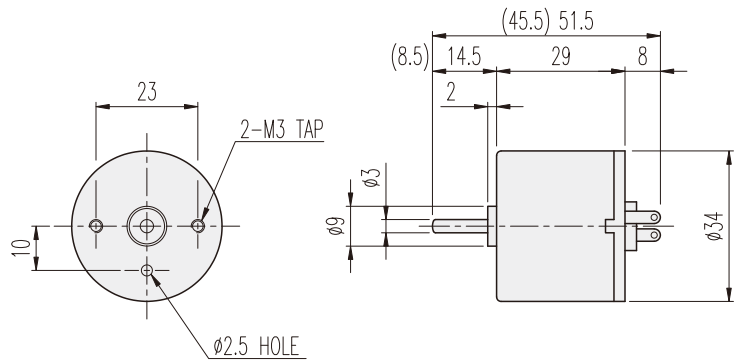
\* The standard is F-TYPE.

\* R type available.

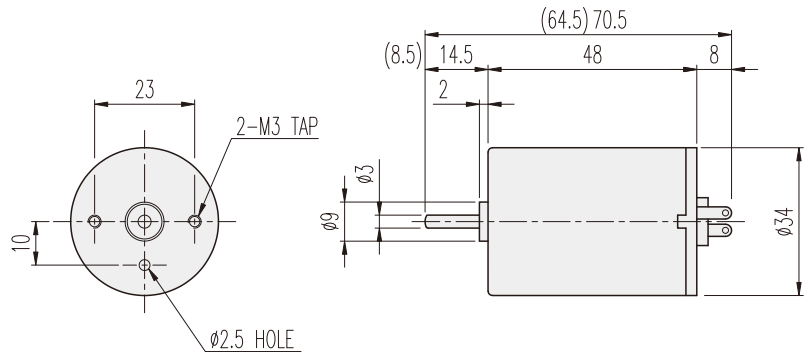
## KD□-34□□-TYPE

### DIMENSIONS

#### KD3429□□ SERIES



#### KD3448□□ SERIES



#### ENCODER SERIES

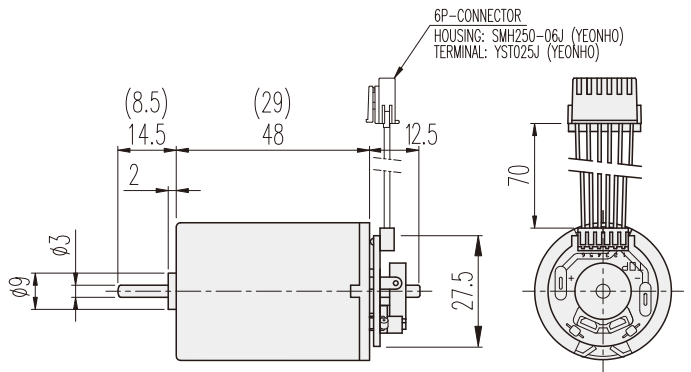
#### KD3429□□-E & 3448□□-E



#### 6P-CONNECTOR Wire connection contents

No.1	Wire connection contents	Remarks
1	DC MOOTR (+) Voltage	In case of supplying power MOTOR CCW-Turning
2	DC MOOTR (-) Voltage	
3	H/SENSOR (+) Voltage	Vcc (+) DC 5 ~ 24V
4	H/SENSOR (-) Voltage	GROUND
5	H/SENSOR #1 OUT	OPEN COLLECTOR MAX. DC 24V -50mA
6	H/SENSOR #1 OUT	

#### 20Pole 10Pulse INCREMENTAL TYPE



#### PERFORMANCE DATA

MODEL	ITEM	VOLTAGE (DC)	NO LOAD		AT MAX. EFF.		STALL		WEIGHT (g)	
			mA	rpm	gf-cm	A	rpm	A		gf-cm
KD3429S1		12V	120	5200	40	0.3	4500	1.7	360	90
KD3429S2		24V	70	5200	40	0.2	4500	1	370	
KD3429T1		12V	150	7500	40	0.5	6500	3.8	420	
KD3429T2		24V	80	7500	40	0.2	6500	1.2	320	
KD3429P1		12V	200	9500	80	1	8000	3.8	330	140
KD3429P2		24V	100	9500	40	0.3	8000	2	350	
KD3448S1		12V	150	5200	80	0.5	4500	3.2	830	
KD3448S2		24V	80	5200	80	0.3	4500	2	790	
KD3448T1		12V	220	7500	80	0.7	6500	5	730	
KD3448T2		24V	100	7500	80	0.4	6500	3	700	
KD3448P1		12V	300	9000	80	0.8	8000	5.5	670	
KD3448P2		24V	200	9000	80	0.5	8000	3.5	750	