

## INDUCTION MOTOR

**15W**

□70mm

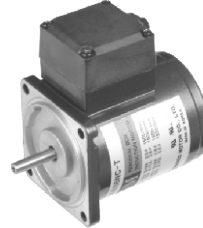
LEAD WIRE TYPE  
TERMINAL BOX TYPE

INDUCTION MOTOR

K7IS15N□



K7IS15N□-T



### SPECIFICATIONS

15W continuous rating, four poles

Model	Voltage (V)	Frequency (Hz)	Current (A)	Start T. (N·m/kgf·cm)	Rated T. (N·m/kgf·cm)	Speed (rpm)	Condenser (μF)
K7I□15NJ(-T)	100	50	0,45	0,08/0,8	0,12/1,2	1250	5
		60	0,41			1500	
K7I□15NU(-T)	110	60	0,38	0,08/0,8	0,1/1	1500	4,5
	115		0,39				
K7I□15NL(-T)	200	50	0,21	0,09/0,9	0,122/1,22	1200	1,5
		60	0,22			0,095/0,95	
K7I□15NC(-T)	220	50	0,2	0,075/0,75	0,12/1,2	1250	1
		60	0,19			0,1/1	
	230	50	0,21	0,08/0,8	0,12/1,2	1250	
		60	0,2			0,1/1	
K7I□15ND(-T)	240	50	0,23	0,085/0,85	0,12/1,2	1250	1

\* □ : SHAFT SHAPE (S : STRAIGHT, G : PINION) \* NU which are in end of the model name is UL certified ones. UL FILE NO. E204632

### RATED TORQUE OF GEARHEAD

● 50Hz

unit = above : N·m / below : Kgf·cm

Model Motor/ Gearhead	Speed(rpm)	500	416	300	250	200	166	150	120	100	83	75	60	50	41	37	30	25	20	16	15	12,5	10	8,3	7,5
	Ratio	3	3,6	5	6	7,5	9	10	12,5	15	18	20	25	30	36	40	50	60	75	90	100	120	150	180	200
K7I□15N□(-T) K7G□B(C)	0,29	0,35	0,49	0,58	0,73	0,87	0,97	1,22	1,46	1,75	1,75	2,19	2,62	3,15	3,50	3,94	4,72	5	5	5	5	5	5	5	5
	2,9	3,5	4,9	5,8	7,3	8,7	9,7	12,2	14,6	17,5	17,5	21,9	26,2	31,5	35,0	39,4	47,2	50	50	50	50	50	50	50	50

● 60Hz

unit = above : N·m / below : Kgf·cm

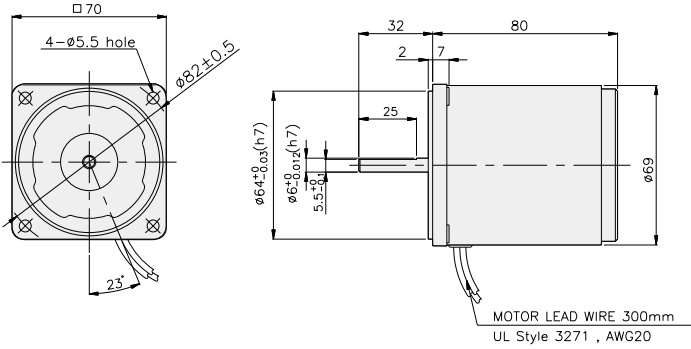
Model Motor/ Gearhead	Speed(rpm)	600	500	360	300	240	200	180	144	120	100	90	72	60	50	45	36	30	24	20	18	15	12	10	9
	Ratio	3	3,6	5	6	7,5	9	10	12,5	15	18	20	25	30	36	40	50	60	75	90	100	120	150	180	200
K7I□15N□(-T) K7G□B(C)	0,24	0,29	0,41	0,49	0,61	0,73	0,81	1,01	1,22	1,46	1,46	1,82	2,19	2,62	2,92	3,28	3,94	4,92	5	5	5	5	5	5	5
	2,4	2,9	4,1	4,9	6,1	7,3	8,1	10,1	12,2	14,6	14,6	18,2	21,9	26,2	29,2	32,8	39,4	49,2	50	50	50	50	50	50	50

- \* Gearhead and decimal gearhead are sold separately.
- \* The code in □ of gearhead model is for gear ratio.
- \*  color indicates that the output shaft of the geared motor rotates in the same direction as the output shaft of the motor. Others indicate rotation in the opposite direction.
- \* If you are to have less ratio than the ratio in the table, you can install the decimal gearhead, which has one tenth of the ratio, between the gearhead and the motor. In this case, the permissible torque is 5N·m / 50kgf·cm.
- \* RPM is based on motor's synchronous rpm (50HZ:1500rpm, 60HZ:1800rpm) and calculated by dividing gear ratio. Actual rpm is 2~20% less than indicating rpm according to load size.

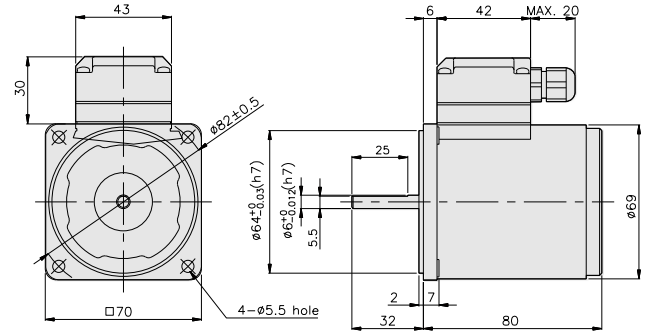
## GEARHEAD

### DIMENSIONS

K7IS15N □

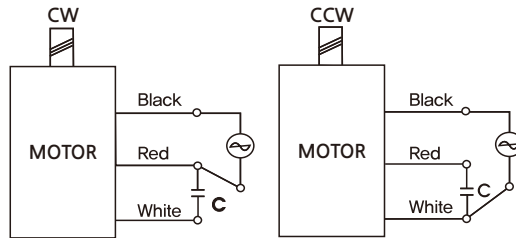


K7IS15N □-T



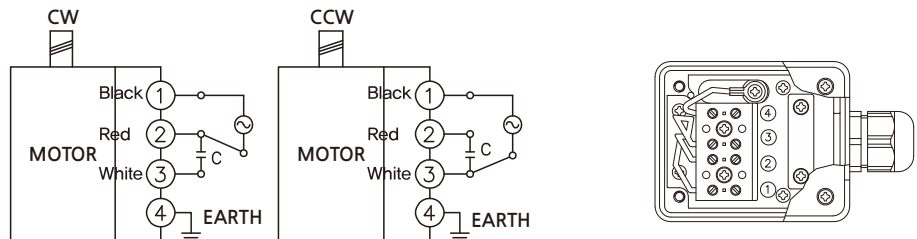
### CONNECTION DIAGRAMS

K7IS15N □



※The direction of motor rotation is as viewed from the front shaft end of the motor

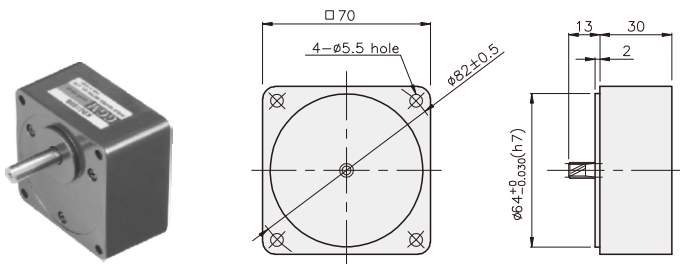
K7IS15N □-T



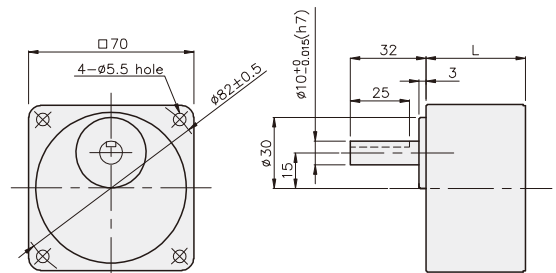
※The direction of motor rotation is as viewed from the front shaft end of the motor

### DIMENSIONS

DECIMAL GEARHEAD  
K7G10BX



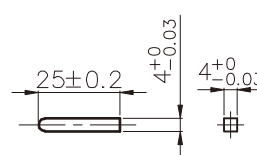
GEARHEAD  
K7G □B(C)



### KEY SPEC

● KEY

● KEY GROOVE



## GEARHEAD

### DIMENSIONS

K7IG15N□ + K7G□B(C)



K7IG15N□-T + K7G□B(C)



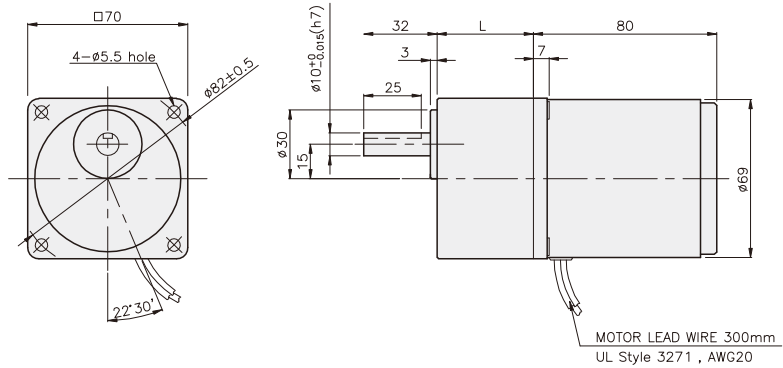
**DIMENSION TABLE**

PART No	L	Application Model	Mounting BOLT
01	32	K7G3~18B(C)	M5 P0,8 X 50
02	42	K7G20~200B(C)	M5 P0,8 X 65
03	30	K7G10BX	M5 P0,8 X 90

**WEIGHT**

PART	WEIGHT(kg)	
MOTOR	1,07	
DECIMAL GEARHEAD	0,32	
GEAR HEAD	K7G3~18B(C)	0,38
	K7G20~40B(C)	0,46
	K7G50~200B(C)	0,51

K7IG15N□ + K7G□B(C)



**DIMENSION TABLE**

PART No	L	Application Model	Mounting BOLT
01	32	K7G3~18B(C)	M5 P0,8 X 50
02	42	K7G20~200B(C)	M5 P0,8 X 65
03	30	K7G10BX	M5 P0,8 X 90

**WEIGHT**

PART	WEIGHT(kg)	
MOTOR	1,10	
DECIMAL GEARHEAD	0,32	
GEAR HEAD	K7G3~18B(C)	0,38
	K7G20~40B(C)	0,46
	K7G50~200B(C)	0,51

K7IG15N□-T + K7G□B(C)

