

INDUCTION MOTOR

120W

□90mm

**LEAD WIRE TYPE
TERMINAL BOX TYPE**

INDUCTION MOTOR

K9IS120F□



K9IS120F□-T, T5



SPECIFICATIONS

120W continuous rating, four poles

Model	Voltage (V)	Frequency (Hz)	Current (A)	Start T. (N·m/kgf·cm)	Rated T. (N·m/kgf·cm)	Speed (rpm)	Condenser (μF)
K9I□120FJ-C50(-T, -T5)	100	50	2.2	0,6/6	0,9/9	1300	35
K9I□120FJ(-T, -T5)		60		0,65/6,5	0,735/7,35	1600	
K9I□120FU(-T, -T5)	110	60	2,13	0,65/6,5	0,735/7,35	1600	30
	115		2,3	0,7/7			
K9I□120FL-C50(-T, -T5)	200	50	1,07	0,65/6,5	0,9/9	1300	8,5
K9I□120FL(-T, -T5)		60	1,22		0,6/6	1550	8
K9I□120FC-C50(-T, -T5)	220	50	0,82	0,55/5,5	0,9/9	1300	6
	230		0,85	0,6/6			
K9I□120FC(-T, -T5)	220	60	1	0,6/6	0,735/7,53	1600	7
	230		1,1	0,65/6,5			
K9I□120FD-C50(-T, -T5)	240	50	0,9	0,6/6	0,9/9	1300	6

* □ : SHAFT SHAPE (S : STRAIGHT, P : PINION) * FU which are in end of the model name is UL certified ones. UL FILE NO. E204632

RATED TORQUE OF GEARHEAD

● 50Hz

unit = above : N·m / below : Kgf·cm

Model	Speed(rpm)	500	416	300	250	200	166	150	120	100	83	75	60	50	41	37	30	25	20	16	15	12.5	10	8.3	7.5
Motor/ Gearhead	Ratio	3	3.6	5	6	7.5	9	10	12.5	15	18	20	25	30	36	40	50	60	75	90	100	120	150	180	200
K9I□120F□(-T, -T5) K9P□B, BF		2.19	2.62	3.65	4.37	5.47	6.56	7.29	8.20	9.84	11.81	13.12	14.76	17.7	20	20	20	20	20	20	20	20	20	20	20
		219	262	365	437	547	656	729	820	984	1181	1312	1476	177	200	200	200	200	200	200	200	200	200	200	200

● 60Hz

unit = above : N·m / below : Kgf·cm

Model	Speed(rpm)	600	500	360	300	240	200	180	144	120	100	90	72	60	50	45	36	30	24	20	18	15	12	10	9
Motor/ Gearhead	Ratio	3	3.6	5	6	7.5	9	10	12.5	15	18	20	25	30	36	40	50	60	75	90	100	120	150	180	200
K9I□120F□(-T, -T5) K9P□B, BF		1.79	2.14	2.98	3.57	4.47	5.36	5.95	6.70	8.04	9.64	10.72	12.06	14.5	17.4	19.3	20	20	20	20	20	20	20	20	20
		179	214	298	357	447	536	595	670	804	964	1072	1206	145	174	193	200	200	200	200	200	200	200	200	200

* Gearhead and decimal gearhead are sold separately.

* The code in □ of gearhead model is for gear ratio.

* color indicates that the output shaft of the geared motor rotates in the same direction as the output shaft of the motor. Others indicate rotation in the opposite direction.

* If you are to have less ratio than the ratio in the table, you can install the decimal gearhead, which has one tenth of the ratio, between the gearhead and the motor. In this case, the permissible torque is 20N·m/200kgf·cm.

* RPM is based on motor's synchronous rpm (50HZ:1500rpm, 60HZ:1800rpm) and calculated by dividing gear ratio. Actual rpm is 2~20% less than indicating rpm according to load size.

GEARHEAD

RATED TORQUE OF GEARHEAD

● 50Hz

unit = above : N·m / below : Kg·cm

Model Motor/ Gearhead	Speed(rpm)	500	416	300	250	200	166	150	120	100	83	75	60	50	41	37	30	25	20	16	15	13	10	8,3	7,5
	Ratio	3	3,6	5	6	7,5	9	10	12,5	15	18	20	25	30	36	40	50	60	75	90	100	120	150	180	200
K9I□120F□(-T, -T5) K9P□BU, BUF		2,19	2,62	3,65	4,37	5,47	6,56	7,29	8,20	9,84	11,81	13,12	14,76	17,71	21,26	23,62	29,52	30	30	30	30	30	30	30	30
		21,9	26,2	36,5	43,7	54,7	65,6	72,9	82,0	98,4	118,1	131,2	147,6	177,1	212,6	236,2	295,2	300	300	300	300	300	300	300	300

● 60Hz

unit = above : N·m / below : Kg·cm

Model Motor/ Gearhead	Speed(rpm)	600	500	360	300	240	200	180	144	120	100	90	72	60	50	45	36	30	24	20	18	15	12	10	9
	Ratio	3	3,6	5	6	7,5	9	10	12,5	15	18	20	25	30	36	40	50	60	75	90	100	120	150	180	200
K9I□120F□(-T, -T5) K9P□BU, BUF		1,79	2,14	2,98	3,57	4,47	5,36	5,95	6,70	8,04	9,64	10,72	12,06	14,47	17,36	19,29	24,11	28,93	30	30	30	30	30	30	30
		17,9	21,4	29,8	35,7	44,7	53,6	59,5	67,0	80,4	96,4	107,2	120,6	144,7	173,6	192,9	241,1	289,3	300	300	300	300	300	300	300

* Gearhead and decimal gearhead are sold separately.

* The code in □ of gearhead model is for gear ratio.

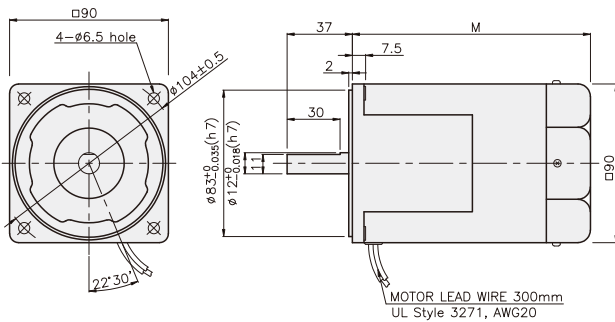
* color indicates that the output shaft of the geared motor rotates in the same direction as the output shaft of the motor. Others indicate rotation in the opposite direction.

* If you are to have less ratio than the ratio in the table, you can install the decimal gearhead, which has one tenth of the ratio, between the gearhead and the motor. In this case, the permissible torque is 30N·m/300kgf·cm.

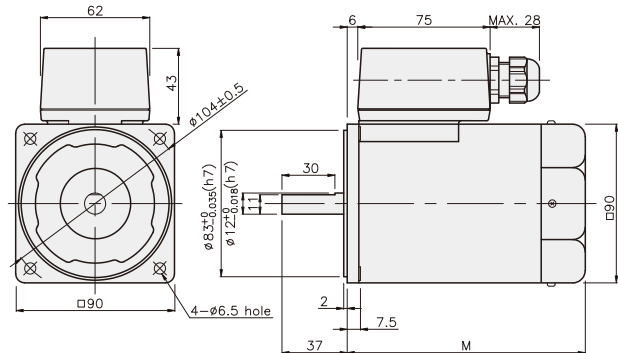
* RPM is based on motor's synchronous rpm (50Hz:1500rpm, 60Hz:1800rpm) and calculated by dividing gear ratio. Actual rpm is 2~20% less than indicating rpm according to load size.

DIMENSIONS

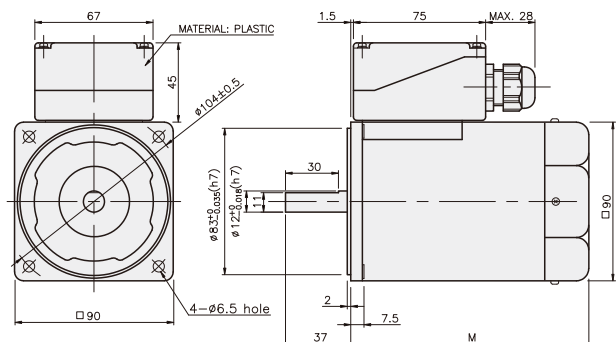
K9IS120F□



K9IS120F□-T



K9IS120F□-T5



DIMENSION TABLE

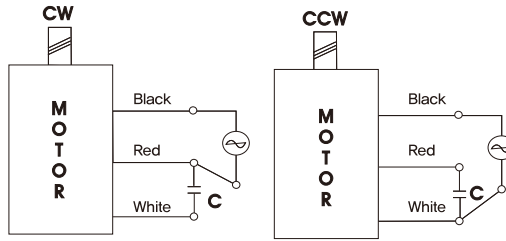
PART No	M	Application Model
K9IS120F□-C50	155	50Hz
K9IS120F□	135	60Hz

※ 50Hz motor is "C50" added to model number.

GEARHEAD

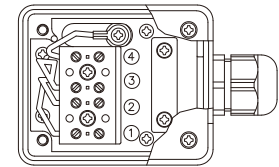
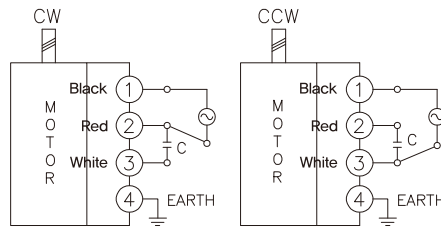
CONNECTION DIAGRAMS

K9IS120F□



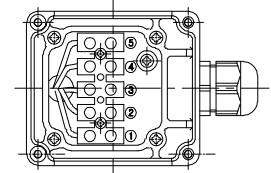
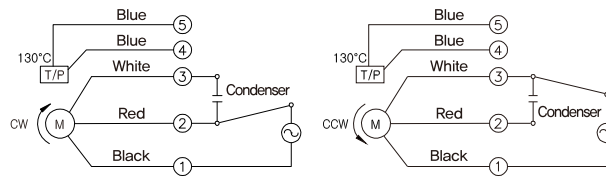
The direction of motor rotation is as viewed from the front shaft end of the motor

K9IS120F□-T



The direction of motor rotation is as viewed from the front shaft end of the motor

K9IS120F□-T5



The direction of motor rotation is as viewed from the front shaft end of the motor

GEARHEAD

DIMENSIONS

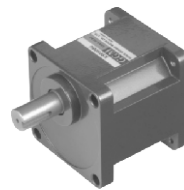
K9P□B



K9P□BF, BUF

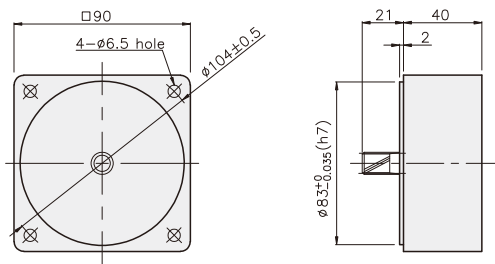


K9P□BU

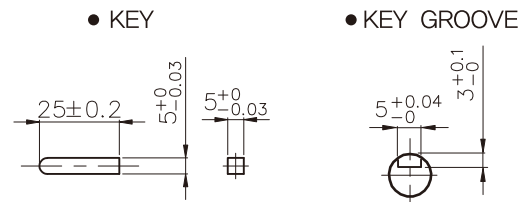


DECIMAL GEARHEAD

K9P10BX

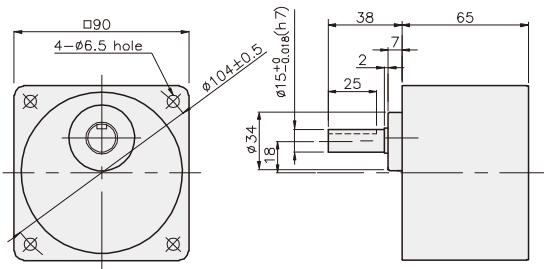


KEY SPEC

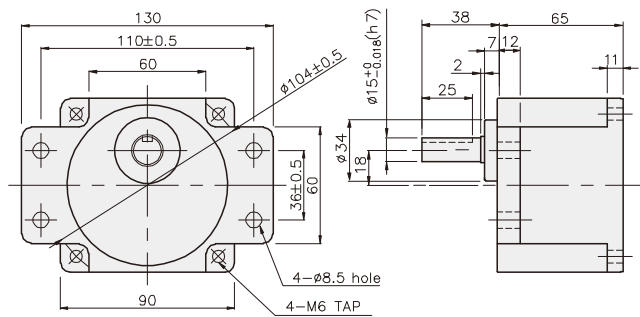


GEARHEAD

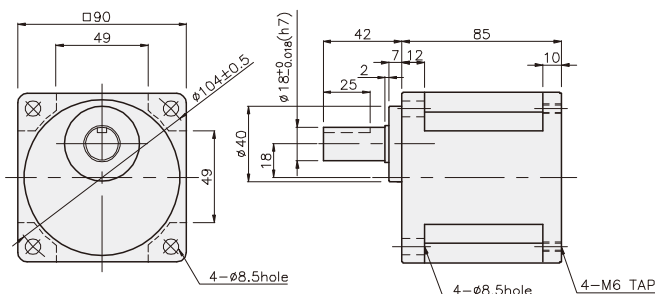
K9P□B



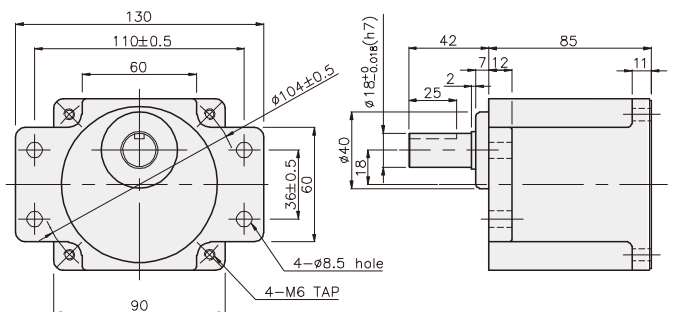
K9P□BF



K9P□BU



K9P□BUF



GEARHEAD

DIMENSIONS

K9IP120F□ + K9P□B



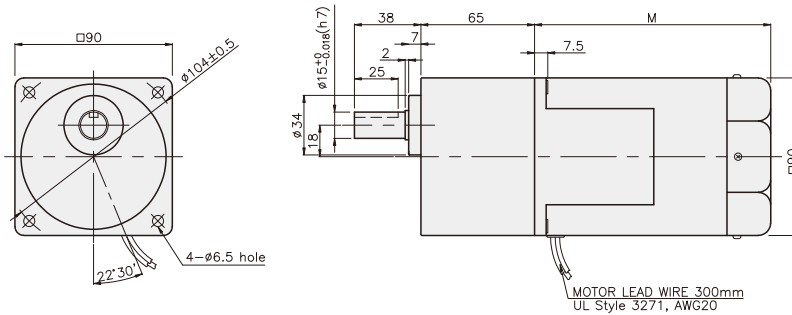
K9IP120F□ + K9P□BF, BUF



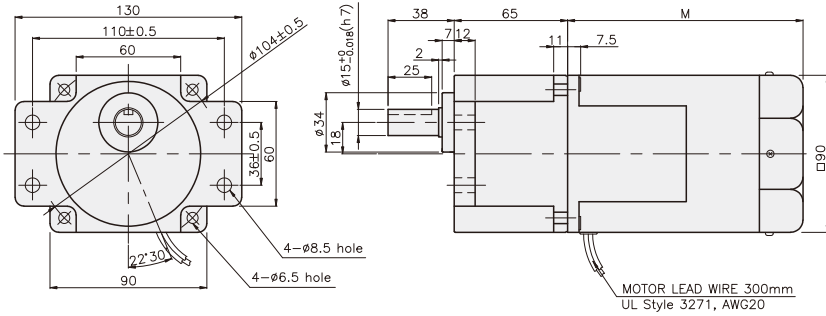
K9IP120F□ + K9P□BU



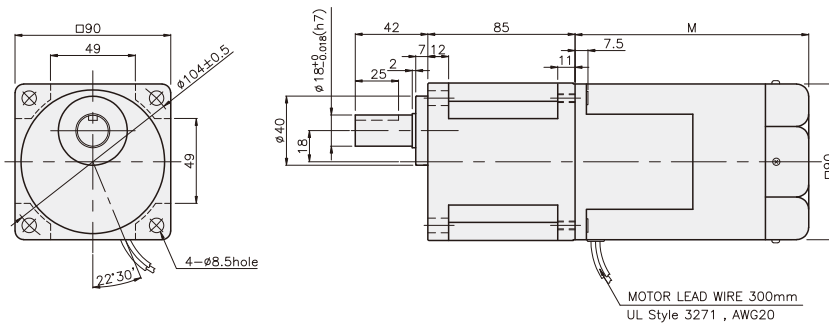
K9IP120F□ + K9P□B



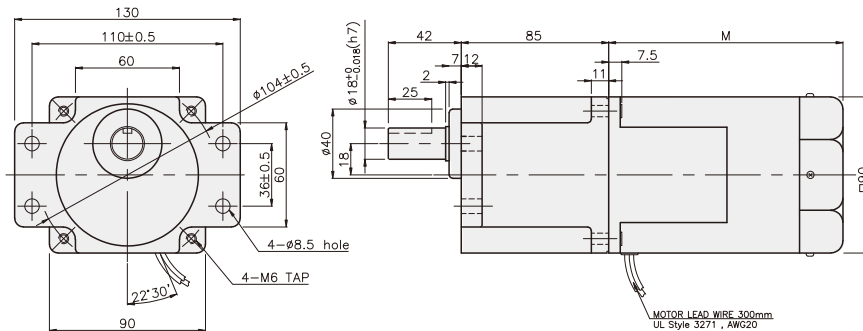
K9IP120F□ + K9P□BF



K9IP120F□ + K9P□BU



K9IP120F□ + K9P□BUF



WEIGHT

PART	WEIGHT(kg)
MOTOR	3,72
DECIMAL GEARHEAD	0,62

DIMENSION TABLE

PART No	M	Application Model
01	155	50Hz
02	135	60Hz

DIMENSION TABLE

PART No	Application Model	Mounting BOLT
01	K9P3~200B	M6 P1,0 X 95
02	K9P10BX	M6 P1,0 X 140

WEIGHT

PART	WEIGHT(kg)
K9P3~10B	1,22
K9P12,5~20B	1,32
K9P25~60B	1,42
K9P75~200B	1,45

DIMENSION TABLE

PART No	Application Model	Mounting BOLT
01	K9P3~200BF	M6 P1,0 X 20
02	K9P10BX	M6 P1,0 X 65

WEIGHT

PART	WEIGHT(kg)
K9P3~10BF	1,22
K9P12,5~20BF	1,30
K9P25~60BF	1,42
K9P75~200BF	1,44

DIMENSION TABLE

PART No	Application Model	Mounting BOLT
01	K9P3~200BU	M6 P1,0 X 20
02	K9P10BX	M6 P1,0 X 65

WEIGHT

PART	WEIGHT(kg)
K9P3~10BU	1,44
K9P12,5~20BU	1,55
K9P25~60BU	1,69
K9P75~200BU	1,74

DIMENSION TABLE

PART No	Application Model	Mounting BOLT
01	K9P3~200BUF	M6 P1,0 X 20
02	K9P10BX	M6 P1,0 X 65

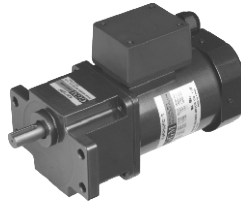
WEIGHT

PART	WEIGHT(kg)
K9P3~10BUF	1,50
K9P12,5~20BUF	1,62
K9P25~60BUF	1,76
K9P75~200BUF	1,82

GEARHEAD

DIMENSIONS

K9IP120F□-T + K9P□B K9IP120F□-T + K9P□BF, BUF K9IP120F□-T + K9P□BU



WEIGHT

PART	WEIGHT(kg)
MOTOR	3,90(50Hz)
	3,20(60Hz)
DECIMAL GEARHEAD	0,62

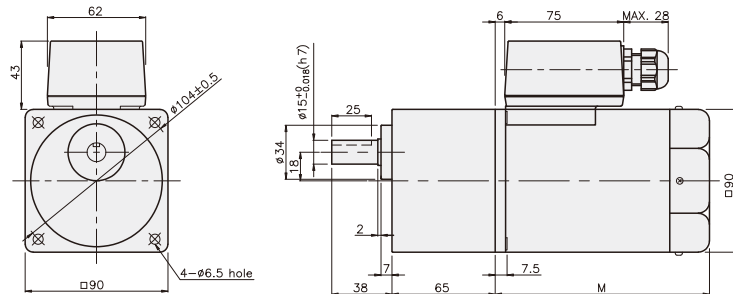
DIMENSION TABLE

PART No	M	Application Model
01	155	50Hz
02	135	60Hz

DIMENSION TABLE

PART No	Application Model	Mounting BOLT
01	K9P3~200B	M6 P1,0 X 95
02	K9P10BX	M6 P1,0 X 140

K9IP120F□-T + K9P□B



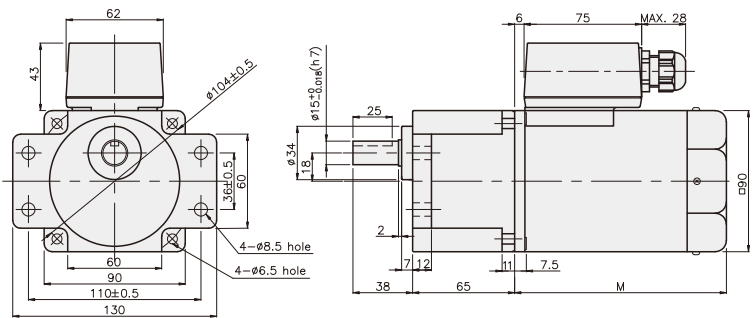
WEIGHT

PART	WEIGHT(kg)
K9P3~10B	1,22
K9P12,5~20B	1,32
K9P25~60B	1,42
K9P75~200B	1,45

DIMENSION TABLE

PART No	Application Model	Mounting BOLT
01	K9P3~200BF	M6 P1,0 X 20
02	K9P10BX	M6 P1,0 X 65

K9IP120F□-T + K9P□BF



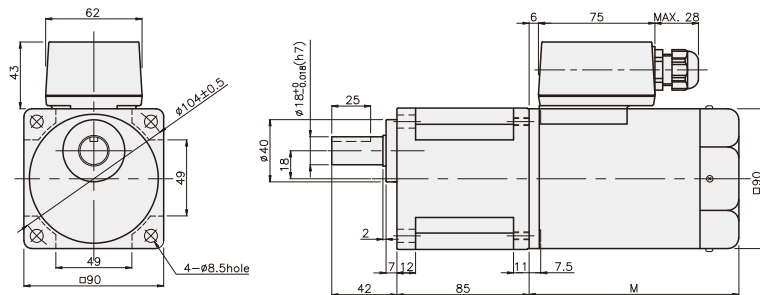
WEIGHT

PART	WEIGHT(kg)
K9P3~10BF	1,22
K9P12,5~20BF	1,30
K9P25~60BF	1,42
K9P75~200BF	1,44

DIMENSION TABLE

PART No	Application Model	Mounting BOLT
01	K9P3~200BU	M6 P1,0 X 20
02	K9P10BX	M6 P1,0 X 65

K9IP120F□-T + K9P□BU



WEIGHT

PART	WEIGHT(kg)
K9P3~10BU	1,44
K9P12,5~20BU	1,55
K9P25~60BU	1,69
K9P75~200BU	1,74

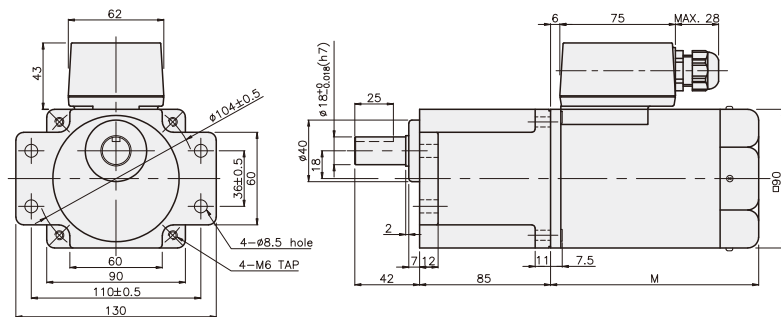
DIMENSION TABLE

PART No	Application Model	Mounting BOLT
01	K9P3~200BUF	M6 P1,0 X 20
02	K9P10BX	M6 P1,0 X 65

WEIGHT

PART	WEIGHT(kg)
K9P3~10BUF	1,50
K9P12,5~20BUF	1,62
K9P25~60BUF	1,76
K9P75~200BUF	1,82

K9IP120F□-T + K9P□BUF



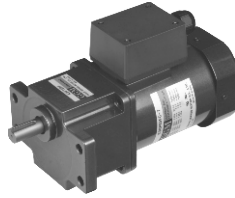
GEARHEAD

DIMENSIONS

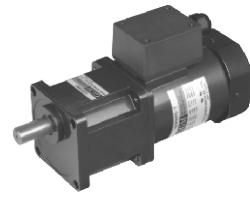
K9IP120F□-T5 + K9P□B



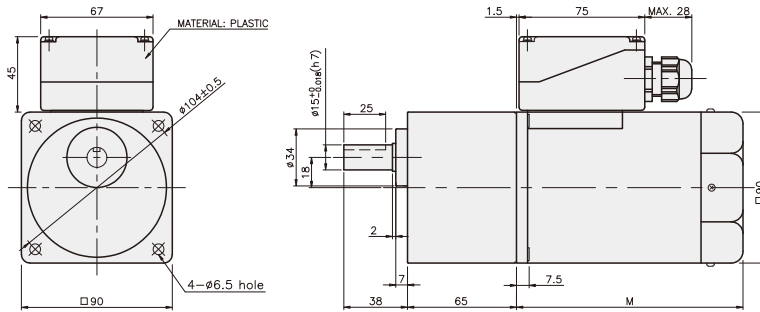
K9IP120F□-T5 + K9P□BF, BUF



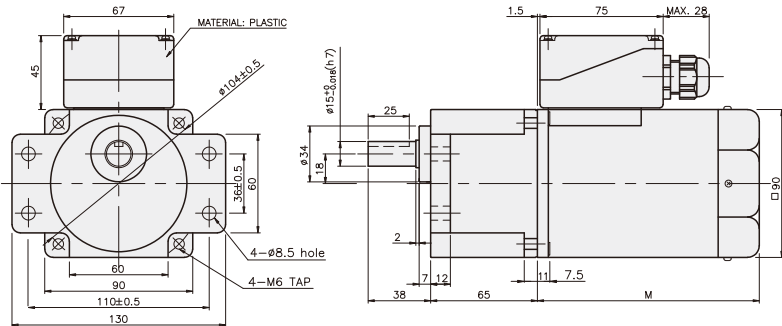
K9IP120F□-T5 + K9P□BU



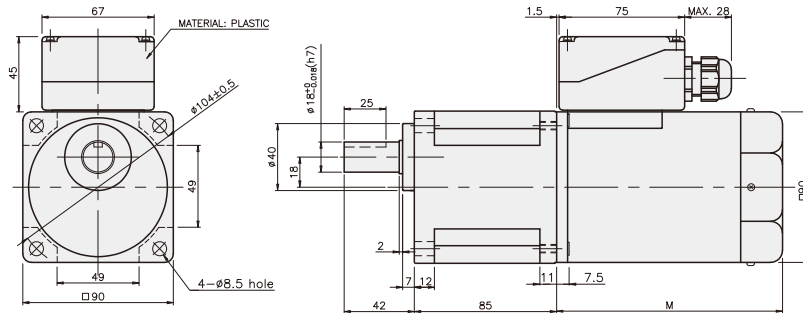
K9IP120F□-T5 + K9P□B



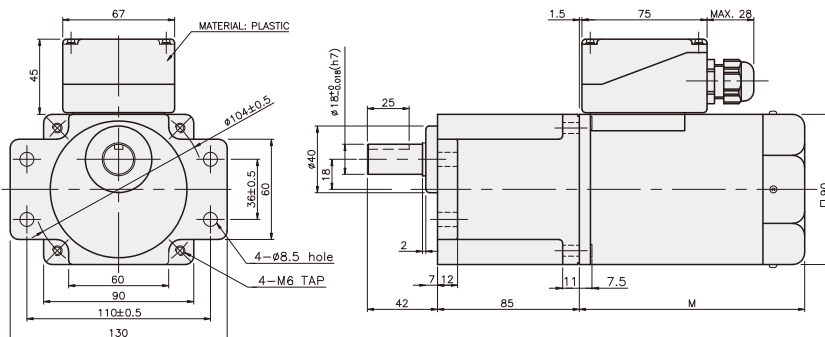
K9IP120F□-T5 + K9P□BF



K9IP120F□-T5 + K9P□BU



K9IP120F□-T5 + K9P□BUF



WEIGHT

PART	WEIGHT(kg)
MOTOR	3,90(50Hz)
	3,20(60Hz)
DECIMAL GEARHEAD	0,62

DIMENSION TABLE

PART No	M	Mounting BOLT
01	155	50Hz
02	135	60Hz

DIMENSION TABLE

PART No	Application Model	Mounting BOLT
01	K9P3~200B	M6 P1,0 X 95
02	K9P10BX	M6 P1,0 X 140

WEIGHT

PART	WEIGHT(kg)
K9P3~10B	1,22
K9P12,5~20B	1,32
K9P25~60B	1,42
K9P75~200B	1,45

DIMENSION TABLE

PART No	Application Model	Mounting BOLT
01	K9P3~200BF	M6 P1,0 X 20
02	K9P10BX	M6 P1,0 X 65

WEIGHT

PART	WEIGHT(kg)
K9P3~10BF	1,22
K9P12,5~20BF	1,30
K9P25~60BF	1,42
K9P75~200BF	1,44

DIMENSION TABLE

PART No	Application Model	Mounting BOLT
01	K9P3~200BU	M6 P1,0 X 20
02	K9P10BX	M6 P1,0 X 65

WEIGHT

PART	WEIGHT(kg)
K9P3~10BU	1,44
K9P12,5~20BU	1,55
K9P25~60BU	1,69
K9P75~200BU	1,74

DIMENSION TABLE

PART No	Application Model	Mounting BOLT
01	K9P3~200BUF	M6 P1,0 X 20
02	K9P10BX	M6 P1,0 X 65

WEIGHT

PART	WEIGHT(kg)
K9P3~10BUF	1,50
K9P12,5~20BUF	1,62
K9P25~60BUF	1,76
K9P75~200BUF	1,82