

INDUCTION MOTOR

200W

□104mm

LEAD WIRE TYPE
TERMINAL BOX TYPE

INDUCTION MOTOR

K10IS200F□



K10IS200F□-T, T5



SPECIFICATIONS

200W continuous rating, four poles

Model		Voltage (V)	Frequency (Hz)	Current (A)	Start T. (N·m/kgf·cm)	Rated T. (N·m/kgf·cm)	Speed (rpm)	Condenser (μF)
K10□200FL(-T,-T5)	single-phase	200	50	1.65	0.88/8.8 single-phase	1.56/15.6	1250	12
			60			1.26/12.6	1550	
K10□200FC(-T,-T5)		220	50	1.55	0.88/8.8	1.5/15	1300	10
			60			1.22/12.2	1600	
		230	50	1.60	0.98/9.8	1.5/15	1300	
			60			1.22/12.2	1600	
K10□200FH(-T,-T5)	three-phase	220	50	1.10	3.4/34	1.5/15	1300	-
			60	1.00	2.5/25	1.22/12.2	1600	
		230	50	1.05	3.6/36	1.5/15	1300	
			60	0.95	2.8/28	1.22/12.2	1600	

* □ : SHAFT SHAPE (S : STRAIGHT, H : HIGH STRENGTH)

* 3 phase motor for over 380 voltage can't be used with inverter. Motor winding insulation can be damaged.

RATED TORQUE OF GEARHEAD

● 50Hz

unit = above : N·m / below : Kgf·cm

Model	Speed(rpm)	500	416	300	250	200	166	150	120	100	83	75	60	50	41	37	30	25	20	16	15	13	10	8.3	7.5
Motor/ Gearhead	Ratio	3	3.6	5	6	7.5	9	10	12.5	15	18	20	25	30	36	40	50	60	75	90	100	120	150	180	200
K10□200F(-T, -T5) K10H□B	4.21	5.05	7.01	8.41	10.52	12.62	14.02	16.75	20.10	24.12	26.80	33.50	40	40	40	40	40	40	40	40	40	40	40	40	40
	42.1	50.5	70.1	84.1	105.2	126.2	140.2	167.5	201.0	241.2	268.0	335.0	400	400	400	400	400	400	400	400	400	400	400	400	400

● 60Hz

unit = above : N·m / below : Kgf·cm

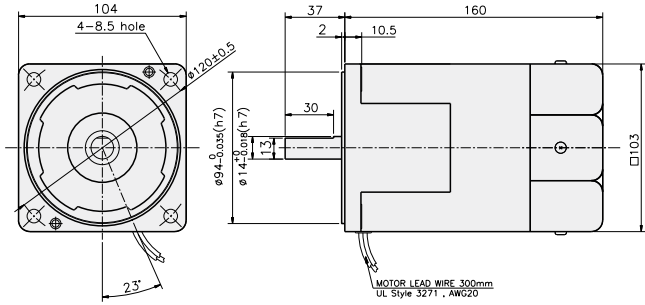
Model	Speed(rpm)	600	500	360	300	240	200	180	144	120	100	90	72	60	50	45	36	30	24	20	18	15	12	10	9
Motor/ Gearhead	Ratio	3	3.6	5	6	7.5	9	10	12.5	15	18	20	25	30	36	40	50	60	75	90	100	120	150	180	200
K10□200F(-T, -T5) K10H□B	3.39	4.07	5.65	6.78	8.48	10.18	11.31	13.51	16.21	19.45	21.61	27.01	32.42	38.90	40	40	40	40	40	40	40	40	40	40	40
	33.9	40.7	56.5	67.8	84.8	101.8	113.1	135.1	162.1	194.5	216.1	270.1	324.2	389.0	400	400	400	400	400	400	400	400	400	400	400

- * Gearhead shaft has tap hole to mount conveniently.
- * Gearhead is sold separately. (There's no decimal gearhead)
- * The code in □ of gearhead model is for gear ratio.
- * color indicates that the output shaft of the geared motor rotates in the same direction as the output shaft of the motor. Others indicate rotation in the opposite direction.
- * RPM is based on motor's synchronous rpm (50Hz : 1500rpm, 60Hz : 1800rpm) and calculated by dividing gear ratio. Actual rpm is 2~20% less than indicating rpm according to load size.

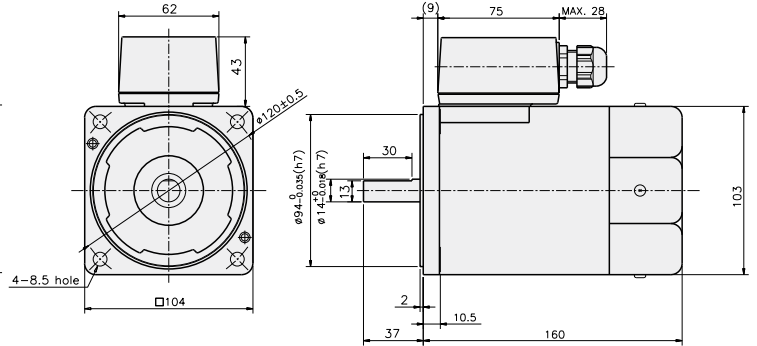
GEARHEAD

DIMENSIONS

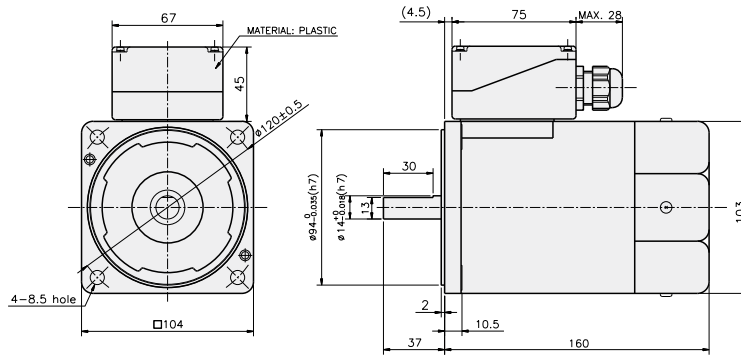
K10IS200F □



K10IS200F □-T

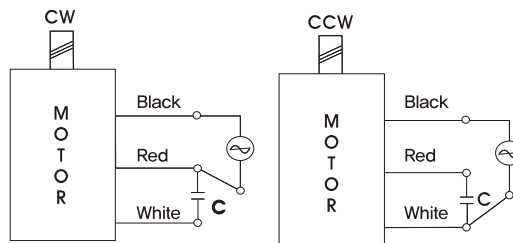


K10IS200F □-T5



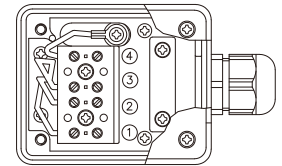
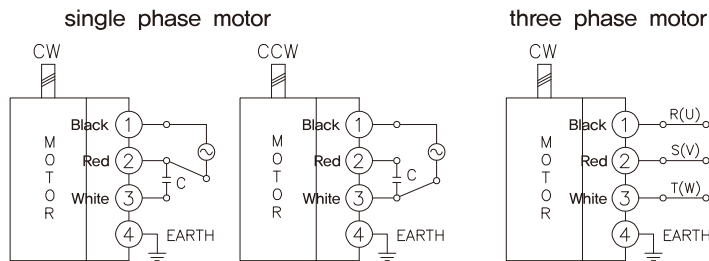
CONNECTION DIAGRAMS

K10IS200F □



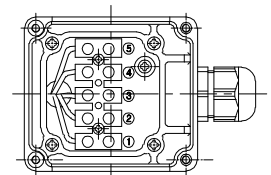
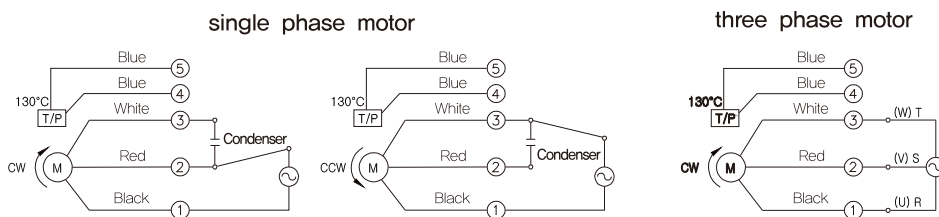
※The direction of motor rotation is as viewed from the front shaft end of the motor

K10IS200F □-T



※The direction of motor rotation is as viewed from the front shaft end of the motor

K10IS200F □-T5



※The direction of motor rotation is as viewed from the front shaft end of the motor connecting two leadwires of U,V,W in turns

GEARHEAD

DIMENSIONS

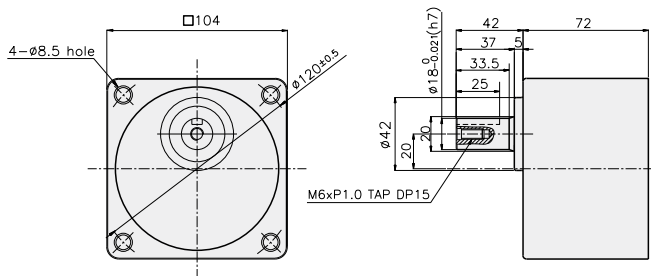
K10H□B



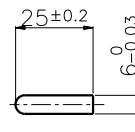
GEARHEAD

K10H□B

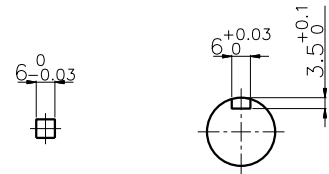
KEY SPEC



● KEY



● KEY GROOVE



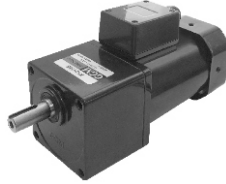
GEARHEAD

DIMENSIONS

K10IH200F□ + K10H□B



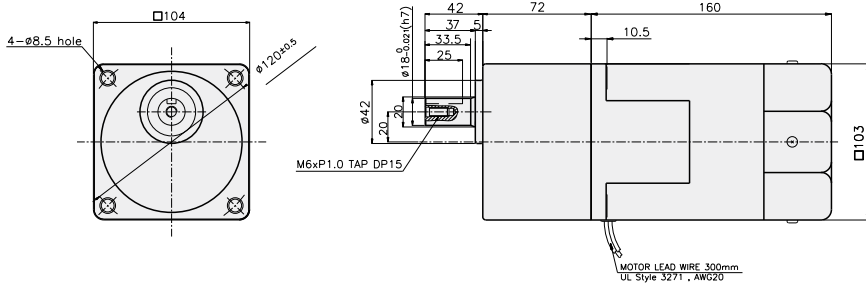
K10IH200F□-T + K10H□B



K10IH200F□-T5 + K10H□B



K10IH200F□ + K10H□B



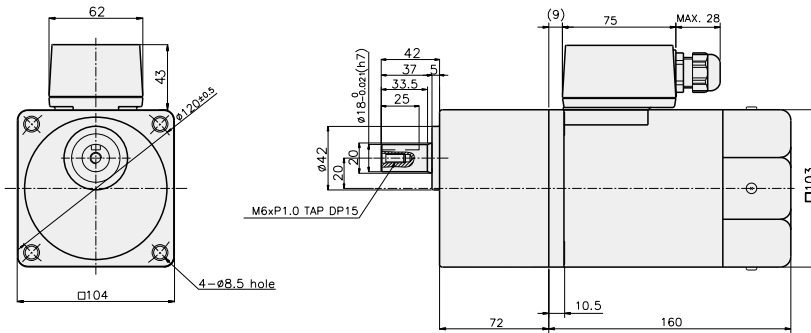
WEIGHT

PART		WEIGHT(kg)
MOTOR		4,70
GEAR HEAD	K10H3~10B	1,80
	K10H12,5~40B	2,00
	K10H50~200B	2,20

DIMENSION TABLE

PART No	Application Model	Mounting BOLT
01	K10H3~200B	M8 P1,25 X 100

K10IH200F□-T + K10H□B



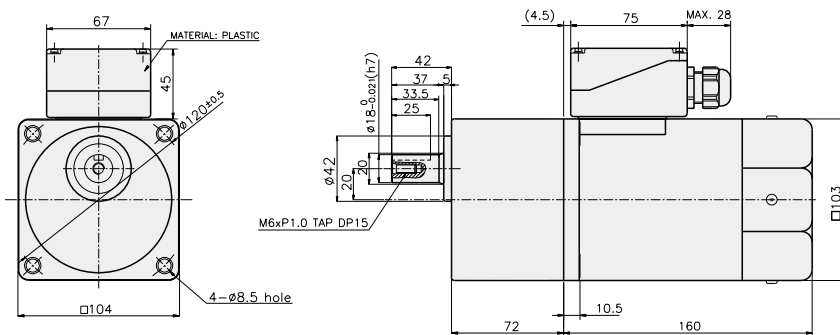
WEIGHT

PART		WEIGHT(kg)
MOTOR		4,88
GEAR HEAD	K10H3~10B	1,80
	K10H12,5~40B	2,00
	K10H50~200B	2,20

DIMENSION TABLE

PART No	Application Model	Mounting BOLT
01	K10H3~200B	M8 P1,25 X 100

K10IH200F□-T5 + K10H□B



WEIGHT

PART		WEIGHT(kg)
MOTOR		4,88
GEAR HEAD	K10H3~10B	1,80
	K10H12,5~40B	2,00
	K10H50~200B	2,20

DIMENSION TABLE

PART No	Application Model	Mounting BOLT
01	K10H3~200B	M8 P1,25 X 100