

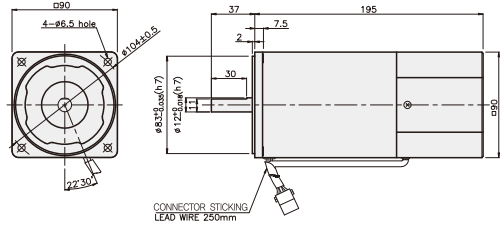
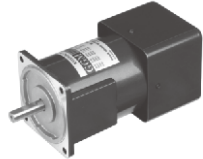
SPEED CONTROL MOTOR - SU SERIES

180W

□90mm

INDUCTION MOTOR

K9IS180F□-SU



SPECIFICATIONS

180W continuous rating, four poles

Model	Voltage (V)	Frequency (Hz)	Speed Range (rpm)	Permissible Torque		Start T. (N*m/Kgf*cm)	Current (A)	Condenser (μF)
				1200rpm (N*m/Kgf*cm)	90rpm (N*m/Kgf*cm)			
K9I□180FJ-SU	100	50	90 ~ 1400	0.9/9	0.35/3.5	0.6/6	5.2	50
		60	90 ~ 1700			0.65/6.5		
K9I□180FU-SU	110	60	90 ~ 1700	0.9/9	0.35/3.5	0.52/5.2	4.8	35
	115					0.55/5.5		
K9I□180FL-SU	200	50	90 ~ 1400	0.9/9	0.3/3	0.5/5	2.2	12
		60	90 ~ 1700			0.42/4.2		
K9I□180FC-SU	220	50	90 ~ 1400	0.9/9	0.3/3	0.45/4.5	2.2	8
		60	90 ~ 1700			0.42/4.2		
	230	50	90 ~ 1400	1/10	0.33/3.3	0.53/5.3	2.4	
		60	90 ~ 1700			0.5/5		
K9I□180FD-SU	240	50	90 ~ 1400	1/10	0.33/3.3	0.6/6	2	8

※ □ : SHAFT SHAPE (S : STRAIGHT, P : PINION)

RATED TORQUE OF GEARHEAD

● Single-phase 100V/115V

unit = above : N·m / below : Kgf·cm

Model	Ratio	Speed(rpm)																							
		3	3.6	5	6	7.5	9	10	12.5	15	18	20	25	30	36	40	50	60	75	90	100	120	150	180	200
K9I□180F□-SU K9P□BU, BUF	1200	2.19 21.9	2.62 26.2	3.65 36.5	4.37 43.7	5.47 54.7	6.56 65.6	7.29 72.9	8.20 82.0	9.84 98.4	11.81 118.1	13.12 131.2	14.76 147.6	17.71 177.1	21.26 212.6	23.62 236.2	29.52 295.2	30 300	30 300	30 300	30 300	30 300	30 300	30 300	30 300
	90	0.85 8.5	1.02 10.2	1.42 14.2	1.70 17.0	2.13 21.3	2.55 25.5	2.84 28.4	3.19 31.9	3.83 38.3	4.59 45.9	5.10 51.0	5.74 57.4	6.89 68.9	8.27 82.7	9.19 91.9	11.48 114.8	13.78 137.8	15.50 155.0	18.60 186.0	20.67 206.7	24.80 248.0	30 300	30 300	30 300

● Single-phase 200V/240V

unit = above : N·m / below : Kgf·cm

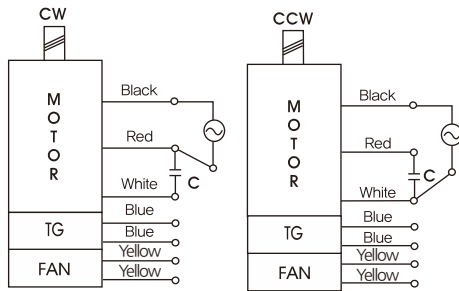
Model	Ratio	Speed(rpm)																							
		3	3.6	5	6	7.5	9	10	12.5	15	18	20	25	30	36	40	50	60	75	90	100	120	150	180	200
K9I□180F□-SU K9P□BU, BUF	1200	200V/220V 50Hz/60Hz	2.19 21.9	2.62 26.2	3.65 36.5	4.37 43.7	5.47 54.7	6.56 65.6	7.29 72.9	8.20 82.0	9.84 98.4	11.81 118.1	13.12 131.2	14.76 147.6	17.71 177.1	21.26 212.6	23.62 236.2	29.52 295.2	30 300	30 300	30 300	30 300	30 300	30 300	30 300
		230V/50Hz/60Hz 240/50Hz	2.43 24.3	2.92 29.2	4.05 40.5	4.86 48.6	6.08 60.8	7.29 72.9	8.10 81.0	3.19 31.9	10.94 109.4	13.12 131.2	14.58 145.8	16.40 164.0	19.68 197	23.62 236	26.24 262	30 300	30 300	30 300	30 300	30 300	30 300	30 300	30 300
	90	200V/220V 50Hz/60Hz	0.73 7.3	0.87 8.7	1.22 12.2	1.46 14.6	1.82 18.2	2.19 21.9	2.43 24.3	2.73 27.3	3.28 32.8	3.94 39.4	4.37 43.7	4.92 49.2	5.90 59.0	7.09 70.9	7.87 78.7	9.84 98.4	11.81 118.1	13.29 132.9	15.94 159.4	17.71 177.1	21.26 212.6	26.57 265.7	30 300
		230V/50Hz/60Hz 240/50Hz	0.80 8.0	0.96 9.6	1.34 13.4	1.60 16.0	2.00 20.0	2.41 24.1	2.41 24.1	3.34 33.4	4.01 40.1	4.81 48.1	5.35 53.5	5.41 54.1	6.50 65.0	7.79 77.9	8.66 86.6	10.83 108.3	12.99 129.2	14.61 146.1	17.54 175.4	19.49 194.9	23.38 233.8	29.23 292.3	30 300

- * Gearhead and decimal gearhead are sold separately.
- * The code in □ of gearhead model is for gear ratio.
- * ■ color indicates that the output shaft of the geared motor rotates in the same direction as the output shaft of the motor, Others indicate rotation in the opposite direction.
- * If you are to have less ratio than the ratio in the table, you can install the decimal gearhead, which has one tenth of the ratio, between the gearhead and the motor. In this case, the permissible torque is 30N·m/300kgf·cm.
- * RPM is based on motor's synchronous rpm (50HZ:1500rpm, 60HZ:1800rpm) and calculated by dividing gear ratio. Actual rpm is 2~20% less than indicating rpm according to load size.

SPEED CONTROL MOTOR - SU SERIES

GEARHEADS

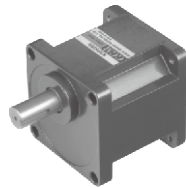
CONNECTION DIAGRAMS



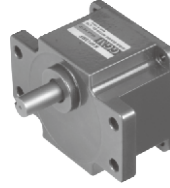
※The direction of motor rotation is as viewed from the front shaft end of the motor

DIMENSIONS

K9P□BU

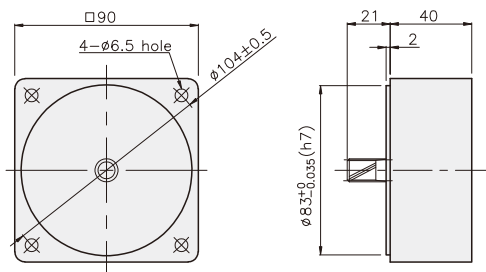


K9P□BUF



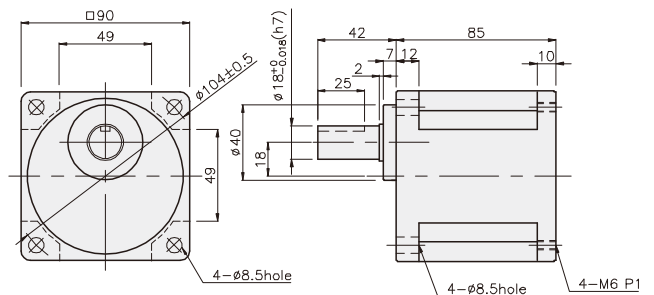
DECIMAL GEARHEAD

K9P10BX



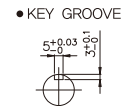
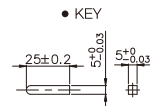
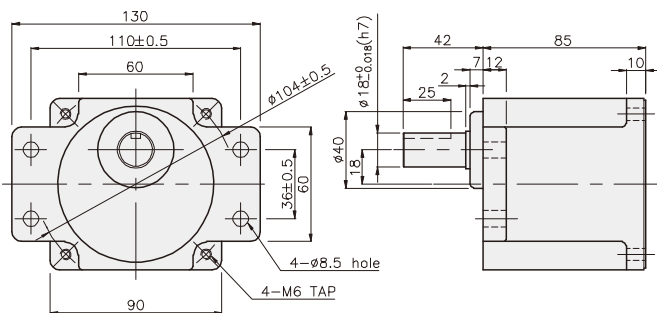
GEARHEAD

K9P□BU



GEARHEAD

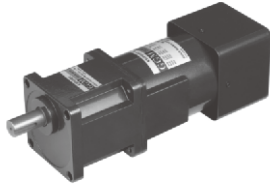
K9P□BUF



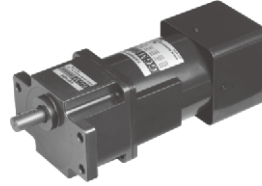
GEARHEADS

DIMENSIONS

K9IP180F□-SU + K9P□BU



K9IP180F□-SU + K9P□BUF



WEIGHT

PART	WEIGHT(kg)
MOTOR	4,24
DECIMAL GEAR HEAD	0,62

DIMENSION TABLE

PART No.	L	Application Model	Mounting BOLT
01	85	K9P3~200B	M6 P1,0 X 20
02	40	K9P10BX	M6 P1,0 X 60

WEIGHT

PART	WEIGHT(kg)
K9P3~10BU	1,44
K9P12,5~20BU	1,55
K9P25~60BU	1,69
K9P75~200BU	1,74

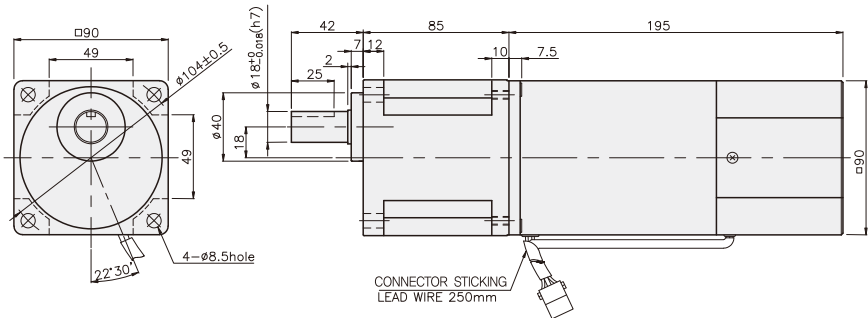
DIMENSION TABLE

PART No.	L	Application Model	Mounting BOLT
01	85	K9P3~200BUF	M6 P1,0 X 20
02	40	K9P10BX	M6 P1,0 X 60

WEIGHT

PART	WEIGHT(kg)
K9P3~10BUF	1,50
K9P12,5~20BUF	1,62
K9P25~60BUF	1,76
K9P75~200BUF	1,82

K9IP180F□-SU + K9P□BU



K9IP180F□-SU + K9P□BUF

