

OPEN TYPE MOTOR

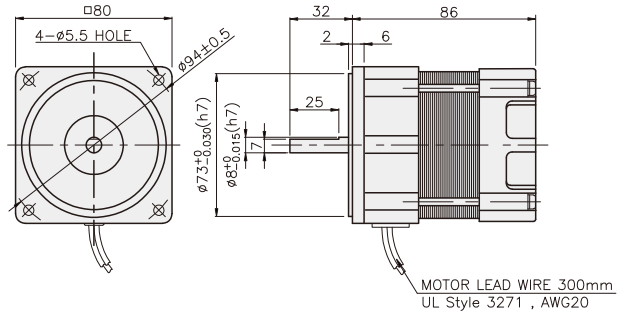
25W

□80mm

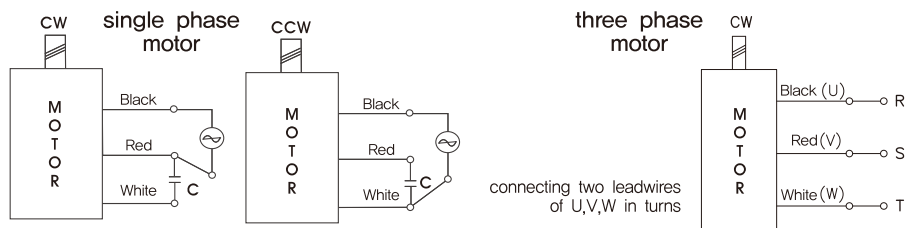
LEAD WIRE TYPE

DIMENSIONS

K8I□25A□



CONNECTION DIAGRAMS



※The direction of motor rotation is as viewed from the front shaft end of the motor

SPECIFICATIONS

25W continuous rating, four poles

Model		Voltage (V)	Frequency (Hz)	Current (A)	Start T. (N·m/kgf·cm)	Rated T. (N·m/kgf·cm)	Speed (rpm)	Condenser (μF)
K8I□25AJ	single-phase	100	50	0.59	0.11/1.1	0.195/1.95	1250	7
			60	0.54		0.16/1.6	1550	
K8I□25AU		110	60	0.48	0.09/0.9	0.165/1.65	1500	5
				0.5				
K8I□25AL		200	50	0.26	0.115/1.15	0.195/1.95	1250	1.8
				60				
K8I□25AC		220	50	0.28	0.11/1.1	0.195/1.95	1250	1.5
				60				
K8I□25AD		230	50	0.29	0.12/1.2	0.195/1.95	1250	
				60				
K8I□25AT	three-phase	200	50	0.27	0.5/5	0.19/1.9	1300	-
			60	0.24	0.4/4	0.16/1.6	1550	
K8I□25AH		220	50	0.28	0.6/6	0.185/1.85	1350	-
				60	0.24	0.48/4.8	0.155/1.55	
K8I□25AM		230	50	0.29	0.65/6.5	0.185/1.85	1350	
				60	0.25	0.52/5.2	0.155/1.55	
K8I□25AV		380	50	0.17	0.6/6	0.19/1.9	1300	-
				60	0.14	0.48/4.8	0.155/1.55	
K8I□25AQ		400	50	0.17	0.73/7.3	0.19/1.9	1300	-
				60	0.15	0.6/6	0.155/1.55	
K8I□25AZ		415	50	0.13	0.55/5.5	0.19/1.9	1300	-
				60	0.11	0.4/4	0.155/1.55	
K8I□25AZ	440	50	0.14	0.63/6.3	0.19/1.9	1300	-	
			60	0.12	0.5/5	0.155/1.55		1600

Motor spec is same as induction motor's. Applied gear head is K6G□B(C) Series.

Identify rated torque of gearhead in induction motor in order to find out the torque value of gearhead per gear ratios.

* □ : SHAFT SHAPE (S : STRAIGHT, G : PINION)