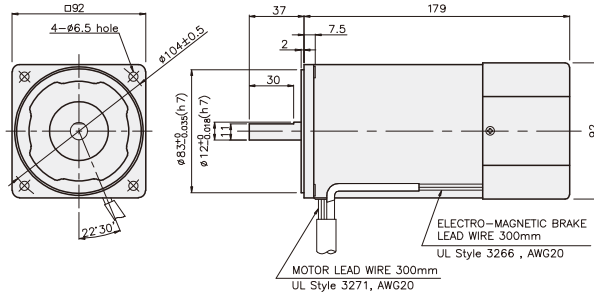
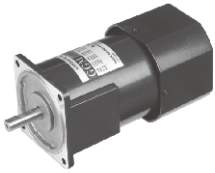


BRAKE MOTOR

120W

□90mm

K9□S120F□-B



DIMENSION TABLE

PART No	M	Application Model
K9RS120F□-B-C50	200	50Hz
K9RS120F□-B	179	60Hz

※ 50Hz motor is "C50" added to model number.

SPECIFICATIONS

120W 30 minutes rating, four poles

Model	Duty	Voltage (V)	Frequency (Hz)	Current (A)	Start T. (N·m/kgf·cm)	Rated T. (N·m/kgf·cm)	Speed (rpm)	Condenser (μF)	Friction T. (N·m/kgf·cm)
K9R□120FJ-B-C50	single-phase 30 minutes	100	50	2.4	0.65/6.5	0.9/9	1300	40	1/10
K9R□120FJ-B			60	2.61	0.7/7	0.755/7.55	1550		
K9R□120FU-B		110	60	1.93	0.6/6	0.755/7.55	1550	25	1/10
				1.88	0.62/6.2				
K9R□120FL-B-C50		200	50	1.07	0.6/6	0.9/9	1300	8.5	1/10
K9R□120FL-B				60	1.22	0.58/5.8	0.755/7.55		
K9R□120FC-B-C50		220	50	0.82	0.53/5.3	0.9/9	1300	6	1/10
				0.85	0.58/5.8				
K9R□120FC-B		220	60	1	0.63/6.3	0.735/7.35	1600	7	1/10
				1.1					
K9R□120FD-B-C50		240	50	0.9	0.58/5.8	0.9/9	1300	6	1/10

* □ : SHAFT SHAPE (S : STRAIGHT, P : PINION)

RATED TORQUE OF GEARHEAD

● 50Hz

unit = above : N·m / below : Kgf·cm

Model	Speed(rpm)	500	416	300	250	200	166	150	120	100	83	75	60	50	41	37	30	25	20	16	15	13	10	8,3	7,5
Motor/ Gearhead	Ratio	3	3,6	5	6	7,5	9	10	12,5	15	18	20	25	30	36	40	50	60	75	90	100	120	150	180	200
K9RP120F□-B K9P□B, BF	2,19	2,62	3,65	4,37	5,47	6,56	7,29	8,20	9,84	11,81	13,12	14,76	17,71	20	20	20	20	20	20	20	20	20	20	20	20
	21,9	26,2	36,5	43,7	54,7	65,6	72,9	82,0	98,4	118,1	131,2	147,6	177,1	200	200	200	200	200	200	200	200	200	200	200	200

● 60Hz

unit = above : N·m / below : Kgf·cm

Model	Speed(rpm)	600	500	360	300	240	200	180	144	120	100	90	72	60	50	45	36	30	24	20	18	15	12	10	9
Motor/ Gearhead	Ratio	3	3,6	5	6	7,5	9	10	12,5	15	18	20	25	30	36	40	50	60	75	90	100	120	150	180	200
K9RP120F□-B K9P□B, BF	1,79	2,14	2,98	3,57	4,47	5,36	5,95	6,70	8,04	9,64	10,72	12,06	14,47	17,36	19,29	20	20	20	20	20	20	20	20	20	20
	17,9	21,4	29,8	35,7	44,7	53,6	59,5	67,0	80,4	96,4	107,2	120,6	144,7	173,6	192,9	200	200	200	200	200	200	200	200	200	200

- * Gearhead and decimal gearhead are sold separately.
- * The code in □ of gearhead model is for gear ratio.
- * color indicates that the output shaft of the geared motor rotates in the same direction as the output shaft of the motor. Others indicate rotation in the opposite direction.
- * If you are to have less ratio than the ratio in the table, you can install the decimal gearhead, which has one tenth of the ratio, between the gearhead and the motor. In this case, the permissible torque is 20N·m/200kgf·cm.
- * RPM is based on motor's synchronous rpm (50HZ:1500rpm, 60HZ:1800rpm) and calculated by dividing gear ratio. Actual rpm is 2~20% less than indicating rpm according to load size.

BRAKE MOTOR

GEARHEADS

RATED TORQUE OF GEARHEAD

● 50Hz

unit = above : N · m / below : kgfcm

Model	Speed(rpm)	500	416	300	250	200	166	150	120	100	83	75	60	50	41	37	30	25	20	16	15	13	10	8,3	7,5
Motor/ Gearhead	Ratio	3	3,6	5	6	7,5	9	10	12,5	15	18	20	25	30	36	40	50	60	75	90	100	120	150	180	200
K9RP120F□-B		2,19	2,62	3,65	4,37	5,47	6,56	7,29	8,20	9,84	11,81	13,12	14,76	17,71	21,26	23,62	30	30	30	30	30	30	30	30	30
K9P□BU, BUF		21,9	26,2	36,5	43,7	54,7	65,6	72,9	82,0	98,4	118,2	131,2	147,6	177,1	212,6	236,2	300	300	300	300	300	300	300	300	300

● 60Hz

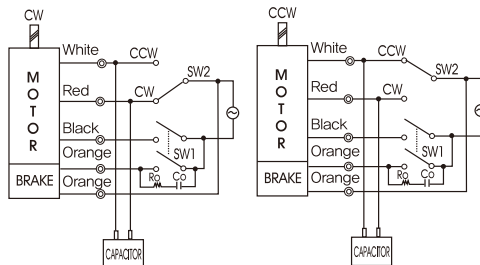
unit = above : N · m / below : kgfcm

Model	Speed(rpm)	600	500	360	300	240	200	180	144	120	100	90	72	60	50	45	36	30	24	20	18	15	12	10	9
Motor/ Gearhead	Ratio	3	3,6	5	6	7,5	9	10	12,5	15	18	20	25	30	36	40	50	60	75	90	100	120	150	180	200
K9RP120F□-B		1,79	2,14	2,98	3,57	4,47	5,36	5,95	6,70	8,04	9,64	10,72	12,06	14,47	17,36	19,29	24,11	28,93	30	30	30	30	30	30	30
K9P□BU, BUF		17,9	21,4	29,8	35,7	44,7	53,6	59,5	67,0	80,4	96,4	107,2	120,6	144,7	173,6	192,9	241,1	289,3	300	300	300	300	300	300	300

- * Gearhead and decimal gearhead are sold separately.
- * The code in □ of gearhead model is for gear ratio.
- * color indicates that the output shaft of the geared motor rotates in the same direction as the output shaft of the motor. Others indicate rotation in the opposite direction.
- * If you are to have less ratio than the ratio in the table, you can install the decimal gearhead, which has one tenth of the ratio, between the gearhead and the motor. In this case, the permissible torque is 30N · m/300kgfcm.
- * RPM is based on motor's synchronous rpm (50HZ:1500rpm, 60HZ:1800rpm) and calculated by dividing gear ratio. Actual rpm is 2~20% less than indicating rpm according to load size.

CONNECTION DIAGRAMS

Connect Cr circuit for absorbing surge voltage as connection diagram to protect contact point.
 $R_o = 5 - 200\Omega$
 $C_o = 0,1 \sim 0,2\mu F \ 200WV(400WV)$



※The direction of motor rotation is as viewed from the front shaft end of the motor

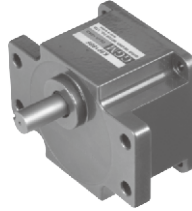
GEARHEADS

DIMENSIONS

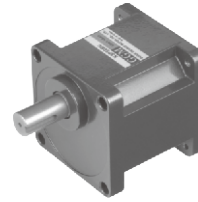
K9P□B



K9P□BF, BUF

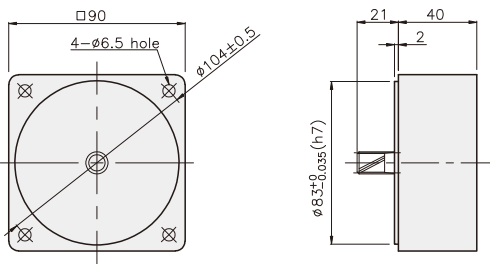


K9P□BU

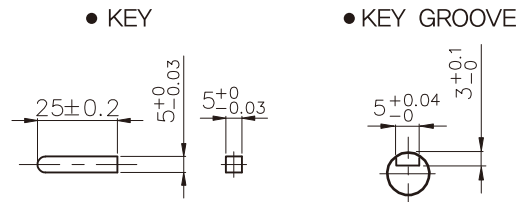


DECIMAL GEARHEAD

K9P10BX

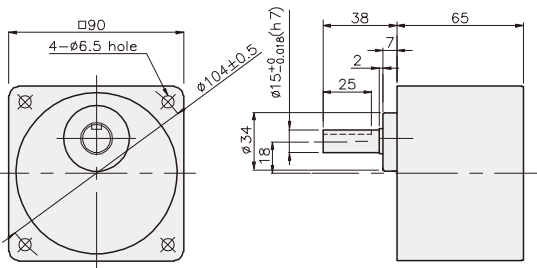


KEY SPEC

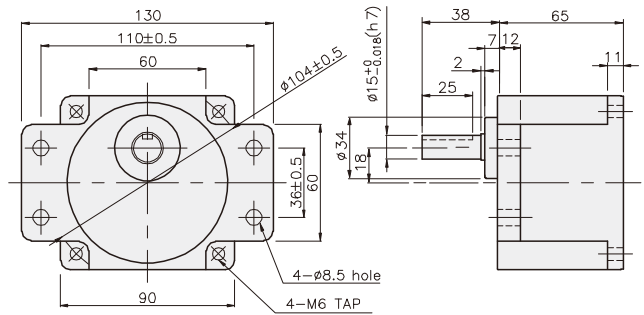


GEARHEAD

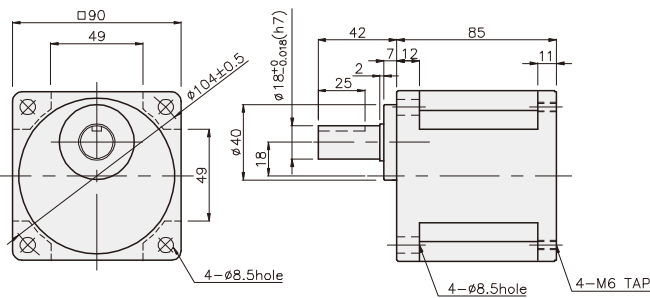
K9P□B



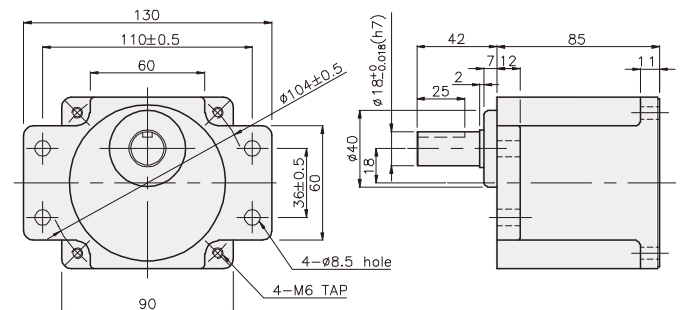
K9P□BF



K9P□BU



K9P□BUF

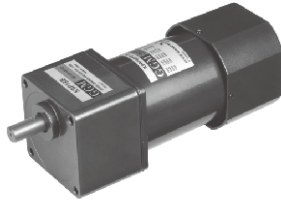


BRAKE MOTOR

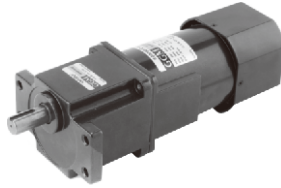
GEARHEADS

DIMENSIONS

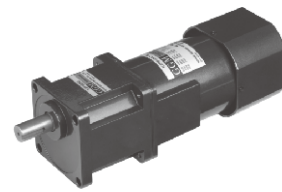
K9□P120F□-B + K9P□B



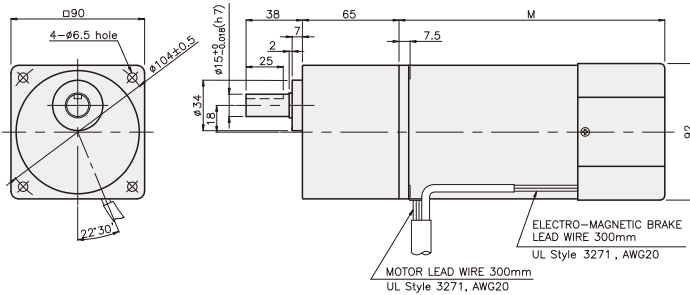
K9□P120F□-B + K9P□BF, BUF



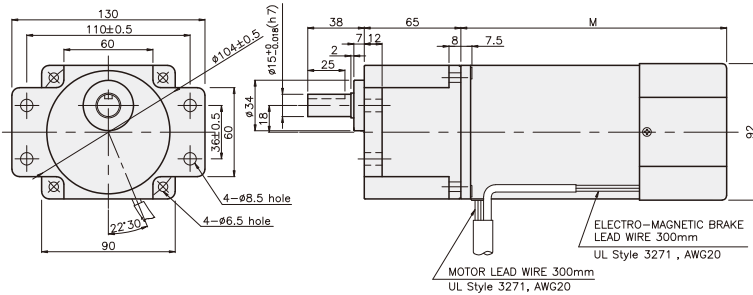
K9□P120F□-B + K9P□BU



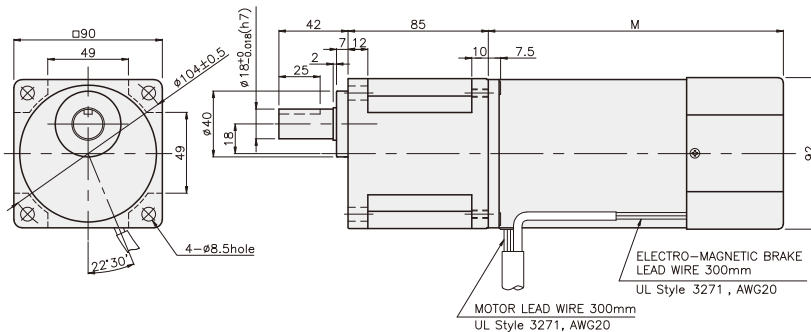
K9P120F□-B + K9P□B



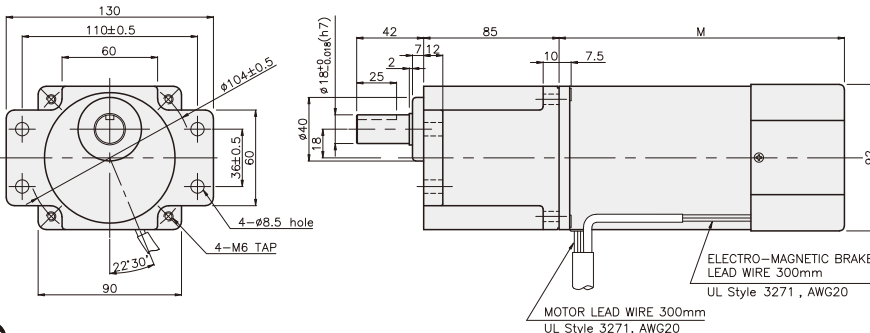
K9□P120F□-B + K9P□BF



K9□P120F□-B + K9P□BU



K9P120F□-B + K9P□BUF



WEIGHT

PART	WEIGHT(kg)
MOTOR	3,20
DECIMAL GEAR HEAD	0,62

DIMENSION TABLE

PART No	M	Application Model
01	155	50Hz
02	135	60Hz

DIMENSION TABLE

PART No	L	Application Model	Mounting BOLT
01	65	K9P3~200B	M6 P1,0 X 95
02	40	K9P10BX	M6 P1,0 X 140

WEIGHT

PART	WEIGHT(kg)
K9P3~10B	1,22
K9P12,5~20B	1,32
K9P25~60B	1,42
K9P75~200B	1,45

DIMENSION TABLE

PART No	L	Application Model	Mounting BOLT
01	65	K9P3~200BF	M6 P1,0 X 25
02	40	K9P10BX	M6 P1,0 X 65

WEIGHT

PART	WEIGHT(kg)
K9P3~10BF	1,22
K9P12,5~20BF	1,30
K9P25~60BF	1,42
K9P75~200BF	1,44

DIMENSION TABLE

PART No	L	Application Model	Mounting BOLT
01	85	K9P3~200BU	M6 P1,0 X 20
02	40	K9P10BX	M6 P1,0 X 60

WEIGHT

PART	WEIGHT(kg)
K9P3~10BU	1,44
K9P12,5~20BU	1,55
K9P25~60BU	1,69
K9P75~200BU	1,74

DIMENSION TABLE

PART No	L	Application Model	Mounting BOLT
01	85	K9P3~200BUF	M6 P1,0 X 20
02	40	K9P10BX	M6 P1,0 X 65

WEIGHT

PART	WEIGHT(kg)
K9P3~10BUF	1,50
K9P12,5~20BUF	1,62
K9P25~60BUF	1,76
K9P75~200BUF	1,82