

OPEN TYPE MOTOR

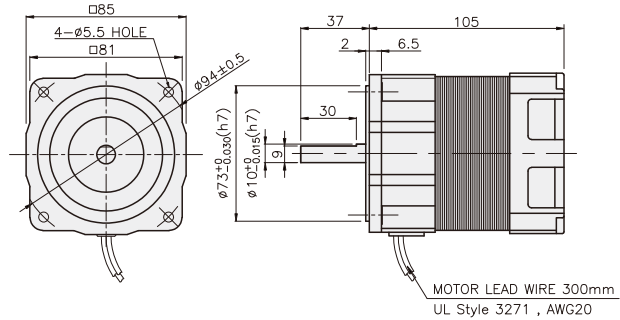
40W

□80mm – 83MM

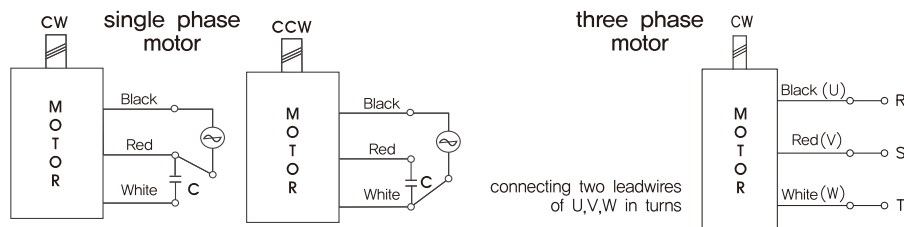
LEAD WIRE TYPE

DIMENSIONS

K8I□40A□



CONNECTION DIAGRAMS



※ The direction of motor rotation is as viewed from the front shaft end of the motor

SPECIFICATIONS

40W continuous rating, four poles

Model		Voltage (V)	Frequency (Hz)	Current (A)	Start T. (N-m/kgf-cm)	Rated T. (N-m/kgf-cm)	Speed (rpm)	Condenser (μF)	
K8I□40AJ	single-phase	100	50	0.86	0.21/2.1	0.315/3.15	1250	12	
K8I□40AU			60	0.84	0.22/2.2	0.255/2.55	1550		
K8I□40AL		200	50	0.4	0.22/2.2	0.315/3.15	1250	3	
			60	0.41		0.255/2.55	1550		
K8I□40AC		220	50	0.38	0.24/2.4	0.315/3.15	1250	2.5	
			60	0.37		0.255/2.55	1550		
			230	50	0.4	0.26/2.6	0.315/3.15		1250
K8I□40AD			240	50	0.37	0.2/2	0.3/3	1300	2
K8I□40AT		200	50	0.39	1/10	0.3/3	1300	-	
			60	0.32	0.78/7.8	0.245/2.45	1600		
K8I□40AH	220	50	0.33	0.95/9.5	0.29/2.9	1350	-		
		60	0.31	0.78/7.8	0.245/2.45	1600			
	230	50	0.41	1/10	0.29/2.9	1350			
		60	0.32	0.83/8.3	0.245/2.45	1600			
K8I□40AM	380	50	0.18	1/10	0.29/2.9	1350	-		
60		0.78/7.8		0.245/2.45	1600				
K8I□40AV	400	50	0.18	1.15/11.5	0.29/2.9	1350	-		
		60	0.19	0.88/8.8	0.245/2.45	1600			
K8I□40AQ	415	50	0.16	0.95/9.5	0.29/2.9	1350	-		
		60	0.14	0.72/7.2	0.245/2.45	1600			
K8I□40AZ	440	50	0.19	1/10	0.29/2.9	1350	-		
		60	0.16	0.79/7.9	0.245/2.45	1600			

Motor spec is same as induction motor's, Applied gear head is K6G□B(C) Series.

Identify rated torque of gearhead in induction motor in order to find out the torque value of gearhead per gear ratios.

* □ : SHAFT SHAPE (S : STRAIGHT, G : PINION)