

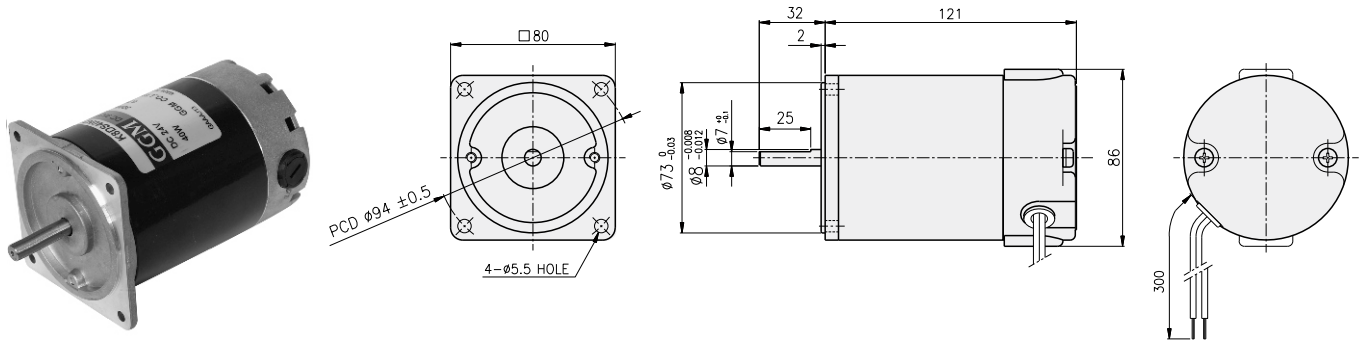
DC MOTOR

25W
~40W

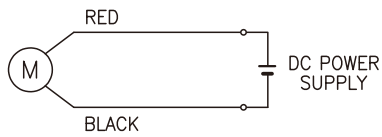
□ 80mm

DIMENSIONS

K8DS□N□



CONNECTION DIAGRAMS



CW When '+' power is applied to the red line.
 CCW When '+' power is applied to the black line.
 ※ Direction of rotation when viewed from the front side of the output shaft

SPECIFICATIONS

Model	Output (W)	Voltage (V)	RATED			Start T. (N·m/kgf·cm)	Starting Current (A)
			Speed (rpm)	Torque (N·m/kgf·cm)	Current (A)		
K8D□25N1	25	12	3000	0.08/0.8	5	1.2/12	55
K8D□25N2		24			2.3	1.3/13	28
K8D□25N3		90			0.6	0.8/8	5
K8D□40N1	40	12		0.13/1.3	6.1	1.43/14.3	64
K8D□40N2		24			3	1.82/18.2	40
K8D□40N3		90			0.9	1.44/14.4	9

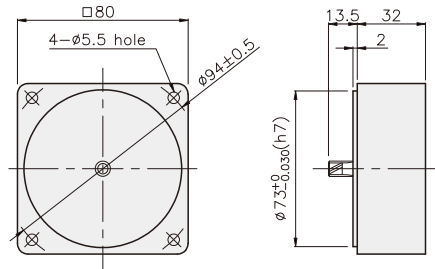
* □ : SHAFT SHAPE (S : STRAIGHT, G : PINION)

GEARHEAD

DIMENSIONS

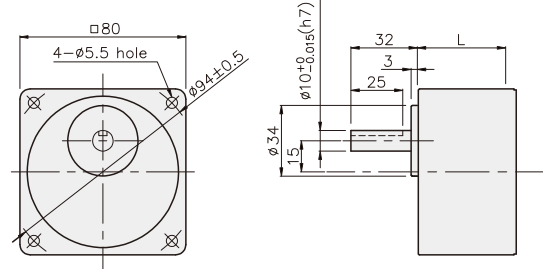
DECIMAL GEARHEAD

K8G10BX

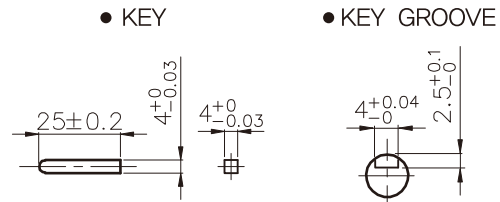


GEARHEAD

K8G□B(C)



KEY SPEC



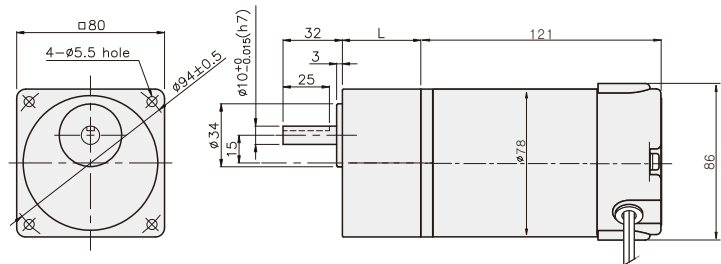
DIMENSION TABLE

PART No.	L	Application Model	Mounting BOLT
01	32	K8G3~18B(C)	M5 P0.8 X 50
02	42.5	K8G20~250B(C)	M5 P0.8 X 65
03	32	K8G10BX	M5 P0.8 X 95

WEIGHT

PART	WEIGHT(kg)	
MOTOR	1.76	
K8G10BX	0.46	
GEAR HEAD	K8G3~18B(C)	0.51
	K8G20~40B(C)	0.64
	K8G50~250B(C)	0.70

K8DG□N□ + K8G□B(C)



RATED TORQUE OF GEARHEAD

● K8G□B(C)

unit = above : N·m / below : Kgf·cm

Model MOTOR/GEAR HEAD	Speed (rpm)	Ratio																								
		1000	833	600	500	400	333	300	240	200	167	150	120	100	83	75	60	50	40	33	30	25	20	17	15	12
K8DG25N□	Ratio	3	3.6	5	6	7.5	9	10	12.5	15	18	20	25	30	36	40	50	60	75	90	100	120	150	180	200	250
		0.20 2.0	0.24 2.4	0.33 3.3	0.39 3.9	0.49 4.9	0.59 5.9	0.66 6.6	0.82 8.2	0.99 9.9	1.18 11.8	1.18 11.8	1.48 14.8	1.77 17.7	2.13 21.3	2.36 23.6	2.66 26.6	3.19 31.9	3.99 39.9	4.79 47.9	5.32 53.2	6.39 63.9	7.98 79.8	8 80	8 80	8 80
K8DG40N□	Ratio	3	3.6	5	6	7.5	9	10	12.5	15	18	20	25	30	36	40	50	60	75	90	100	120	150	180	200	250
		0.32 3.2	0.38 3.8	0.53 5.3	0.63 6.3	0.79 7.9	0.95 9.5	1.05 10.5	1.31 13.1	1.58 15.8	1.89 18.9	1.89 18.9	2.37 23.7	2.84 28.4	3.41 34.1	3.78 37.8	4.26 42.6	5.11 51.1	6.39 63.9	7.66 76.6	8 80	8 80	8 80	8 80	8 80	8 80

* Gearhead and decimal gearhead are sold separately.

* The code in □ of gearhead model is for gear ratio.

* color indicates that the output shaft of the geared motor rotates in the same direction as the output shaft of the motor. Others indicate rotation in the opposite direction.

* If you are to have less ratio than the ratio in the table, you can install the decimal gearhead, which has one tenth of the ratio, between the gearhead and the motor. In this case, the permissible torque is 6N·m/60kgfcm.