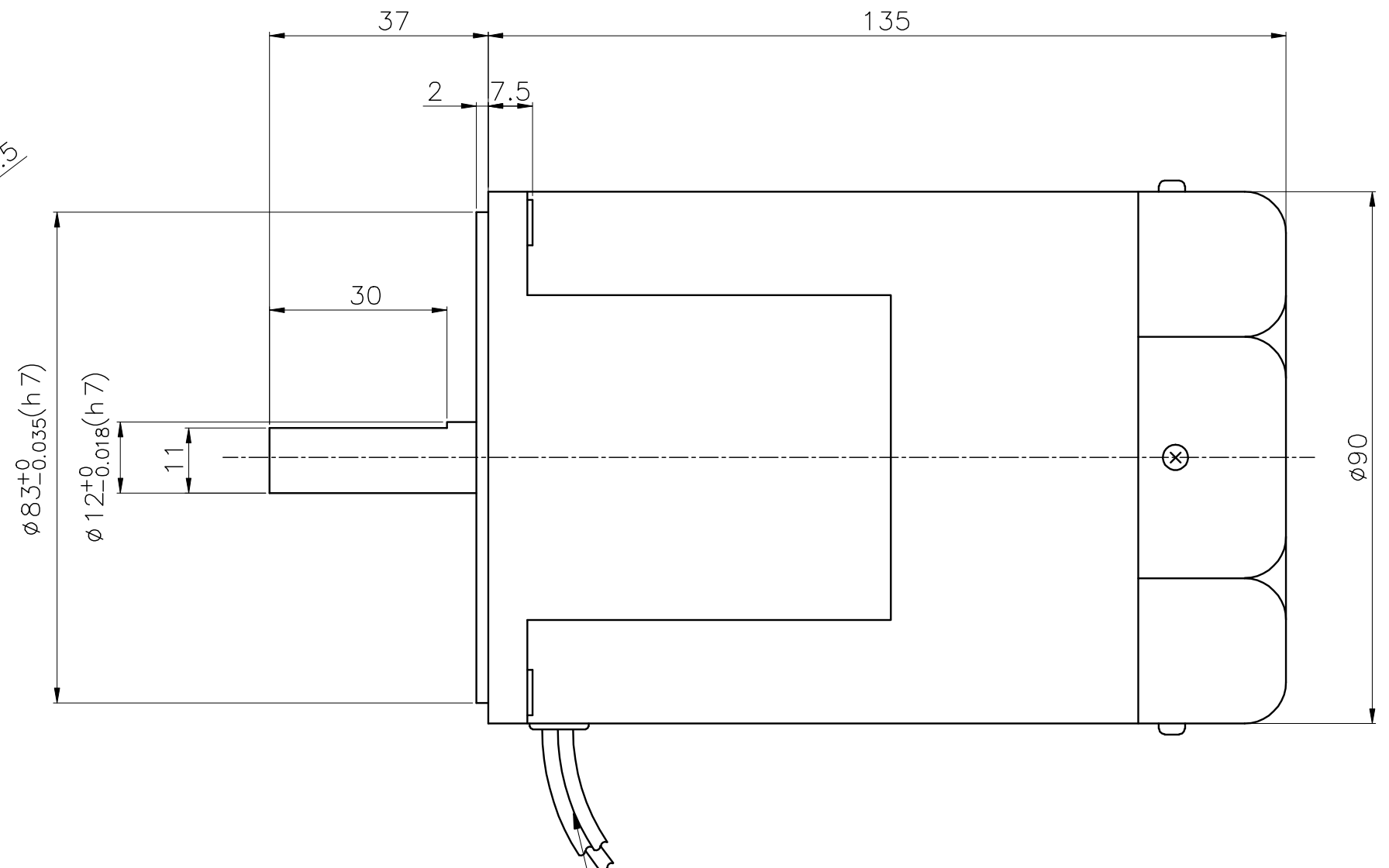
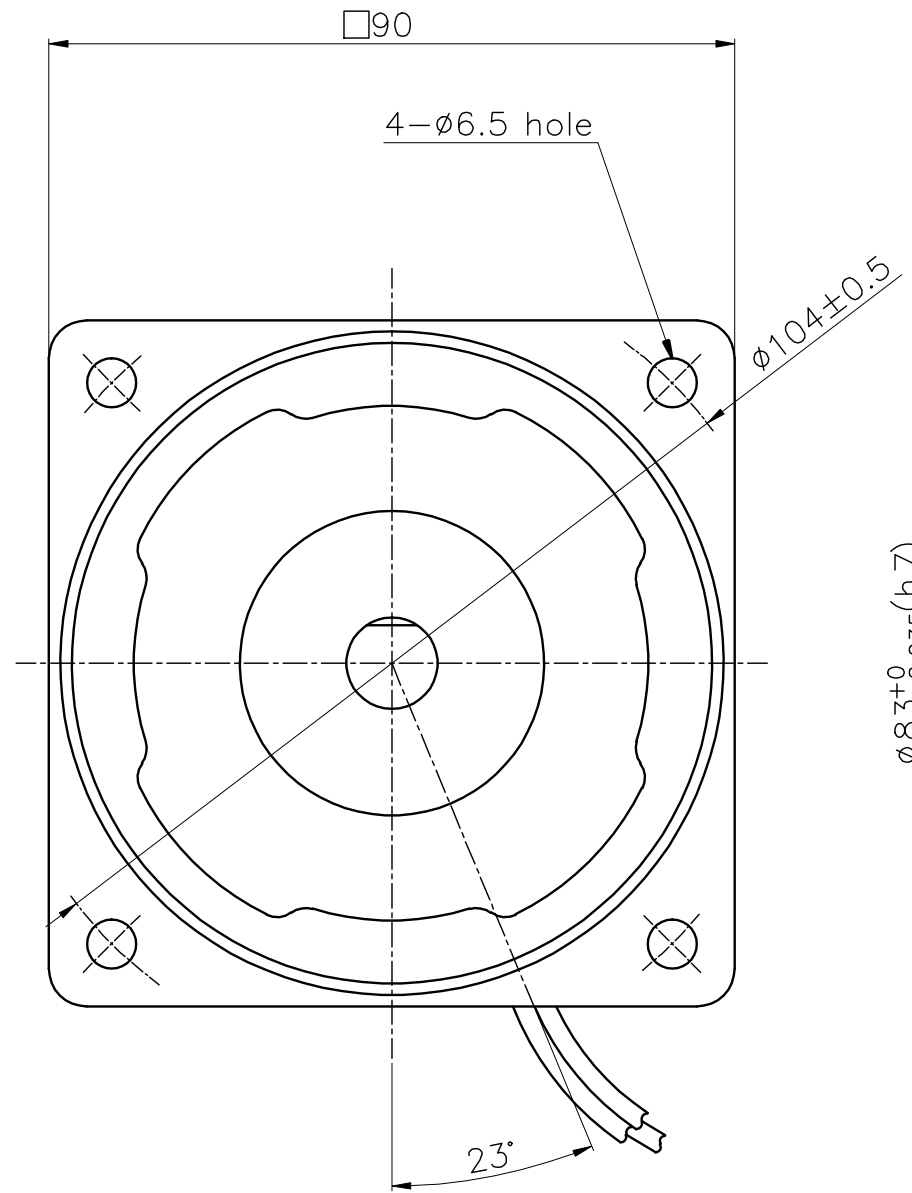


No.	REMARK	REVISION No.	SIGN



MOTOR LEAD WIRE 300mm  
UL Style 3271, AWG20

DRAW	12. 11. 7	SCALE : 1/1	PART NAME	OUTLINE
DESIGNED		UNIT : mm	APPLICATION MODEL	K9 $\square$ S90F $\square$ , K9 $\square$ S120F $\square$ (For 60Hz) K9 $\square$ S150F $\square$ (For 60Hz), K9IS150F $\square$ -2P
CHECKED			DWG NO.	2-OL-00029
APPROVED			RELATION DWG.	