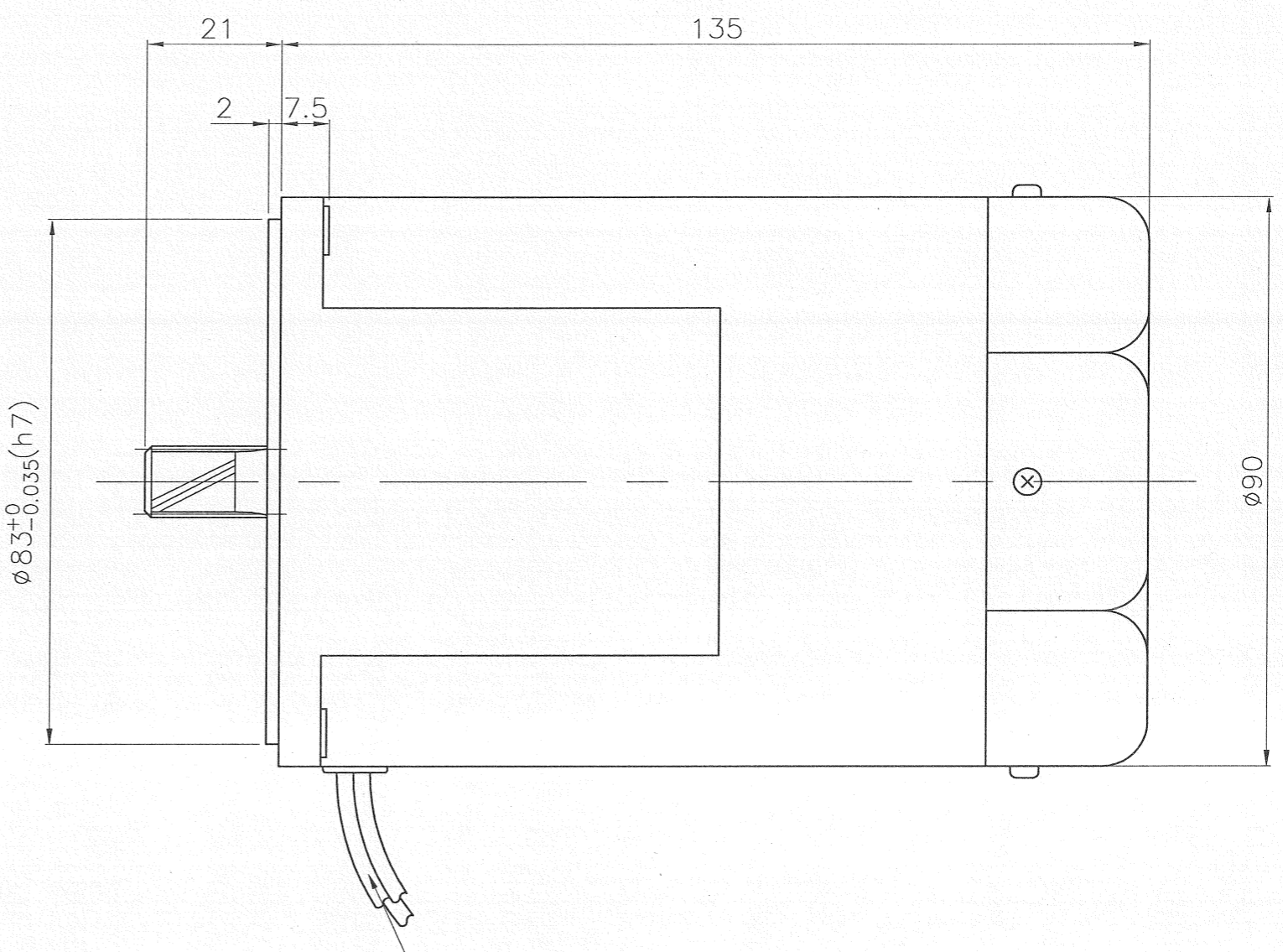
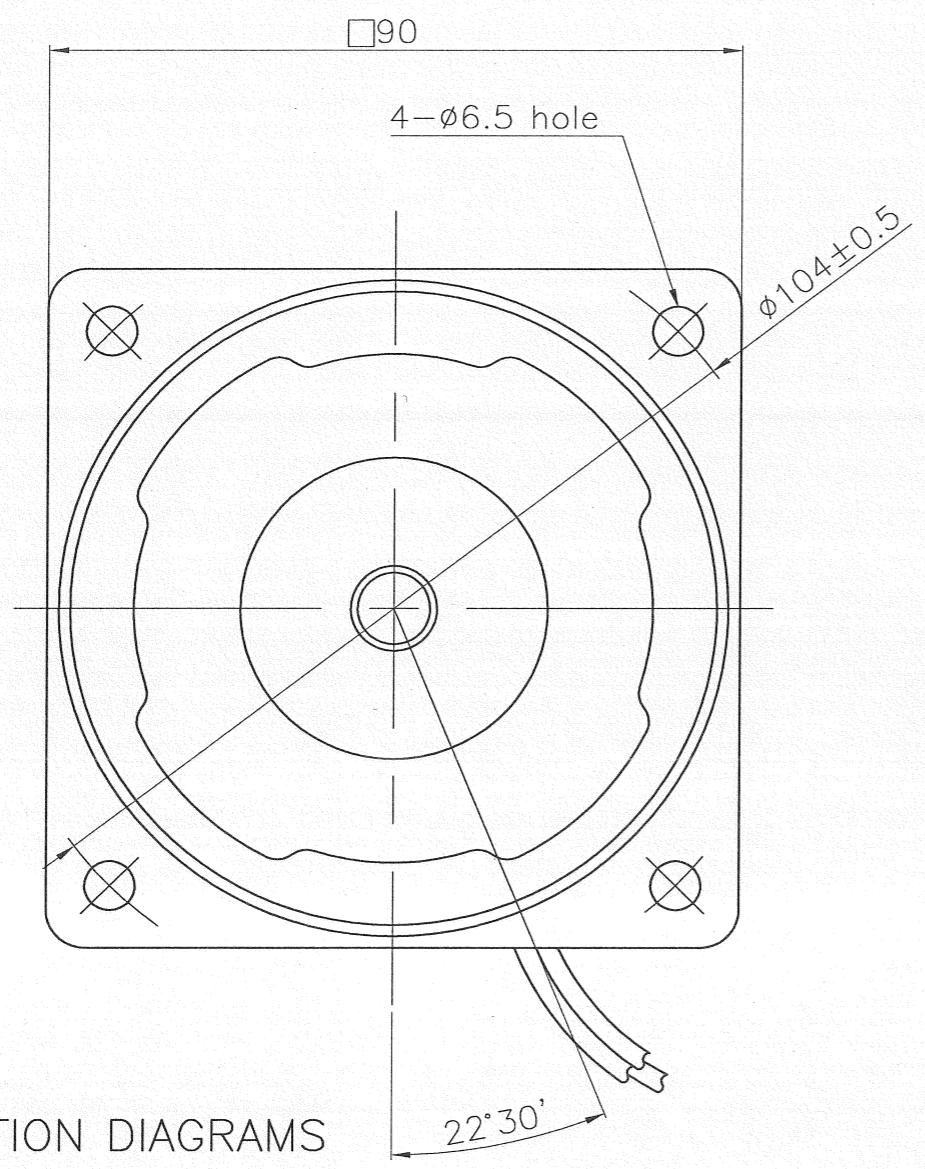


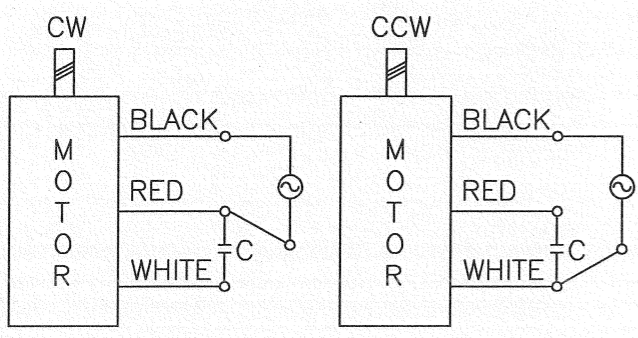
No.	REMARK	REVISION No.	SIGN



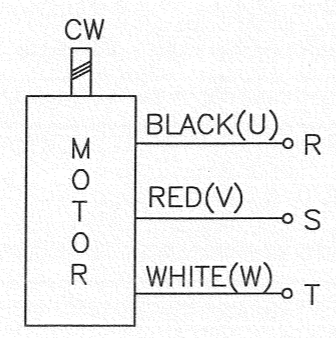
MOTOR LEAD WIRE 300mm
UL Style 3271 , AWG20

■ CONNECTION DIAGRAMS

SINGLE-PHASE MOTOR



THREE-PHASE MOTOR

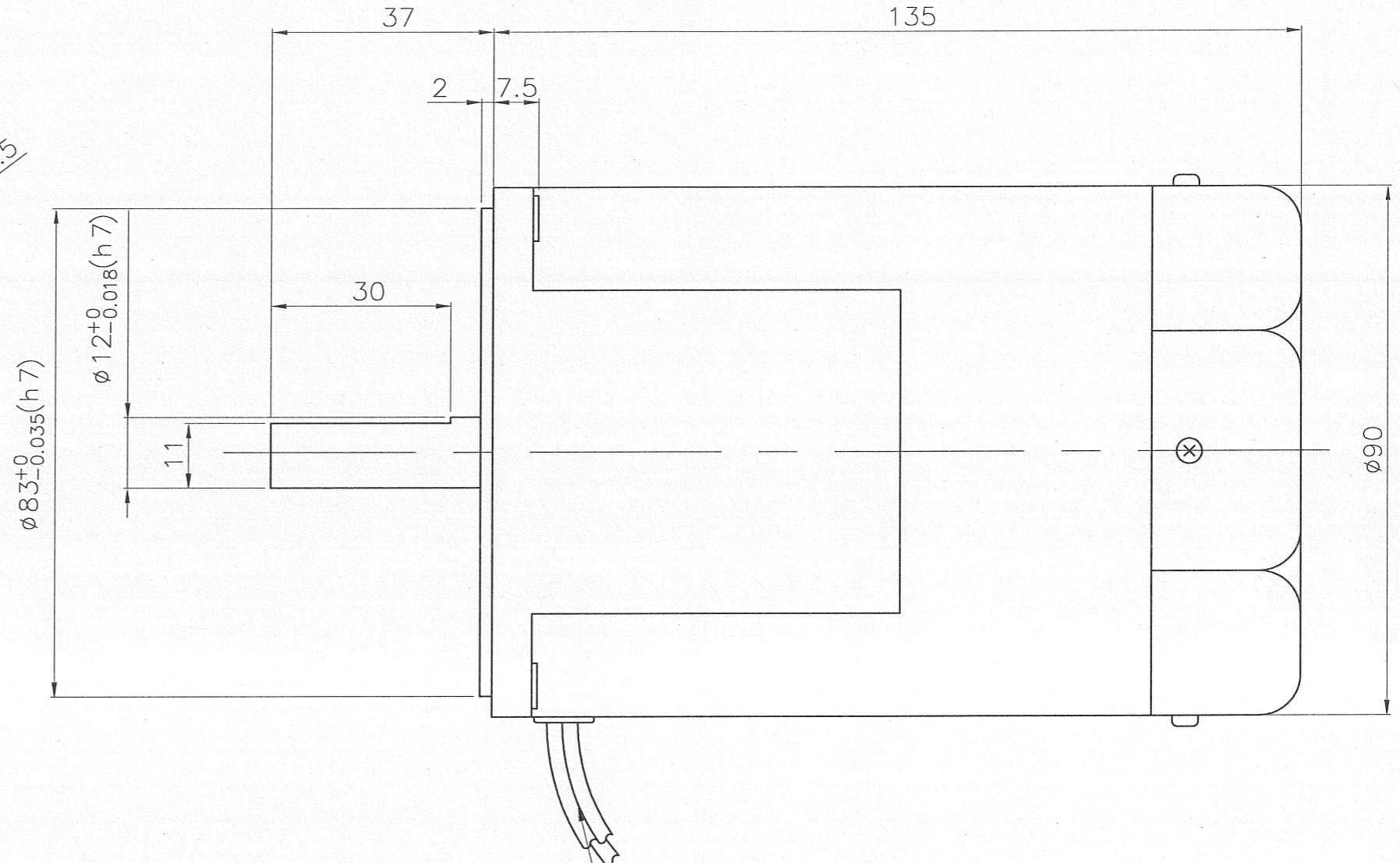
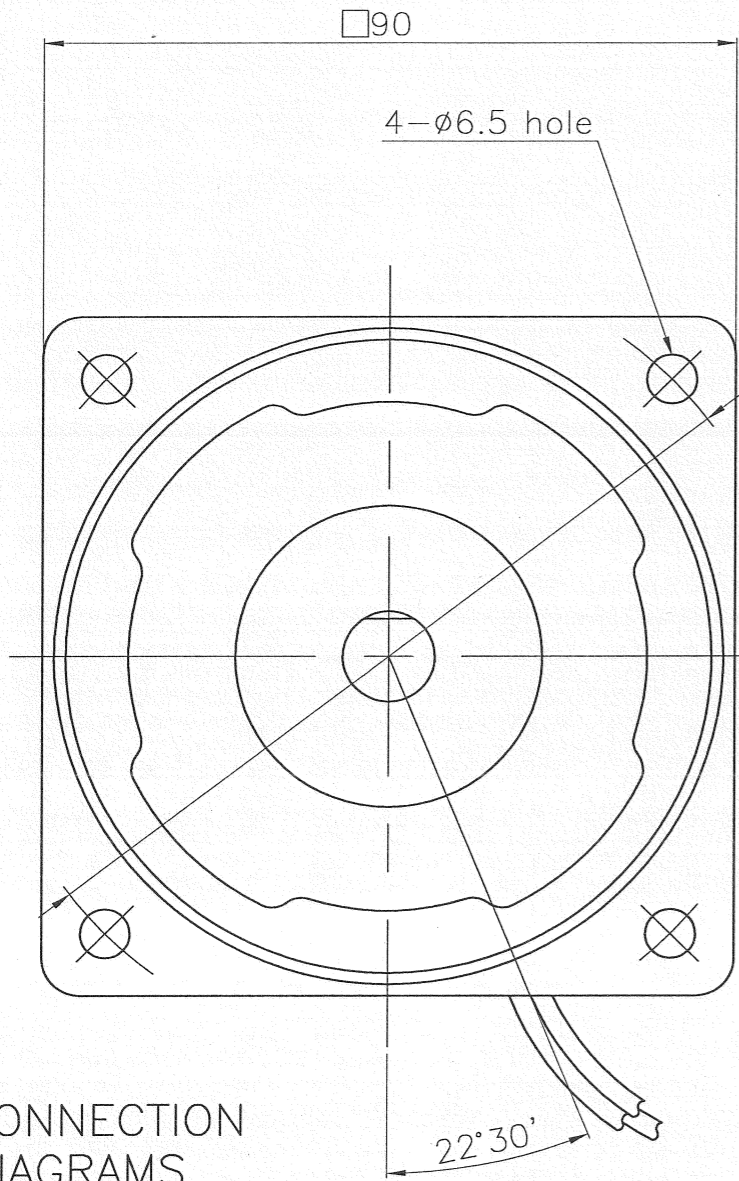


CCW :
To change
any two connections
among U, V and W.

* CW=Clock Wise, CCW=Counter Clock Wise
* The Direction of motor rotation is as viewed from the front shaft end of the motor.
* C = Capacitor = Condenser

DRAW	12. 11. 7	SCALE : 1/1	PART NAME	OUTLINE
DESIGNED		UNIT : mm	APPLICATION MODEL	K9□P90F□
CHECKED				K9□P120F□ (For 60Hz)
APPROVED				K9□P150F□ (For 60Hz)
			DWG NO.	2-OL-00028
GLOBAL GEARED MOTOR				

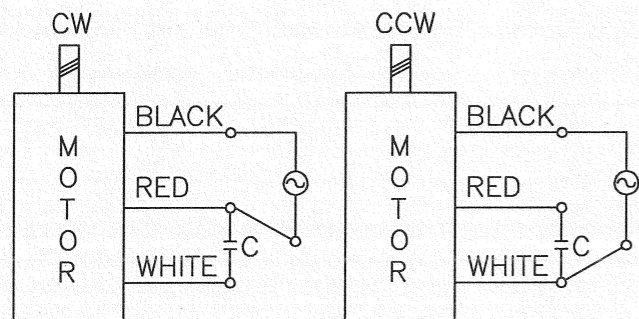
No.	REMARK	REVISION No.	SIGN



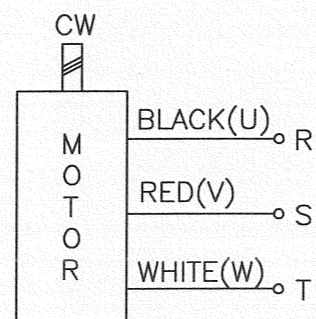
MOTOR LEAD WIRE 300mm
UL Style 3271, AWG20

■ CONNECTION DIAGRAMS

SINGLE-PHASE MOTOR



THREE-PHASE MOTOR

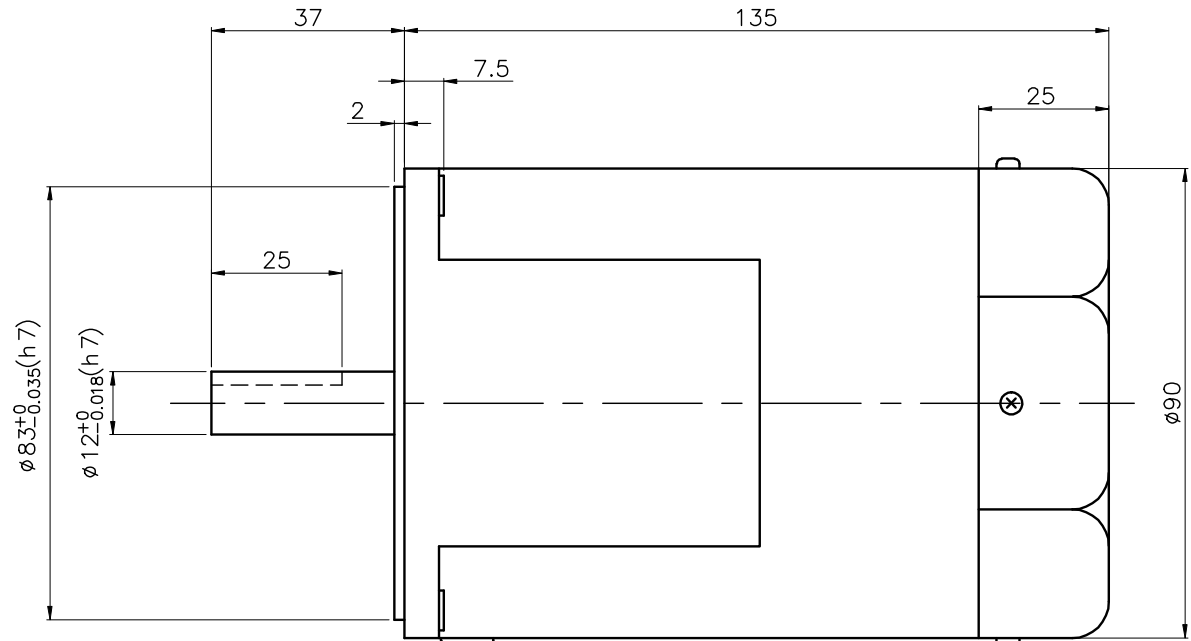
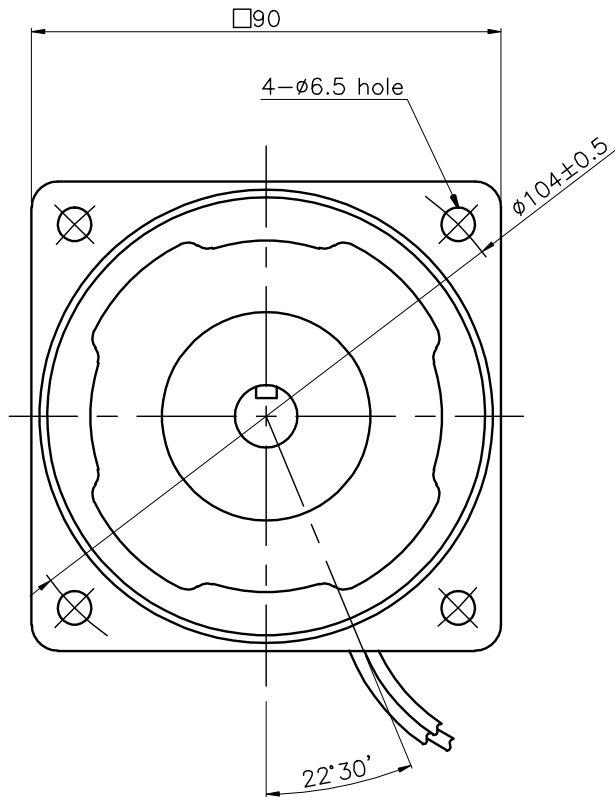


CCW :
To change
any two connections
among U, V and W.

- * CW=Clock Wise, CCW=Counter Clock Wise
- * The Direction of motor rotation is as viewed from the front shaft end of the motor.
- * C = Capacitor = Condenser

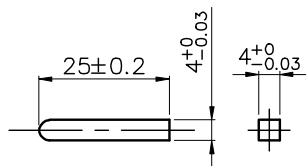
DRAW	12. 11. 7	SCALE : 1/1	PART NAME	OUTLINE
DESIGNED		UNIT : mm	APPLICATION MODEL	
CHECKED			K9□S90F□, K9□S120F□(For 60Hz)	
APPROVED			K9□S150F□(For 60Hz), K9IS150F□ -2P	
			DWG NO.	2-OL-00029
GLOBAL GEARED MOTOR				

No.	REMARK	REVISION No.	SIGN

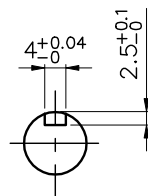


MOTOR LEAD WIRE 300mm
UL Style 3271, AWG20

● KEY

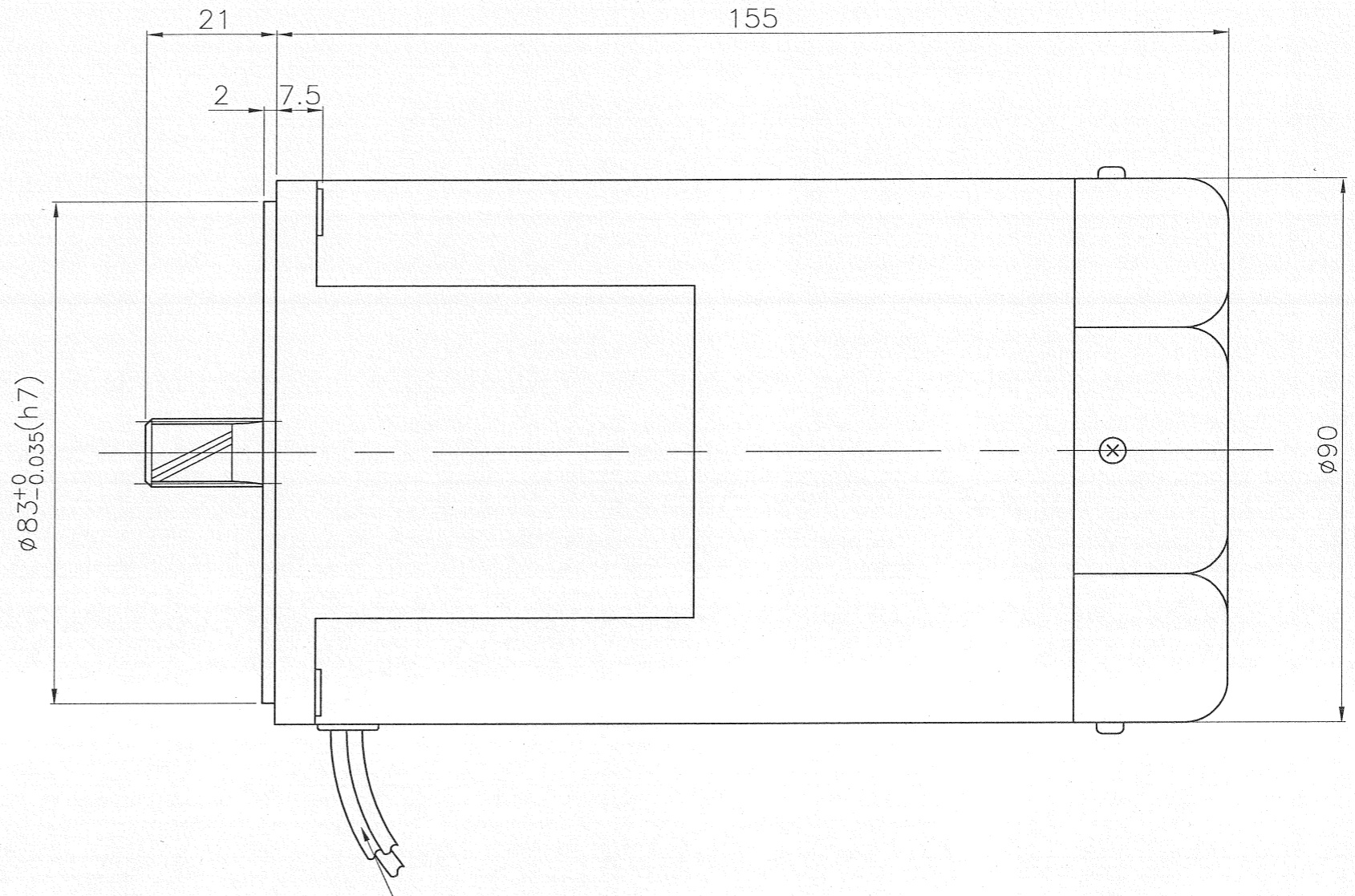
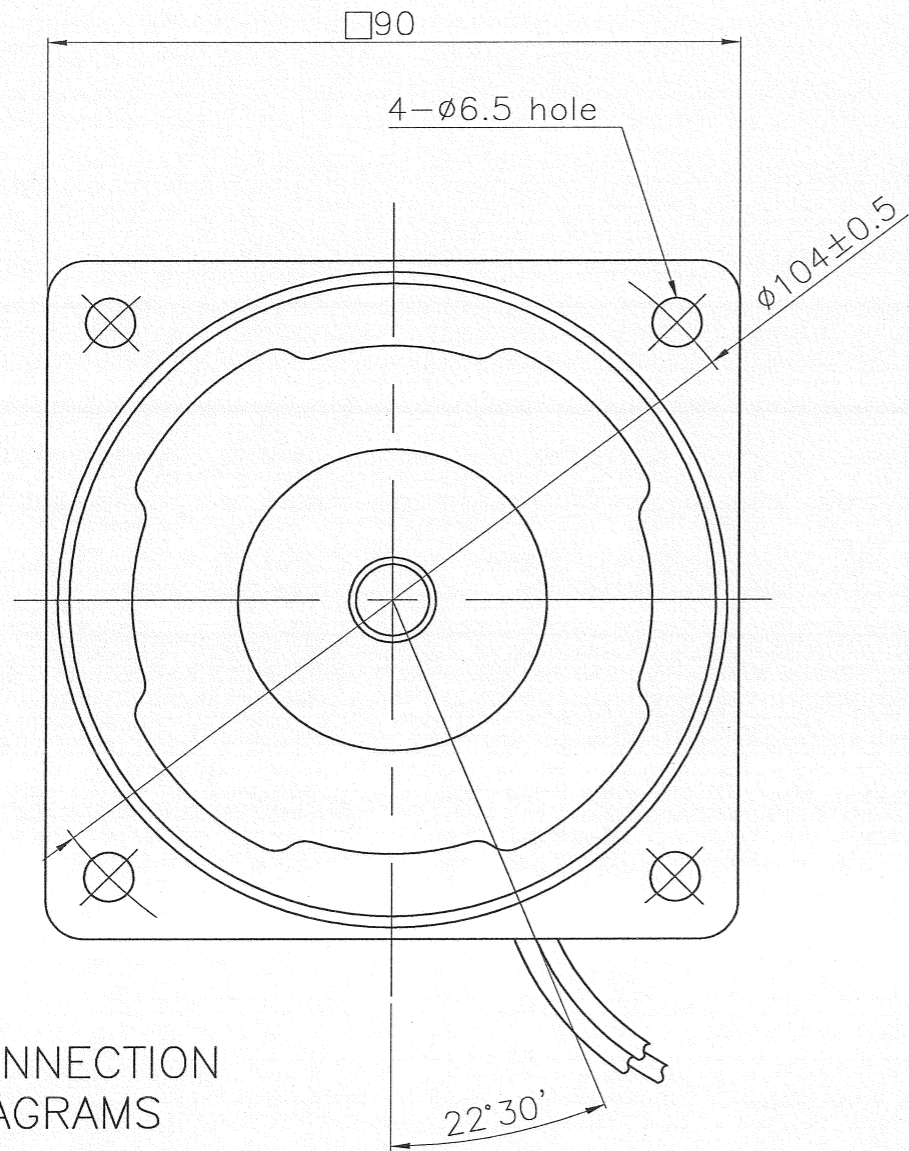


● KEY GROOVE



DRAW	09. 7. 6	SCALE : 1/1	PART NAME	OUTLINE
DESIGNED		UNIT : mm	APPLICATION MODEL	K9IK90F□ ,
CHECKED			K9IK120F□ (60Hz), K9IK150F□ (60Hz),	
APPROVED			K9RK90F□ , K9RK120F□ (60Hz)	
RELATION DWG.			DWG NO.	2-OL-00225

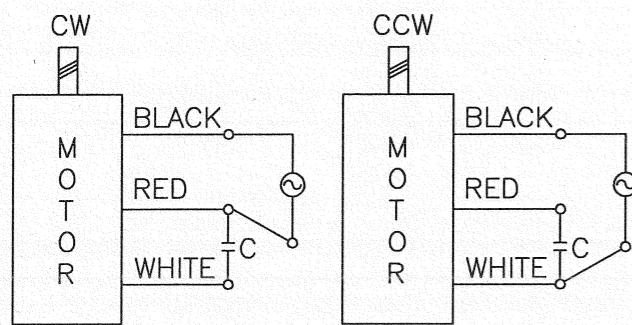
No.	REMARK	REVISION No.	SIGN



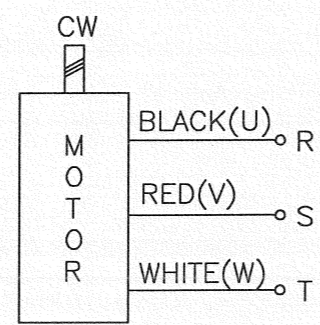
MOTOR LEAD WIRE 300mm
UL Style 3271 , AWG20

■ CONNECTION DIAGRAMS

SINGLE-PHASE MOTOR



THREE-PHASE MOTOR

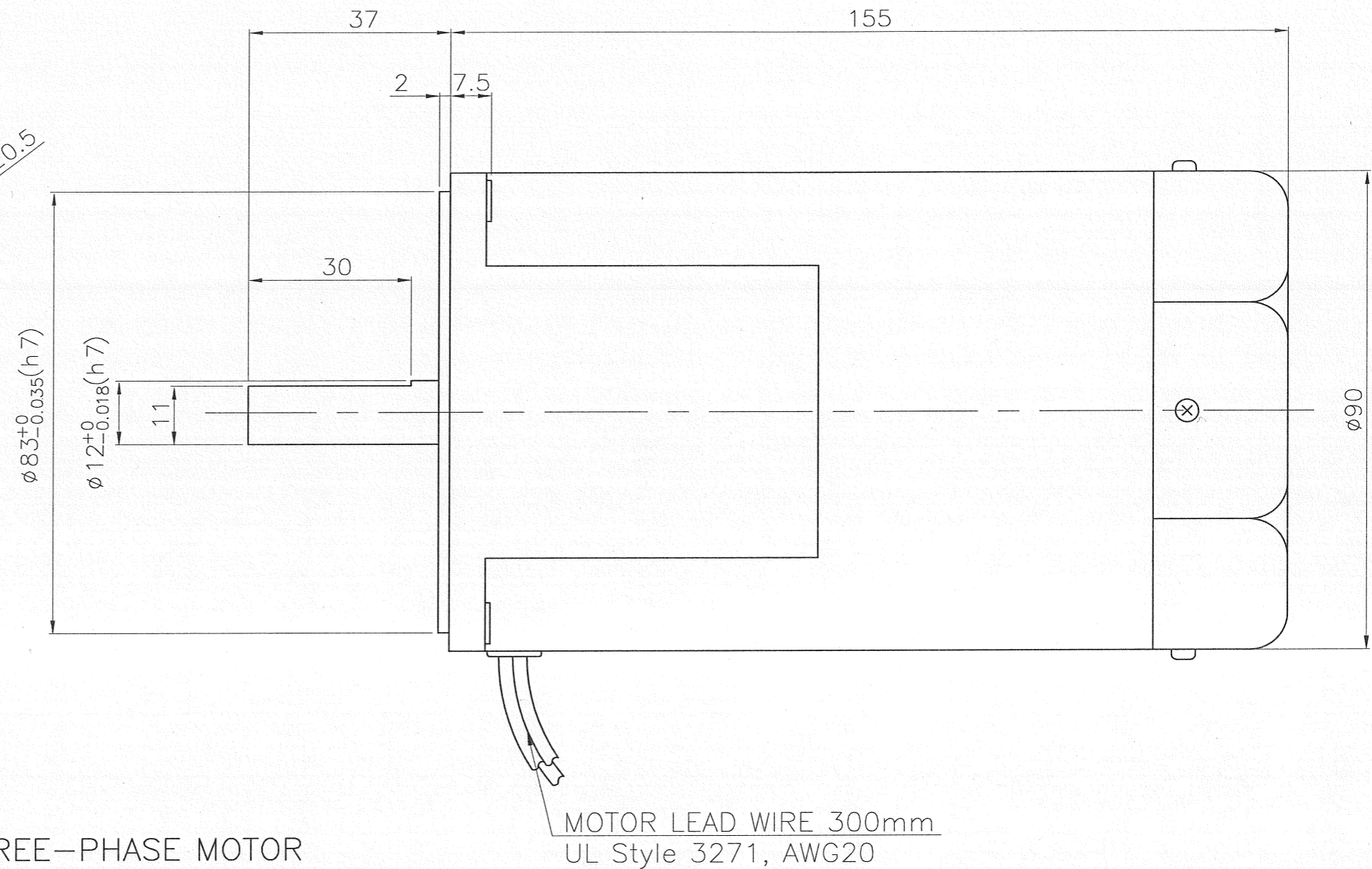
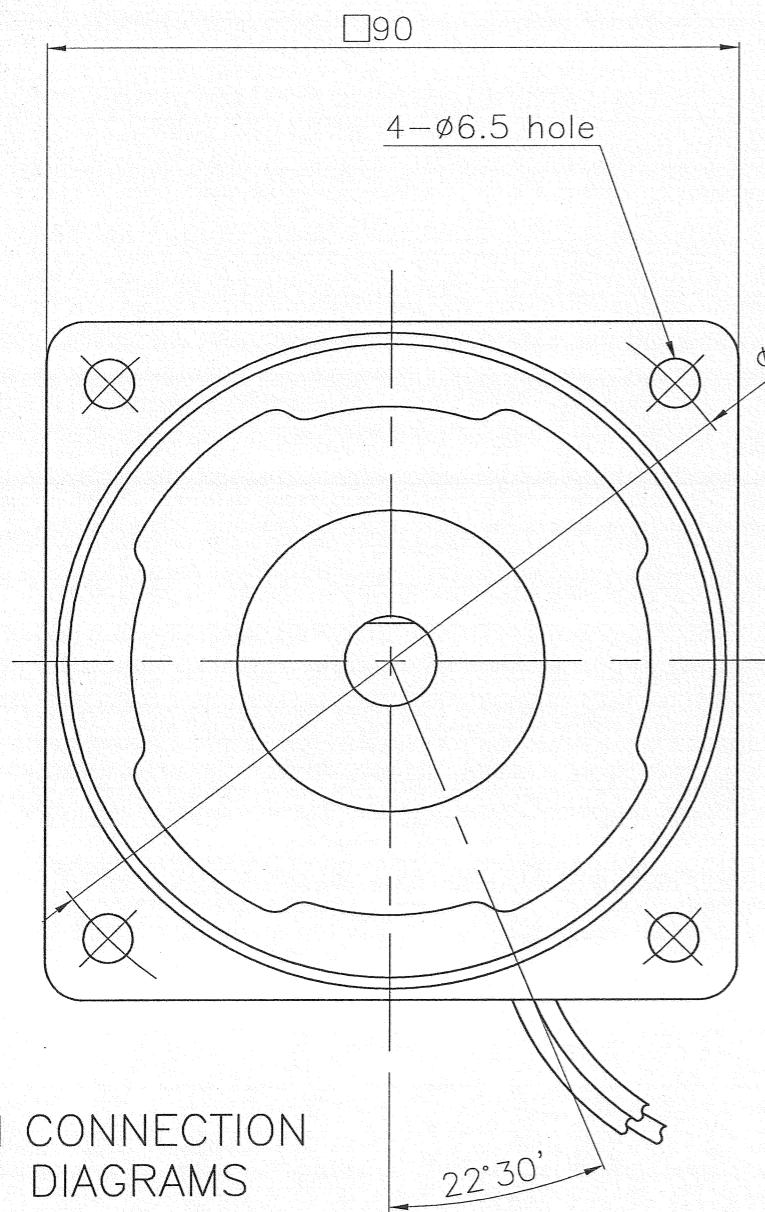


CCW :
To change
any two connections
among U, V and W.

- * CW=Clock Wise, CCW=Counter Clock Wise
- * The Direction of motor rotation is as viewed from the front shaft end of the motor.
- * C = Capacitor = Condenser

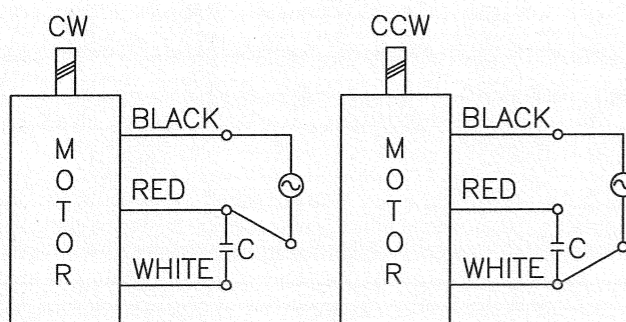
DRAW	12. 11. 7	SCALE : 1/1	PART NAME	OUTLINE
DESIGNED		UNIT : mm	APPLICATION MODEL	K9□P120F□-C50(For 50Hz)
CHECKED			APPLICATION MODEL	K9□P150F□-C50(For 50Hz)
APPROVED			DWG NO.	2-0L-00624
G G M GLOBAL GEARED MOTOR			RELATION DWG.	

No.	REMARK	REVISION No.	SIGN

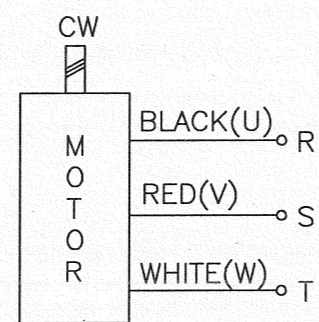


■ CONNECTION DIAGRAMS

SINGLE-PHASE MOTOR



THREE-PHASE MOTOR

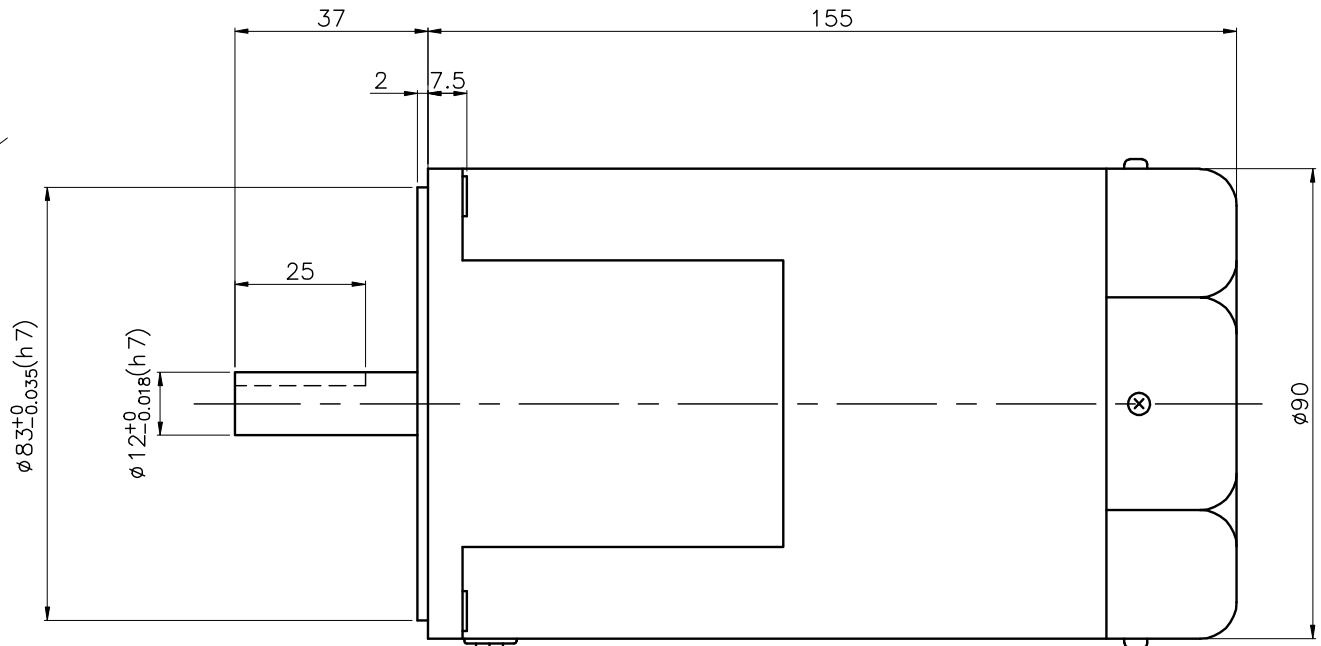
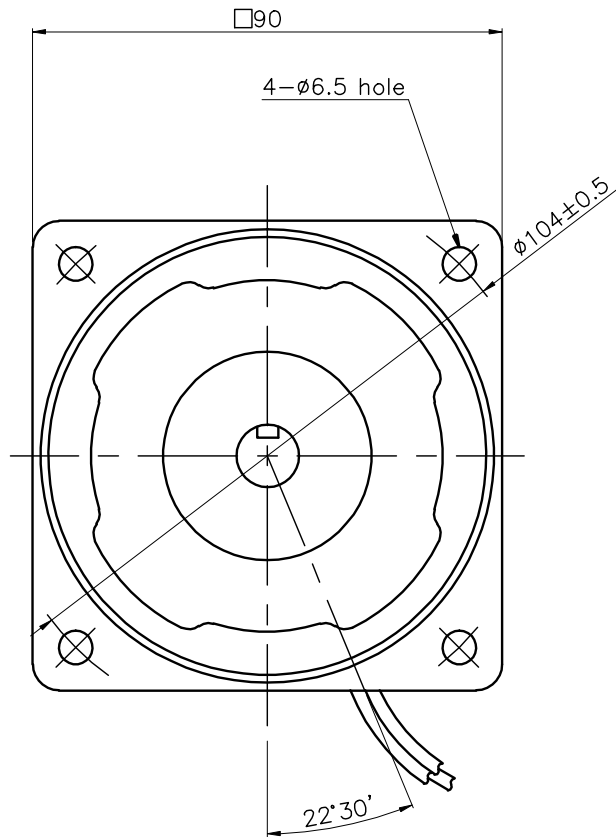


CCW :
To change
any two connections
among U, V and W.

- * CW=Clock Wise, CCW=Counter Clock Wise
- * The Direction of motor rotation is as viewed from the front shaft end of the motor.
- * C = Capacitor = Condenser

DRAW	12. 11. 7	SCALE : 1/1	PART NAME	OUTLINE
DESIGNED		UNIT : mm	APPLICATION MODEL	K9□S120F□-C50(For 50Hz)
CHECKED				K9□S150F□-C50(For 50Hz)
APPROVED			DWG NO.	2-OL-00625
 GLOBAL GEARED MOTOR		RELATION DWG.		

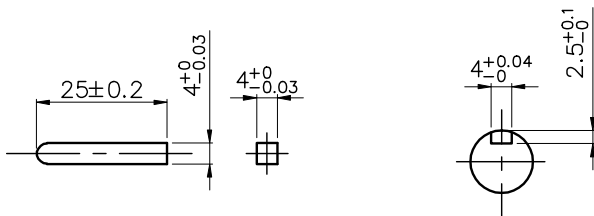
No.	REMARK	REVISION No.	SIGN



MOTOR LEAD WIRE 300mm
UL Style 3271, AWG20

◎ KEY

◎ KEY GROOVE



DRAW	08. 10. 21	S. J Kim	SCALE : 1/1	PART NAME	OUTLINE
DESIGNED	08. 10. 21	S. J Kim	UNIT : mm	APPLICATION MODEL	
CHECKED	08. 10. 21	J. A Choi		K9□K120F□-C50(For 50Hz) K9□K150F□-C50(For 50Hz) K9□K180F□	
APPROVED	08. 10. 21	B. E Choi		RELATION DWG.	DWG NO.

G G M
GLOBAL GEARED MOTOR