

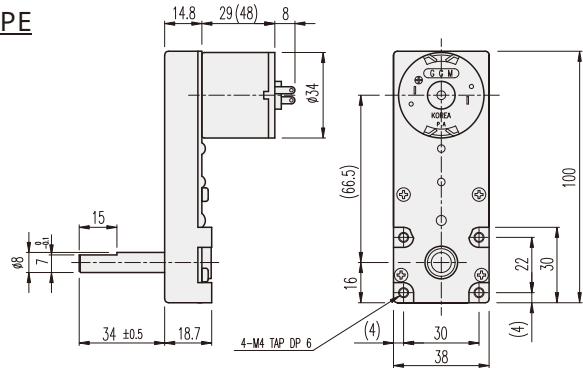
## KGF-TYPE

### DIMENSIONS

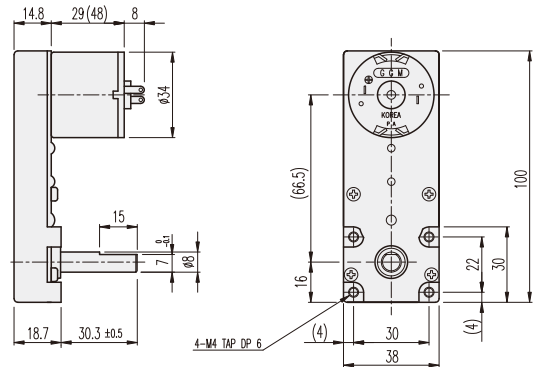
#### KGF SERIES



F TYPE



R TYPE



#### AT MAXIMUM EFFICIENCY (KGF-□□□□-KD3429□□)

GEAR	MODEL	KD3429S1		KD3429S2		KD3429T1		KD3429T2		KD3429P1		KD3429P2	
		DC 12V		DC 24V		DC 12V		DC 24V		DC 12V		DC 24V	
		rpm	kgf-cm	rpm	kgf-cm	rpm	kgf-cm	rpm	kgf-cm	rpm	kgf-cm	rpm	kgf-cm
1/0057		79	1.3	79	1.3	114	1.3	114	1.3	140	2.6	140	1.3
1/0100		45	2.4	45	2.4	65	2.4	65	2.4	80	4.8	80	2.4
1/0130		34.6	3.1	34.6	3.1	50	3.1	50	3.1	61.5	6.2	61.5	3.1
1/0188		23.9	4.4	23.9	4.4	34.6	4.4	34.6	4.4	42.6	8.8	42.6	4.4
1/0255		17.6	6	17.6	6	25.5	6	25.5	6	31.4	12	31.4	6

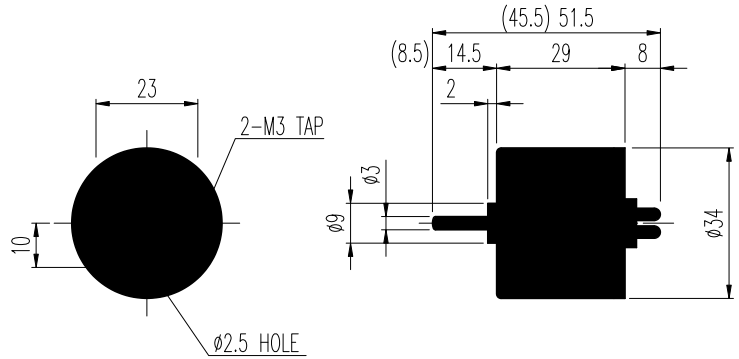
#### AT MAXIMUM EFFICIENCY (KGF-□□□□-KD3448□□)

GEAR	MODEL	KD3448S1		KD3448S2		KD3448T1		KD3448T2		KD3448P1		KD3448P2	
		DC 12V		DC 24V		DC 12V		DC 24V		DC 12V		DC 24V	
		rpm	kgf-cm	rpm	kgf-cm	rpm	kgf-cm	rpm	kgf-cm	rpm	kgf-cm	rpm	kgf-cm
1/0057		79	2.6	79	2.6	114	2.6	114	2.6	140	2.6	140	2.6
1/0100		45	4.8	45	4.8	65	4.8	65	4.8	80	4.8	80	4.8
1/0130		34.6	6.2	34.6	6.2	50	6.2	50	6.2	61.5	6.2	61.5	6.2
1/0188		23.9	8.8	23.9	8.8	34.6	8.8	34.6	8.8	42.6	8.8	42.6	8.8
1/0255		17.6	12	17.6	12	25.5	12	25.5	12	31.4	12	31.4	12

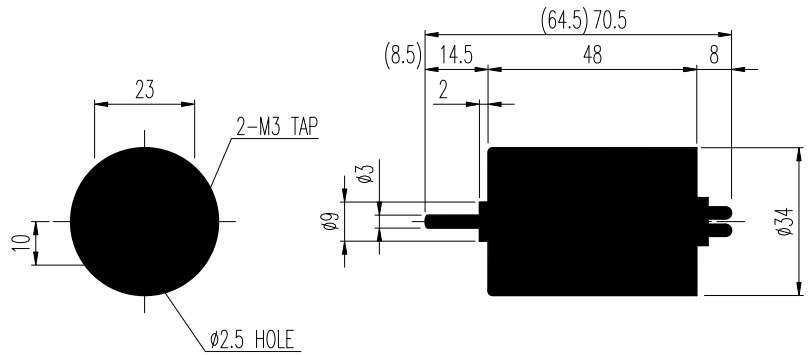
\* These ratios are opposite with motor rotation direction.  
\* The standard is R-TYPE.

# GGM GGM GEARED MOTOR

## KD3429□□ SERIES



## KD3448□□ SERIES



## ENCODER SERIES

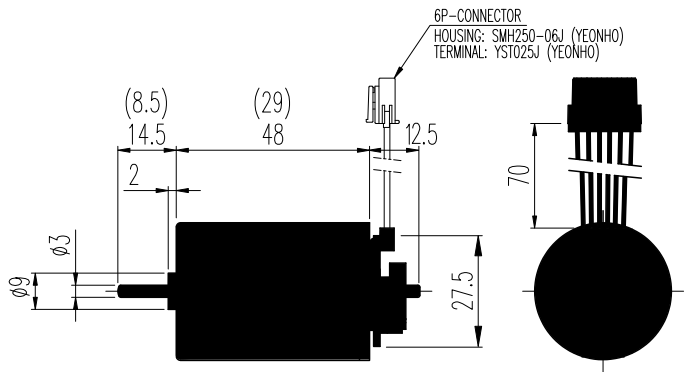
### KD3429□□-E & 3448□□-E



6P-CONNECTOR  
Wire connection contents

1	DC MOOTR (+) Voltage	In case of supplying power MOTOR CCW-Turning
2	DC MOOTR (-) Voltage	
3	H/SENSOR (+) Voltage	Vcc (+) DC 5 ~ 24V
4	H/SENSOR (-) Voltage	GROUND
5	H/SENSOR #1 OUT	OPEN COLLECTOR MAX. DC 24V -50mA
6	H/SENSOR #1 OUT	

20Pole 10Pulse INCREMENTAL TYPE



## PERFORMANCE DATA

