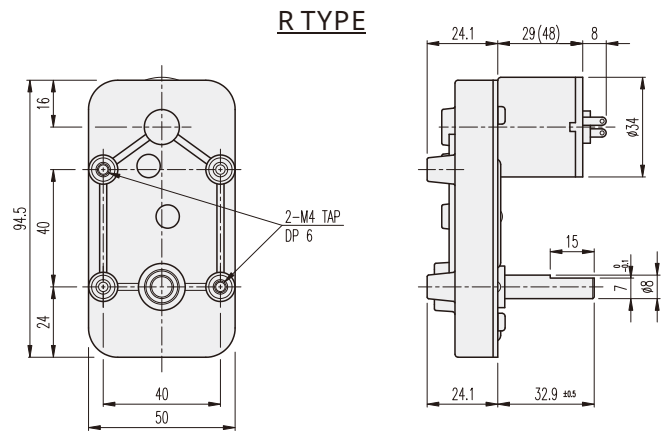
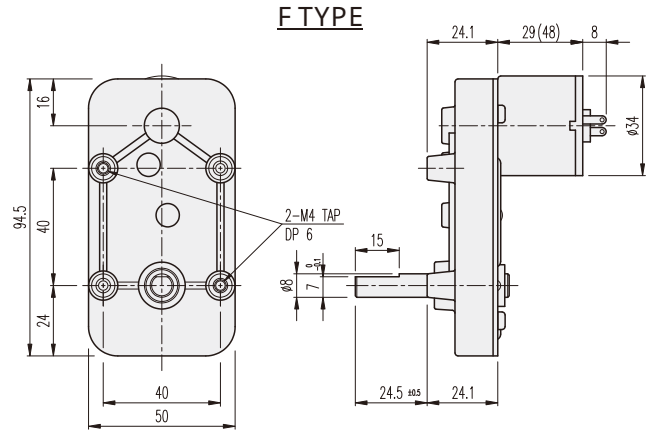


KGN-TYPE

DIMENSIONS

KGN SERIES



AT MAXIMUM EFFICIENCY (KGN-□□□□-KD3429□□)

GEAR	MODEL	KD3429S1		KD3429S2		KD3429T1		KD3429T2		KD3429P1		KD3429P2	
		DC 12V		DC 24V		DC 12V		DC 24V		DC 12V		DC 24V	
		rpm	kgf-cm	rpm	kgf-cm	rpm	kgf-cm	rpm	kgf-cm	rpm	kgf-cm	rpm	kgf-cm
1/0043		104.7	1.3	104.7	1.3	151	1.3	151	1.3	186	2.5	186	1.3
1/0050		90	1.5	90	1.5	130	1.5	130	1.5	160	2.9	160	1.5
1/0105		42.9	3	42.9	3	62	3	62	3	76.2	6	76.2	3

AT MAXIMUM EFFICIENCY (KGN-□□□□-KD3448□□)

GEAR	MODEL	KD3448S1		KD3448S2		KD3448T1		KD3448T2		KD3448P1		KD3448P2	
		DC 12V		DC 24V		DC 12V		DC 24V		DC 12V		DC 24V	
		rpm	kgf-cm	rpm	kgf-cm	rpm	kgf-cm	rpm	kgf-cm	rpm	kgf-cm	rpm	kgf-cm
1/0043		104.7	2.5	104.7	2.5	151	2.5	151	2.5	186	2.5	186	2.5
1/0050		90	2.9	90	2.9	130	2.9	130	2.9	160	2.9	160	2.9
1/0105		42.9	6	42.9	6	62	6	62	6	76.2	6	76.2	6

* 감속비전체 MOTOR와 출력축의 회전방향이 반대입니다.