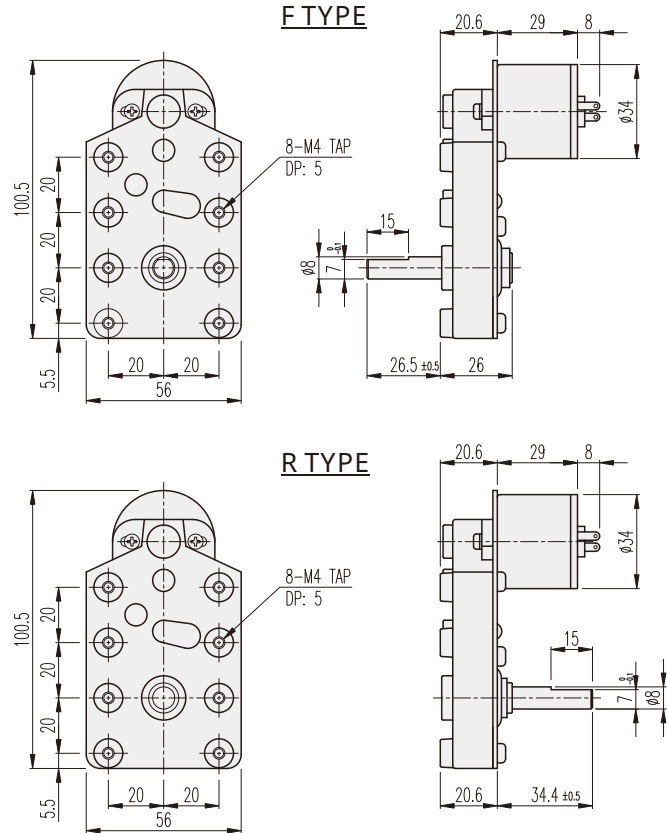


KGE-TYPE

DIMENSIONS

KGE-3429 SERIES



AT MAXIMUM EFFICIENCY (KGE-□□□□-KD3429□□)

| GEAR | MODEL | | KD3429S1 | | KD3429S2 | | KD3429T1 | | KD3429T2 | | KD3429P1 | | KD3429P2 | |
|--------|-------|--------|----------|--------|----------|--------|----------|--------|----------|--------|----------|--------|----------|--------|
| | | | DC 12V | | DC 24V | | DC 12V | | DC 24V | | DC 12V | | DC 24V | |
| | rpm | kgf-cm | rpm | kgf-cm | rpm | kgf-cm | rpm | kgf-cm | rpm | kgf-cm | rpm | kgf-cm | rpm | kgf-cm |
| 1/0022 | 205 | 0.6 | 205 | 0.6 | 295 | 0.6 | 295 | 0.6 | 364 | 1.3 | 364 | 0.6 | | |
| 1/0034 | 132 | 1 | 132 | 1 | 191 | 1 | 191 | 1 | 235 | 2 | 235 | 1 | | |
| 1/0043 | 104.7 | 1.3 | 104.7 | 1.3 | 151 | 1.3 | 151 | 1.3 | 186 | 2.5 | 186 | 1.3 | | |
| 1/0050 | 90 | 1.5 | 90 | 1.5 | 130 | 1.5 | 130 | 1.5 | 160 | 2.9 | 160 | 1.5 | | |
| 1/0062 | 72.6 | 1.8 | 72.6 | 1.8 | 105 | 1.8 | 105 | 1.8 | 129 | 3.6 | 129 | 1.8 | | |
| 1/0068 | 66.2 | 2 | 66.2 | 2 | 95.5 | 2 | 95.5 | 2 | 117.6 | 4 | 117.6 | 2 | | |
| 1/0083 | 54.2 | 2.4 | 54.2 | 2.4 | 78.3 | 2.4 | 78.3 | 2.4 | 96.4 | 4.8 | 96.4 | 2.4 | | |
| 1/0105 | 42.9 | 3 | 42.9 | 3 | 62 | 3 | 62 | 3 | 76.2 | 6.1 | 76.2 | 3 | | |
| 1/0116 | 38.8 | 3.4 | 38.8 | 3.4 | 56 | 3.4 | 56 | 3.4 | 69 | 6.8 | 69 | 3.4 | | |
| 1/0162 | 27.8 | 4.3 | 27.8 | 4.3 | 40 | 4.3 | 40 | 4.3 | 49.4 | 8.5 | 49.4 | 4.3 | | |
| 1/0182 | 24.7 | 4.8 | 24.7 | 4.8 | 35.7 | 4.8 | 35.7 | 4.8 | 44 | 9.6 | 44 | 4.8 | | |
| 1/0204 | 22 | 5.4 | 22 | 5.4 | 31.8 | 5.4 | 31.8 | 5.4 | 39.2 | 10.7 | 39.2 | 5.4 | | |
| 1/0240 | 18.8 | 6.3 | 18.8 | 6.3 | 27.1 | 6.3 | 27.1 | 6.3 | 33.3 | 12.6 | 33.3 | 6.3 | | |
| 1/0308 | 14.6 | 8.1 | 14.6 | 8.1 | 21.1 | 8.1 | 21.1 | 8.1 | 26 | 16.2 | 26 | 8.1 | | |
| 1/0350 | 12.9 | 9.2 | 12.9 | 9.2 | 18.6 | 9.2 | 18.6 | 9.2 | 22.9 | 18.4 | 22.9 | 9.2 | | |
| 1/0452 | 10 | 11.9 | 10 | 11.9 | 14.4 | 11.9 | 14.4 | 11.9 | 17.7 | 20 | 17.7 | 11.9 | | |
| 1/0615 | 7.3 | 16.1 | 7.3 | 16.1 | 10.5 | 16.1 | 10.5 | 16.1 | 13 | 20 | 13 | 16.1 | | |
| 1/0687 | 6.5 | 18 | 6.5 | 18 | 9.5 | 18 | 9.5 | 18 | 11.6 | 20 | 11.6 | 18 | | |

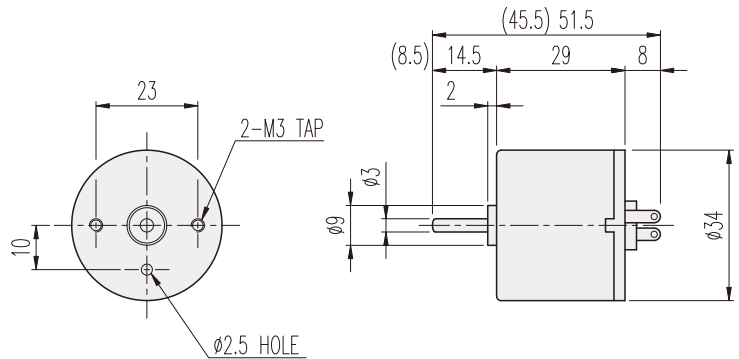
* 彩色齒輪比與電動機的旋轉方向相同。

* 標準是F-TYPE。

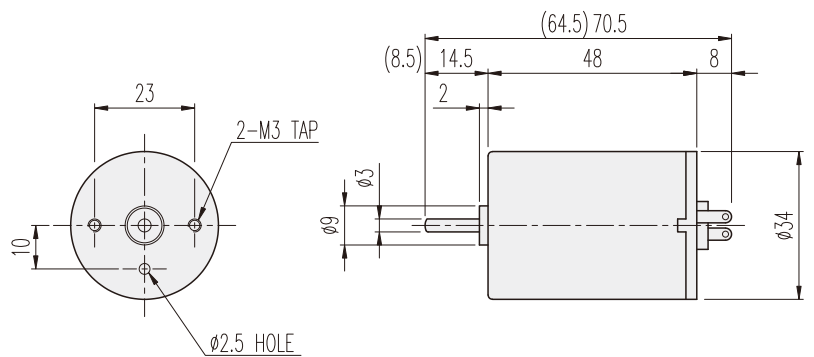
KD□-34□□-TYPE

DIMENSIONS

KD3429□□ SERIES



KD3448□□ SERIES



ENCODER SERIES

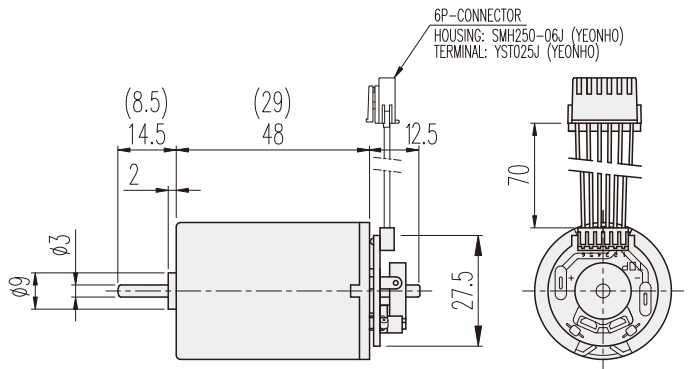
KD3429□□-E & 3448□□-E



6P-CONNECTOR 接线内容

| No.1 | 連接内容 | 備註 |
|------|-----------------|-------------------------------------|
| 1 | DC MOOTR (+) 電源 | 供電時 |
| 2 | DC MOOTR (-) 電源 | MOTOR CCW - 逆轉 |
| 3 | H/SENSOR (+) 電源 | Vcc (+) DC 5 ~ 24V |
| 4 | H/SENSOR (-) 電源 | GROUND |
| 5 | H/SENSOR #1 OUT | OPEN COLLECTOR MAX. DC 24V -50mA |
| 6 | H/SENSOR #1 OUT | |

20極10脈衝 INCREMENTAL TYPE



PERFORMANCE DATA

| MODEL | ITEM | VOLTAGE (DC) | NO LOAD | | AT MAX. EFF. | | STALL | | WEIGHT (g) |
|-------|----------|--------------|---------|------|--------------|-----|-------|-----|------------|
| | | | mA | rpm | gf-cm | A | rpm | A | |
| 90 | KD3429S1 | 12V | 120 | 5200 | 40 | 0.3 | 4500 | 1.7 | 360 |
| | KD3429S2 | 24V | 70 | 5200 | 40 | 0.2 | 4500 | 1 | 370 |
| | KD3429T1 | 12V | 150 | 7500 | 40 | 0.5 | 6500 | 3.8 | 420 |
| | KD3429T2 | 24V | 80 | 7500 | 40 | 0.2 | 6500 | 1.2 | 320 |
| 140 | KD3429P1 | 12V | 200 | 9500 | 80 | 1 | 8000 | 3.8 | 330 |
| | KD3429P2 | 24V | 100 | 9500 | 40 | 0.3 | 8000 | 2 | 350 |
| | KD3448S1 | 12V | 150 | 5200 | 80 | 0.5 | 4500 | 3.2 | 830 |
| | KD3448S2 | 24V | 80 | 5200 | 80 | 0.3 | 4500 | 2 | 790 |
| | KD3448T1 | 12V | 220 | 7500 | 80 | 0.7 | 6500 | 5 | 730 |
| | KD3448T2 | 24V | 100 | 7500 | 80 | 0.4 | 6500 | 3 | 700 |
| | KD3448P1 | 12V | 300 | 9000 | 80 | 0.8 | 8000 | 5.5 | 670 |
| | KD3448P2 | 24V | 200 | 9000 | 80 | 0.5 | 8000 | 3.5 | 750 |