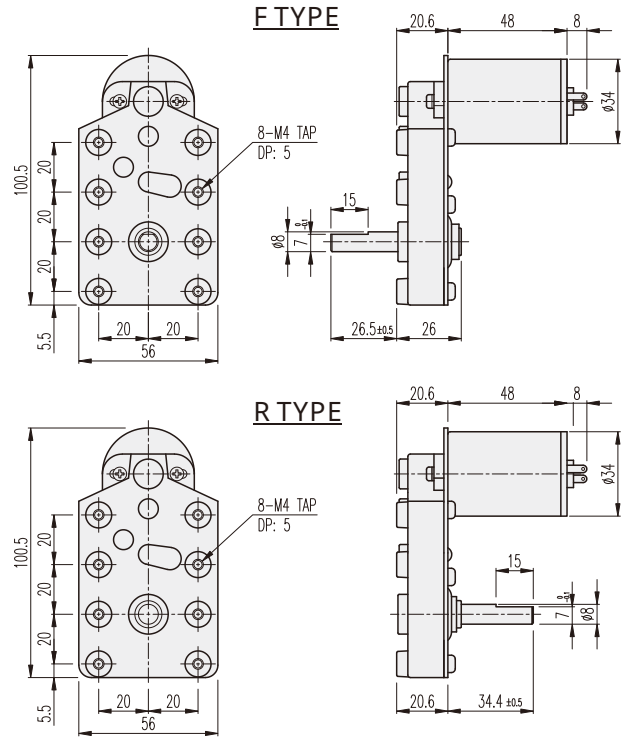


KGE-TYPE


DIMENSIONS

KGE-3448 SERIES



AT MAXIMUM EFFICIENCY (KGE-□□□□-KD3448□□)

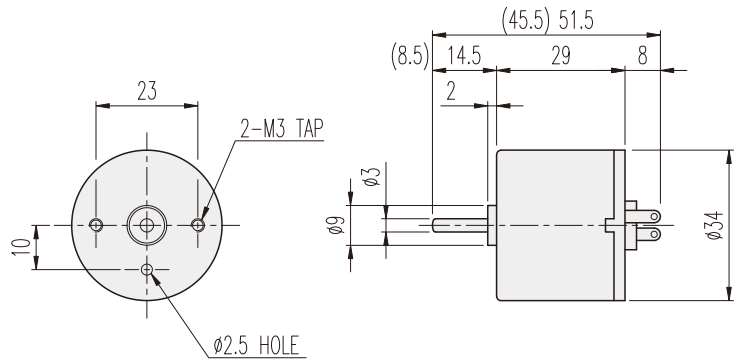
GEAR	MODEL		KD3448S1		KD3448S2		KD3448T1		KD3448T2		KD3448P1		KD3448P2	
			DC 12V		DC 24V		DC 12V		DC 24V		DC 12V		DC 24V	
	rpm	kgf-cm	rpm	kgf-cm	rpm	kgf-cm	rpm	kgf-cm	rpm	kgf-cm	rpm	kgf-cm	rpm	kgf-cm
1/0022	205	1.3	205	1.3	295	1.3	295	1.3	364	1.3	364	1.3		
1/0034	132	2	132	2	191	2	191	2	235	2	235	2		
1/0043	104.7	2.5	104.7	2.5	151	2.5	151	2.5	186	2.5	186	2.5		
1/0050	90	2.9	90	2.9	130	2.9	130	2.9	160	2.9	160	2.9		
1/0062	72.6	3.6	72.6	3.6	105	3.6	105	3.6	129	3.6	129	3.6		
1/0068	66.2	4	66.2	4	95.5	4	95.5	4	117.6	4	117.6	4		
1/0083	54.2	4.8	54.2	4.8	78.3	4.8	78.3	4.8	96.4	4.8	96.4	4.8		
1/0105	42.9	6.1	42.9	6.1	62	6.1	62	6.1	76.2	6.1	76.2	6.1		
1/0116	38.8	6.8	38.8	6.8	56	6.8	56	6.8	69	6.8	69	6.8		
1/0162	27.8	8.5	27.8	8.5	40	8.5	40	8.5	49.4	8.5	49.4	8.5		
1/0182	24.7	9.6	24.7	9.6	35.7	9.6	35.7	9.6	44	9.6	44	9.6		
1/0204	22	10.7	22	10.7	31.8	10.7	31.8	10.7	39.2	10.7	39.2	10.7		
1/0240	18.8	12.6	18.8	12.6	27.1	12.6	27.1	12.6	33.3	12.6	33.3	12.6		
1/0308	14.6	16.2	14.6	16.2	21.1	16.2	21.1	16.2	26	16.2	26	16.2		
1/0350	12.9	18.4	12.9	18.4	18.6	18.4	18.6	18.4	22.9	18.4	22.9	18.4		
1/0452	10	20	10	20	14.4	20	14.4	20	17.7	20	17.7	20		
1/0615	7.3	20	7.3	20	10.5	20	10.5	20	13	20	13	20		
1/0687	6.5	20	6.5	20	9.5	20	9.5	20	11.6	20	11.6	20		

*  彩色齒輪比與電動機的旋轉方向相同。
* 標準是F-TYPE。

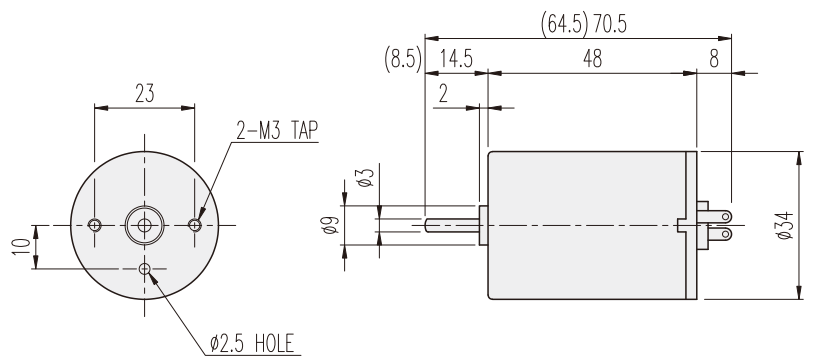
KD□-34□□-TYPE

DIMENSIONS

KD3429□□ SERIES



KD3448□□ SERIES



ENCODER SERIES

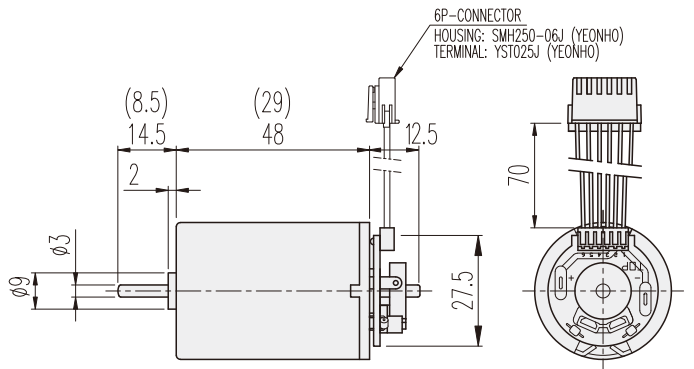
KD3429□□-E & 3448□□-E



6P-CONNECTOR 接线内容

No.1	連接內容	備註
1	DC MOOTR (+) 電源	供電時
2	DC MOOTR (-) 電源	MOTOR CCW - 逆轉
3	H/SENSOR (+) 電源	Vcc (+) DC 5 ~ 24V
4	H/SENSOR (-) 電源	GROUND
5	H/SENSOR #1 OUT	OPEN COLLECTOR MAX. DC 24V -50mA
6	H/SENSOR #1 OUT	

20極10脈衝 INCREMENTAL TYPE



PERFORMANCE DATA

MODEL	ITEM	VOLTAGE (DC)	NO LOAD		AT MAX. EFF.		STALL		WEIGHT (g)
			mA	rpm	gf-cm	A	rpm	A	
90	KD3429S1	12V	120	5200	40	0.3	4500	1.7	360
	KD3429S2	24V	70	5200	40	0.2	4500	1	370
	KD3429T1	12V	150	7500	40	0.5	6500	3.8	420
	KD3429T2	24V	80	7500	40	0.2	6500	1.2	320
140	KD3429P1	12V	200	9500	80	1	8000	3.8	330
	KD3429P2	24V	100	9500	40	0.3	8000	2	350
	KD3448S1	12V	150	5200	80	0.5	4500	3.2	830
	KD3448S2	24V	80	5200	80	0.3	4500	2	790
	KD3448T1	12V	220	7500	80	0.7	6500	5	730
	KD3448T2	24V	100	7500	80	0.4	6500	3	700
	KD3448P1	12V	300	9000	80	0.8	8000	5.5	670
	KD3448P2	24V	200	9000	80	0.5	8000	3.5	750