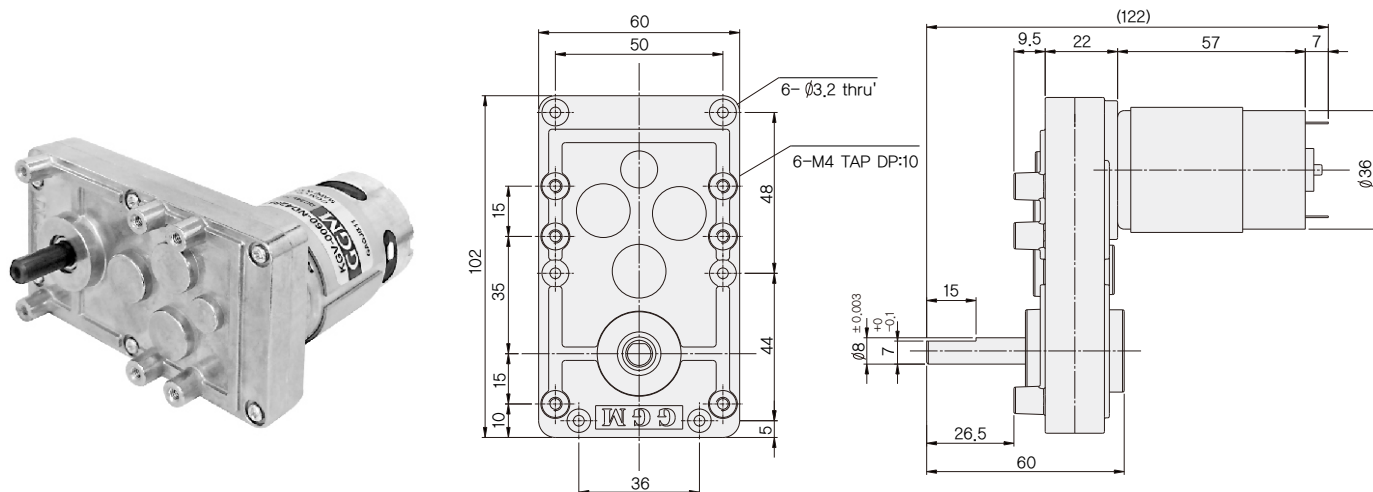


KGV-TYPE

DIMENSIONS

KGV-3657 SERIES



MOTOR PERFORMANCE DATA

MODEL	ITEM	VOLTAGE (DC)	NO LOAD		AT MAX. EFF.			STALL		WEIGHT (g)
			mA	rpm	gf-cm	A	rpm	A	kgf-cm	
KD3657U1		12V	300	6000	200	1.5	5000	10	1.6	218
KD3657U2		24V	150			0.9		5		

AT MAXIMUM EFFICIENCY

GEAR	MODEL	KD3657U1		KD3657U2	
		DC 12V		DC 24V	
		rpm	kgf-cm	rpm	kgf-cm
1/0060		83	6.9	83	6.9
1/0090		55	10.4	55	10.4
1/0105		47	12	47	12
1/0120		41	13.9	41	13.9

* 將電機 (+) 電纜連接到 (+) 電源時，輸出軸將順時針旋轉。