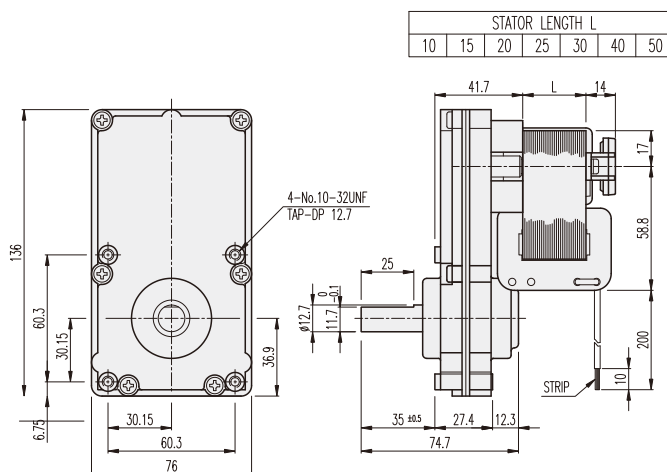
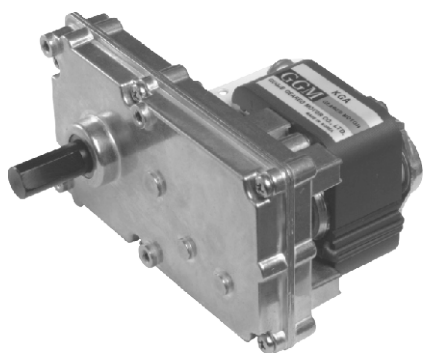


## KGA-TYPE

### DIMENSIONS

#### KGA SERIES



#### AT MAXIMUM EFFICIENCY (KGA-□□□□-KA61□□AE)

MOTOR	KA6120AE				KA6130AE				KA6140AE				KA6150AE			
	50		60		50		60		50		60		50		60	
	rpm	kgf-cm	rpm	kgf-cm	rpm	kgf-cm	rpm	kgf-cm	rpm	kgf-cm	rpm	kgf-cm	rpm	kgf-cm	rpm	kgf-cm
1/0460	5.2	24.1	6.3	19.3	5.2	50.7	6.3	34.1	5.2	56.1	6.3	43.8	5.2	50	6.3	50
1/0998	2.4	50	2.9	50	2.4	50	2.9	50	2.4	50	2.9	50	2.4	50	2.9	50

\* Above data is based on general type of shaded pole motor appliad.  
 \* These gear ratios are same rotation direction with motor.