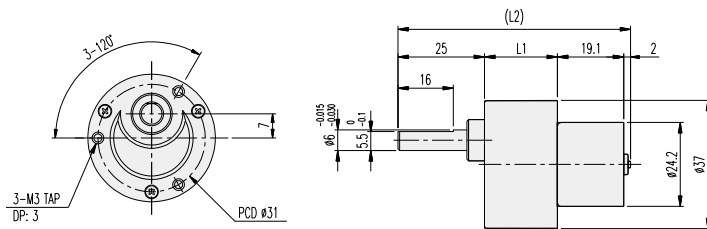


## KGC-TYPE

### DIMENSIONS

#### KGC-2419 BLDC SERIES



GEARHEAD LENGTH

RATIO	L1	L2
1/002 ~ 1/030	21	67.1
1/040 ~ 1/180	29	75.1
1/200 ~ 1/2430	33.7	79.8

#### BLDC MOTOR PERFORMANCE DATA

MODEL	ITEM	VOLTAGE (DC)	NO LOAD		AT MAX. EFF.			WEIGHT (g)
			mA	rpm	gf-cm	mA	rpm	
KB2419U1		12V	120	6200	25	200	4500	30
KB2419R2		24V	100	8700	18	180	7200	

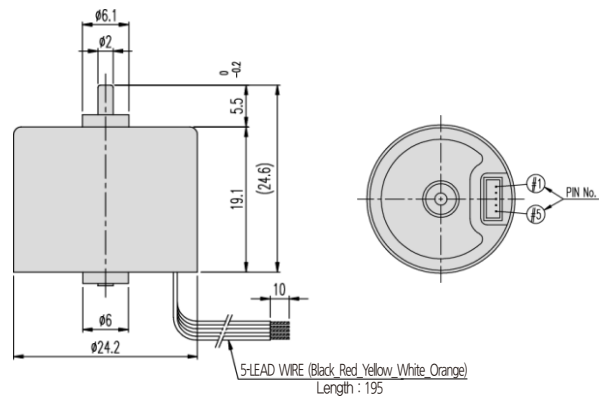
#### AT MAXIMUM EFFICIENCY

GEAR	MODEL	KB2419U1		KB2419R2	
		DC 12V		DC 24V	
		rpm	kgf-cm	rpm	kgf-cm
1/0002		2250	0.03	3600	0.02
1/0003		1500	0.05	2400	0.03
1/0005		900	0.08	1440	0.06
1/0010		450	0.16	720	0.12
1/0015		300	0.22	480	0.16
1/0020		225	0.29	360	0.21
1/0025		180	0.36	288	0.26
1/0030		150	0.44	240	0.31
1/0040		112.5	0.52	180	0.38
1/0050		90	0.66	144	0.47
1/0060		75	0.79	120	0.57
1/0070		64.3	0.92	102.9	0.66
1/0080		56.3	0.94	90	0.68
1/0083		54.2	0.98	86.7	0.71
1/0090		50	1.18	80	0.85
1/0100		45	1.18	72	0.85
1/0120		37.5	1.42	60	1.02
1/0150		30	1.77	48	1.28
1/0180		25	2.13	40	1.53
1/0200		22.5	2.13	36	1.53
1/0210		21.4	2.48	34.3	1.79
1/0240		18.8	2.55	30	1.84
1/0300		15	3.19	24	2.3
1/0360		12.5	3.83	20	2.75
1/0400		11.3	4.78	18	3.44
1/0500		9	4.78	14.4	3.44
1/0600		7.5	5.74	12	4.13
1/0750		6	6	9.6	5.17
1/0900		5	6	8.0	6
1/1080		4.2	6	7	6
1/1350		3.3	6	5.3	6
1/1620		2.8	6	4.4	6
1/2430		1.9	6	3	6

#### How to connect when speed control is not needed.

No - Color	Pin - Contents	Connection Method
1 - Black	GND	connecting to (-) power
2 - Red	12V	connecting to (+) power
3 - Yellow	1FG	No Use
4 - White	PWM	CW connecting to (-) power
5 - Orange	CW/CCW	Normal Open, CCW connecting to (-) power

\* Please be cautious that Motor can be damaged when connected to incorrect power (+) (-).



- \*          color gear ratios are same rotation direction with motor.
- \* Proceed function change in motor stop type.
- \* Controller for speed control is GUN type.