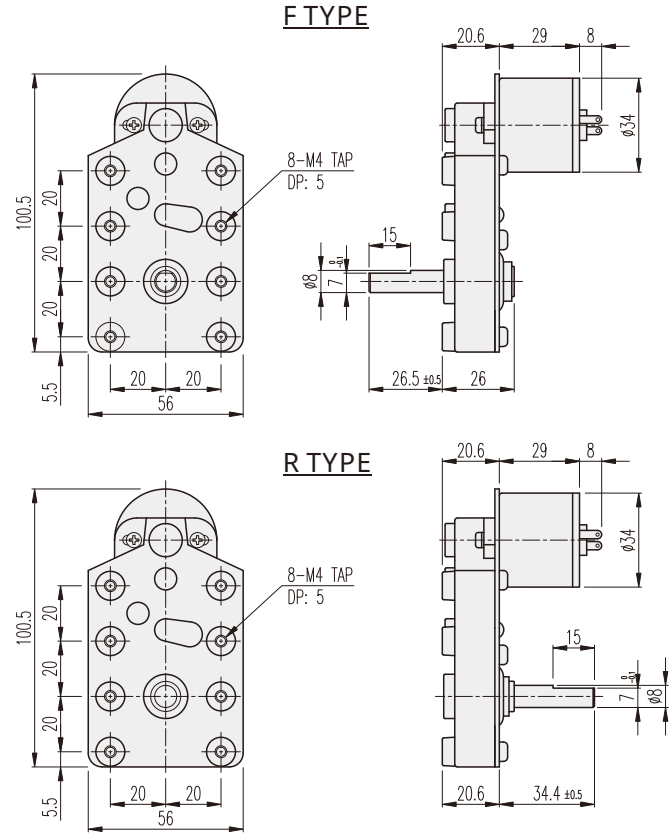


## KGE-TYPE

### DIMENSIONS

#### KGE-3429 SERIES



#### AT MAXIMUM EFFICIENCY (KGE-□□□□-KD3429□□)

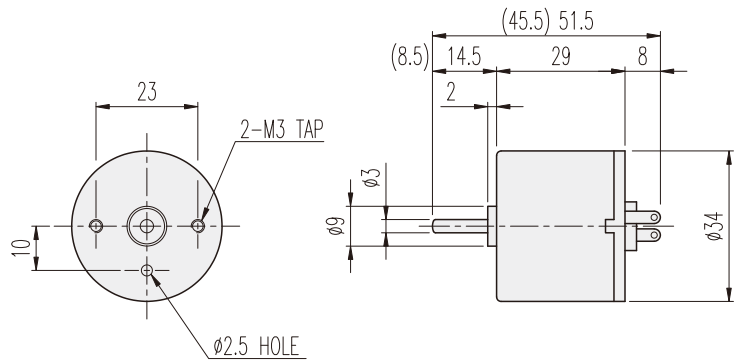
GEAR	MODEL		KD3429S1		KD3429S2		KD3429T1		KD3429T2		KD3429P1		KD3429P2	
			DC 12V		DC 24V		DC 12V		DC 24V		DC 12V		DC 24V	
	rpm	kgf-cm	rpm	kgf-cm	rpm	kgf-cm	rpm	kgf-cm	rpm	kgf-cm	rpm	kgf-cm	rpm	kgf-cm
1/0022	205	0.6	205	0.6	295	0.6	295	0.6	364	1.3	364	0.6		
1/0034	132	1	132	1	191	1	191	1	235	2	235	1		
1/0043	104.7	1.3	104.7	1.3	151	1.3	151	1.3	186	2.5	186	1.3		
1/0050	90	1.5	90	1.5	130	1.5	130	1.5	160	2.9	160	1.5		
1/0062	72.6	1.8	72.6	1.8	105	1.8	105	1.8	129	3.6	129	1.8		
1/0068	66.2	2	66.2	2	95.5	2	95.5	2	117.6	4	117.6	2		
1/0083	54.2	2.4	54.2	2.4	78.3	2.4	78.3	2.4	96.4	4.8	96.4	2.4		
1/0105	42.9	3	42.9	3	62	3	62	3	76.2	6.1	76.2	3		
1/0116	38.8	3.4	38.8	3.4	56	3.4	56	3.4	69	6.8	69	3.4		
1/0162	27.8	4.3	27.8	4.3	40	4.3	40	4.3	49.4	8.5	49.4	4.3		
1/0182	24.7	4.8	24.7	4.8	35.7	4.8	35.7	4.8	44	9.6	44	4.8		
1/0204	22	5.4	22	5.4	31.8	5.4	31.8	5.4	39.2	10.7	39.2	5.4		
1/0240	18.8	6.3	18.8	6.3	27.1	6.3	27.1	6.3	33.3	12.6	33.3	6.3		
1/0308	14.6	8.1	14.6	8.1	21.1	8.1	21.1	8.1	26	16.2	26	8.1		
1/0350	12.9	9.2	12.9	9.2	18.6	9.2	18.6	9.2	22.9	18.4	22.9	9.2		
1/0452	10	11.9	10	11.9	14.4	11.9	14.4	11.9	17.7	20	17.7	11.9		
1/0615	7.3	16.1	7.3	16.1	10.5	16.1	10.5	16.1	13	20	13	16.1		
1/0687	6.5	18	6.5	18	9.5	18	9.5	18	11.6	20	11.6	18		

\*   color gear ratios are same rotation direction with motor.  
 \* The standard is F-TYPE.

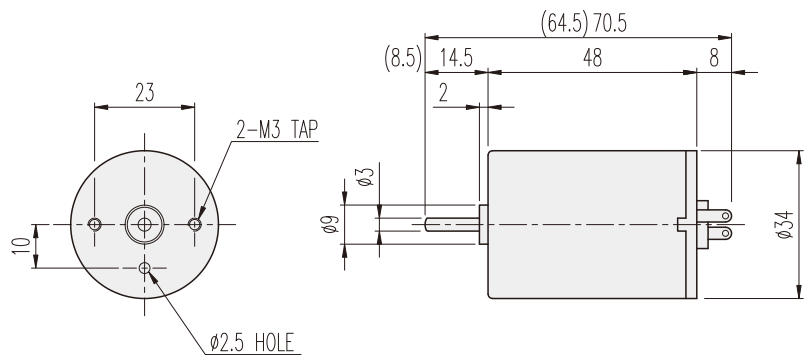
## KD□-34□□-TYPE

### DIMENSIONS

#### KD3429□□ SERIES



#### KD3448□□ SERIES



#### ENCODER SERIES

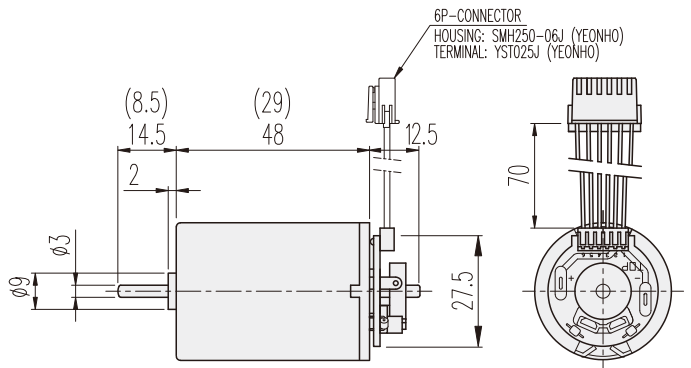
#### KD3429□□-E & 3448□□-E



6P-CONNECTOR  
Wire connection contents

No.1	Wire connection contents	Remarks
1	DC MOOTR (+) Voltage	In case of supplying power MOTOR CCW-Turning
2	DC MOOTR (-) Voltage	
3	H/SENSOR (+) Voltage	Vcc (+) DC 5 ~ 24V
4	H/SENSOR (-) Voltage	GROUND
5	H/SENSOR #1 OUT	OPEN COLLECTOR MAX. DC 24V -50mA
6	H/SENSOR #1 OUT	

20Pole 10Pulse INCREMENTAL TYPE



#### PERFORMANCE DATA

MODEL	ITEM	VOLTAGE (DC)	NO LOAD		AT MAX. EFF.		STALL		WEIGHT (g)	
			mA	rpm	gf-cm	A	rpm	A		gf-cm
KD3429S1		12V	120	5200	40	0.3	4500	1.7	360	90
KD3429S2		24V	70	5200	40	0.2	4500	1	370	
KD3429T1		12V	150	7500	40	0.5	6500	3.8	420	
KD3429T2		24V	80	7500	40	0.2	6500	1.2	320	
KD3429P1		12V	200	9500	80	1	8000	3.8	330	140
KD3429P2		24V	100	9500	40	0.3	8000	2	350	
KD3448S1		12V	150	5200	80	0.5	4500	3.2	830	
KD3448S2		24V	80	5200	80	0.3	4500	2	790	
KD3448T1		12V	220	7500	80	0.7	6500	5	730	
KD3448T2		24V	100	7500	80	0.4	6500	3	700	
KD3448P1		12V	300	9000	80	0.8	8000	5.5	670	
KD3448P2		24V	200	9000	80	0.5	8000	3.5	750	