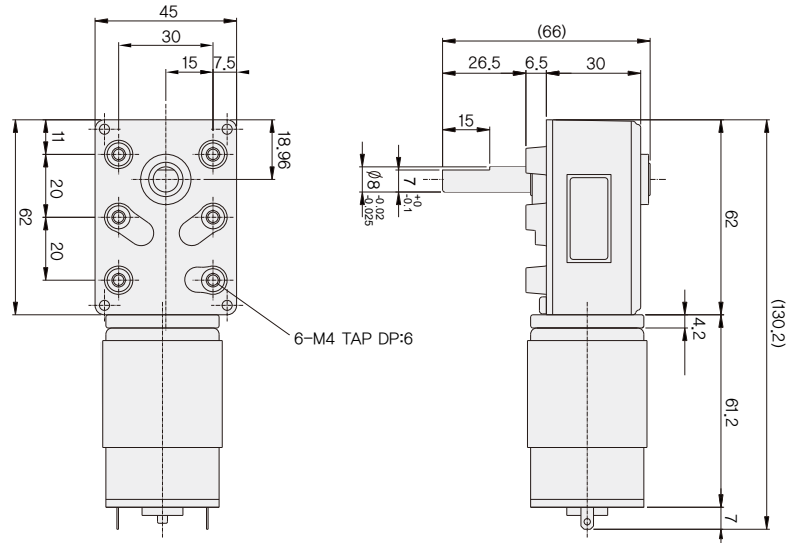


DIMENSIONS

KWB-3657 SERIES



MOTOR PERFORMANCE DATA

MODEL	ITEM	VOLTAGE (DC)	NO LOAD		AT MAX. EFF.			STALL		WEIGHT (g)
			mA	rpm	gf-cm	A	rpm	A	kgf-cm	
KD3657U1		12V	300	6000	200	1.5	5000	10	1.6	218
KD3657U2		24V	150	6000	200	0.9	5000	5	1.6	

AT MAXIMUM EFFICIENCY

GEAR	MODEL	KD3657U1		KD3657U2	
		DC 12V		DC 24V	
		rpm	kgf-cm	rpm	kgf-cm
1/0070		71.4	2.7	71.4	2.7
1/0100		50	3.9	50	3.9
1/0130		38.4	5.1	38.4	5.1
1/0160		31.2	6.2	31.2	6.2
1/0200		25	7.8	25	7.8
1/0260		19.2	10.1	19.2	10.1
1/0330		15	12.8	15	12.8
1/0400		12.5	15.6	12.5	15.6
1/0450		11	17.5	11	17.5
1/0500		10	19.4	10	19.4
1/0600		8.3	20	8.3	20
1/0750		6.6	20	6.6	20
1/0925		5.4	20	5.4	20
1/1000		5	20	5	20
1/1800		2.8	20	2.8	20

* color gear ratios are same rotation direction with motor.
 * The standard is F-TYPE.
 * R type available.