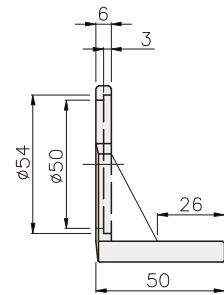
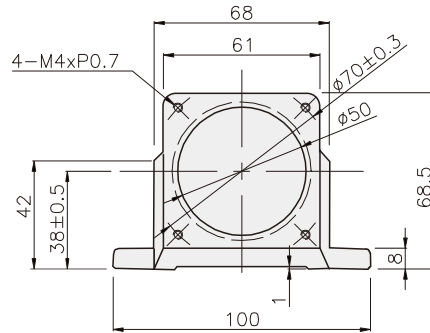
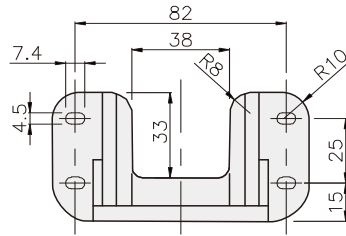


OPTION

MOUNTING BRACKET FOR MOTOR GEARHEAD

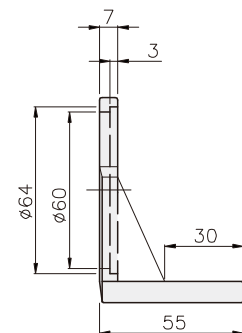
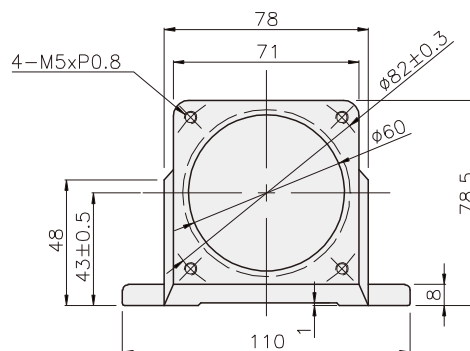
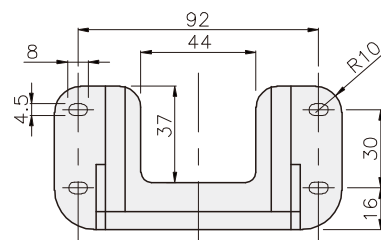
DIMENSIONS

K6B(□60mm)



applied product
MOTOR : K6□S6N□ GEARHEAD : K6G□B(C)
characteristics
Weight 45g, Materials AL

K7B(□70mm)



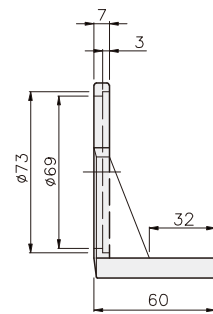
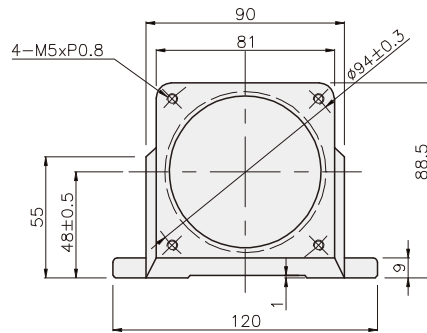
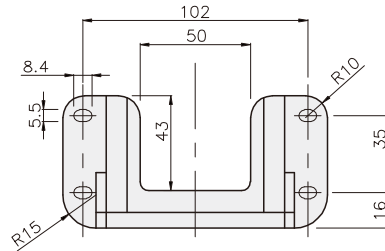
applied product
MOTOR : K7□S15N□ GEARHEAD : K7G□B(C)
characteristics
Weight 75g, Materials AL

OPTION

MOUNTING BRACKET FOR MOTOR GEARHEAD

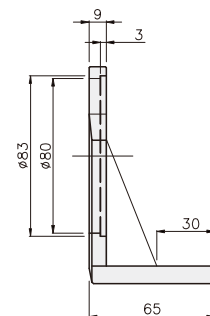
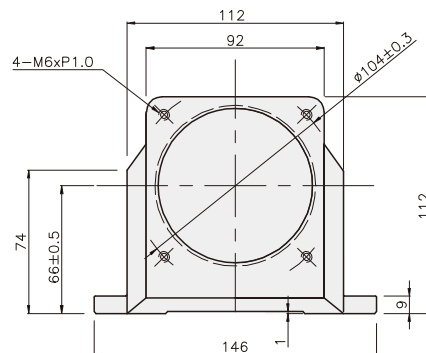
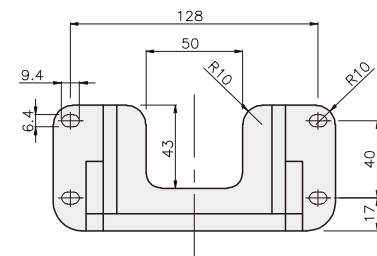
DIMENSIONS

K8B(□80mm)



applied product
MOTOR : K8□S25N□ GEARHEAD : K8G□B(C)
characteristics
Weight 120g, Materials AL

K9B-M6(□90mm)



applied product
MOTOR : K9□S□F□ GEARHEAD : K9G□B, K9P□B
characteristics
Weight 270g, Materials AL

OPTION