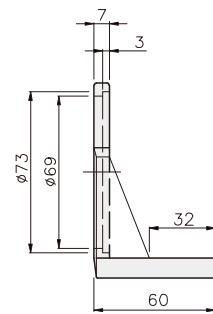
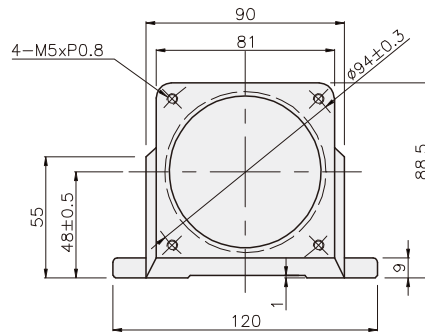
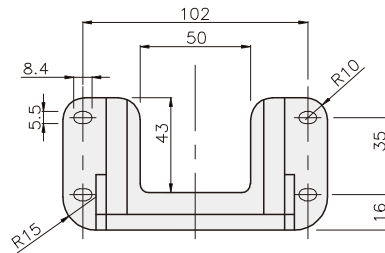


**OPTION**

**MOUNTING BRACKET FOR MOTOR GEARHEAD**

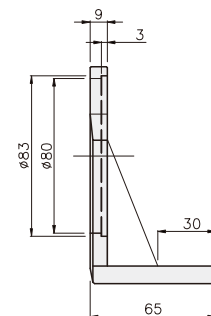
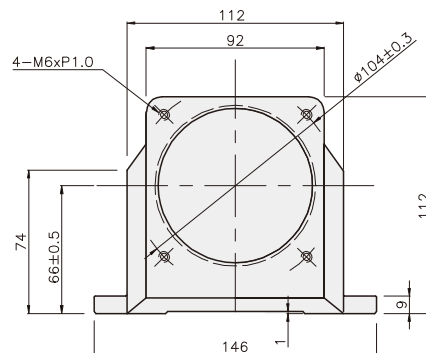
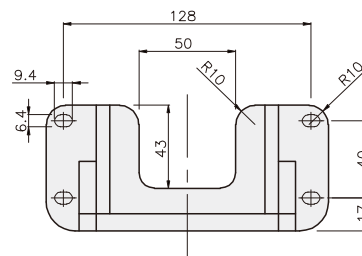
**DIMENSIONS**

K8B(□80mm)



applied product
MOTOR : K8□S25N□ GEARHEAD : K8G□B(C)
characteristics
Weight 120g, Materials AL

K9B-M6(□90mm)



applied product
MOTOR : K9□S□F□ GEARHEAD : K9G□B, K9P□B
characteristics
Weight 270g, Materials AL

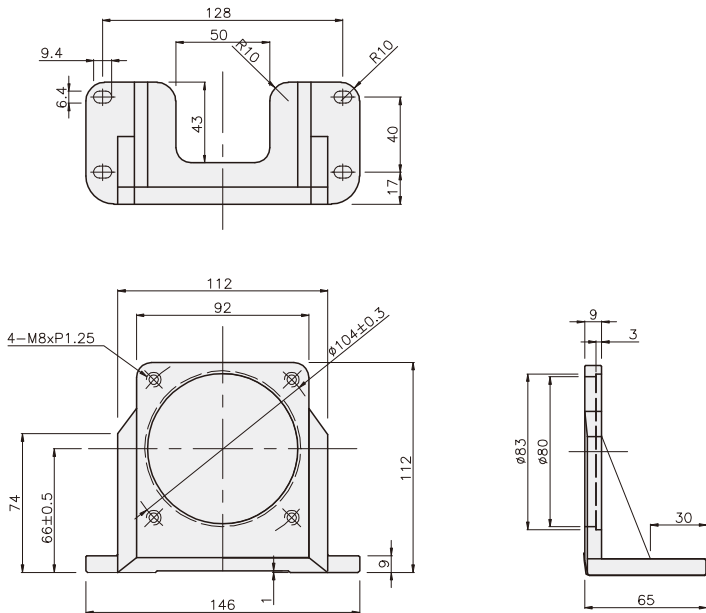
OPTION

**OPTION**

**MOUNTING BRACKET FOR MOTOR GEARHEAD**

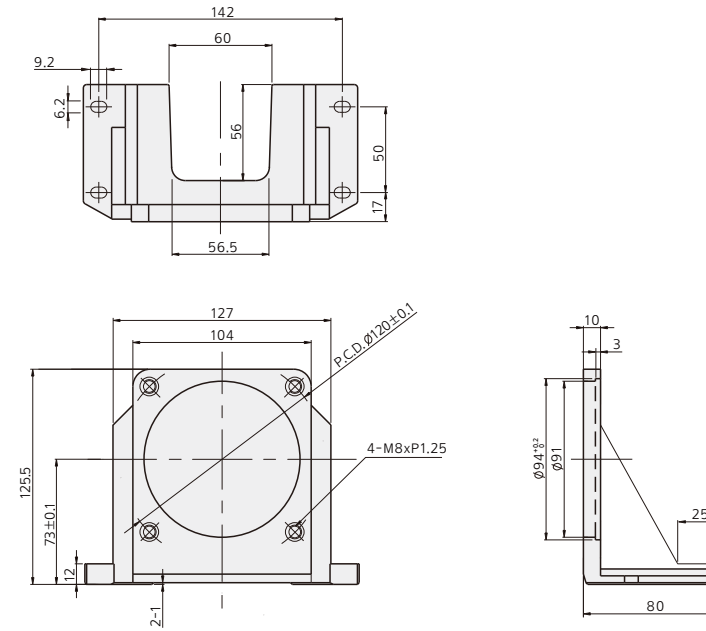
**DIMENSIONS**

**K9B-M8(□90mm)**



applied product
MOTOR : K9□S□F□ GEARHEAD : K9P□BU
characteristics
Weight 270g, Materials AL

**K10B-M8(□104mm)**



applied product
MOTOR : K10□S□F(N)□ GEARHEAD : K10H□B, BU
characteristics
Weight 390g, Materials AL