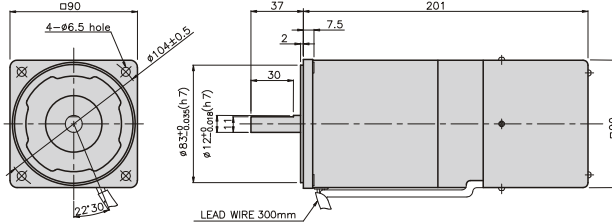


SPEED CONTROL & BRAKE MOTOR

60W

□90mm

K9RS60F□-D



SPECIFICATIONS

60W 30 minutes rating, four poles

Model	Voltage (V)	Frequency (Hz)	Speed Range (rpm)	Permissible Torque		Start T. (N*m/Kgf*cm)	Current (A)	Condenser (μF)	Friction T. (N*m/Kgf*cm)
				1200rpm (N*m/Kgf*cm)	90rpm (N*m/Kgf*cm)				
K9R□60FJ-D	100	50	90 ~ 1400	0,5/5	0,17/1,7	0,3/3	2,5	25	1/10
			90 ~ 1700						
K9R□60FU-D	110	60	90 ~ 1700	0,5/5	0,17/1,7	0,295/2,95	2,1	17	1/10
	115						2,2		
K9R□60FL-D	200	50	90 ~ 1400	0,5/5	0,15/1,5	0,26/2,6	0,72	6	1/10
			90 ~ 1700						
K9R□60FC-D	220	50	90 ~ 1400	0,5/5	0,15/1,5	0,3/3	0,95	5	1/10
			90 ~ 1700				0,48/4,8		
	230	50	90 ~ 1400	0,5/5	0,15/1,5	0,3/3	1		
			90 ~ 1700				0,48/4,8		
K9R□60FD-D	240	50	90 ~ 1400	0,5/5	0,15/1,5	0,32/3,2	1,2	5	1/10

* □ : SHAFT SHAPE (S : STRAIGHT, G : PINION)

RATED TORQUE OF GEARHEAD

● Single-phase 100V/115V

unit = above : N · m / below : kgfcm

Model	Ratio	Speed(rpm)																								
		3	3,6	5	6	7,5	9	10	12,5	15	18	20	25	30	36	40	50	60	75	90	100	120	150	180	200	
K9R□60F□-D K9P□B, BF	1200	1,22 12,2	1,46 14,6	2,03 20,3	2,43 24,3	3,04 30,4	3,65 36,5	4,05 40,5	4,56 45,6	5,47 54,7	6,56 65,6	7,29 72,9	8,20 82,0	9,84 98,4	11,81 118,1	13,12 131,2	16,40 164,0	19,68 196,8	20 200	20 200	20 200	20 200	20 200	20 200	20 200	20 200
	90	0,41 4,1	0,50 5,0	0,69 6,9	0,83 8,3	1,03 10,3	1,24 12,4	1,38 13,8	1,55 15,5	1,86 18,6	2,23 22,3	2,48 24,8	2,79 27,9	3,35 33,5	4,02 40,2	4,46 44,6	5,58 55,8	6,69 66,9	7,53 75,3	9,03 90,3	10,04 100,4	12,05 120,5	15,06 150,6	18,07 180,7	20 200	

● Single-phase 200V/240V

unit = above : N · m / below : kgfcm

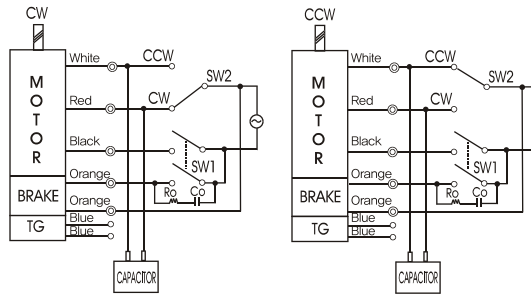
Model	Ratio	Speed(rpm)																								
		3	3,6	5	6	7,5	9	10	12,5	15	18	20	25	30	36	40	50	60	75	90	100	120	150	180	200	
K9R□60F□-D K9P□B, BF	1200	200V/220V/230V/240V/50Hz	1,22 12,2	1,46 14,6	2,03 20,3	2,43 24,3	3,04 30,4	3,65 36,5	4,05 40,5	4,56 45,6	5,47 54,7	6,56 65,6	7,29 72,9	8,20 82,0	9,84 98,4	11,81 118,1	13,12 131,2	16,40 164,0	19,68 196,8	20 200	20 200	20 200	20 200	20 200	20 200	20 200
		200V/220V/230V/60Hz	1,17 11,7	1,40 14,0	1,94 19,4	2,33 23,3	2,92 29,2	3,50 35,0	3,89 38,9	4,37 43,7	5,25 52,5	6,30 63,0	7,00 70,0	7,87 78,7	9,45 94,5	11,34 113,4	12,60 126,0	15,75 157,5	18,90 189,0	20 200	20 200	20 200	20 200	20 200	20 200	20 200
	90	200V/220V/230V/240V/50Hz	0,36 3,6	0,44 4,4	0,61 6,1	0,73 7,3	0,91 9,1	1,09 10,9	1,22 12,2	1,37 13,7	1,64 16,4	1,97 19,7	2,19 21,9	2,46 24,6	2,95 29,5	3,54 35,4	3,94 39,4	4,92 49,2	5,90 59,0	6,64 66,4	7,97 79,7	8,86 88,6	10,63 106,3	13,29 132,9	15,94 159,4	17,71 177,1
		200V/220V/230V/60Hz	0,41 4,1	0,50 5,0	0,69 6,9	0,83 8,3	1,03 10,3	1,24 12,4	1,38 13,8	1,55 15,5	1,86 18,6	2,23 22,3	2,48 24,8	2,79 27,9	3,35 33,5	4,02 40,2	4,46 44,6	5,58 55,8	6,69 66,9	7,53 75,3	9,03 90,3	10,04 100,4	12,05 120,5	15,06 150,6	18,07 180,7	20 200

- * Gearhead and decimal gearhead are sold separately.
- * The code in □ of gearhead model is for gear ratio.
- * color indicates that the output shaft of the geared motor rotates in the same direction as the output shaft of the motor. Others indicate rotation in the opposite direction.
- * If you are to have less ratio than the ratio in the table, you can install the decimal gearhead, which has one tenth of the ratio, between the gearhead and the motor. In this case, the permissible torque is 20N · m/200kgfcm.
- * RPM is based on motor's synchronous rpm (50HZ:1500rpm, 60HZ:1800rpm) and calculated by dividing gear ratio. Actual rpm is 2~20% less than indicating rpm according to load size.

GEARHEADS

CONNECTION DIAGRAMS

Connect Cr circuit for absorbing surge voltage as connection diagram to protect contact point,
 $R_o = 5 - 200\Omega$
 $C_o = 0.1 \sim 0.2\mu F$ 200WV(400WV)



※The direction of motor rotation is as viewed from the front shaft end of the motor

DIMENSIONS

K9P□B

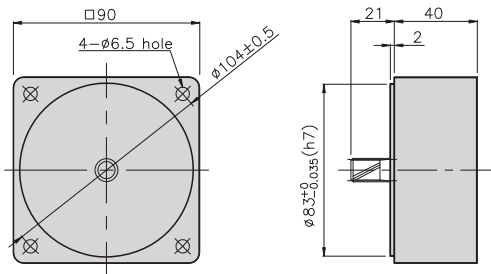


K9P□BF



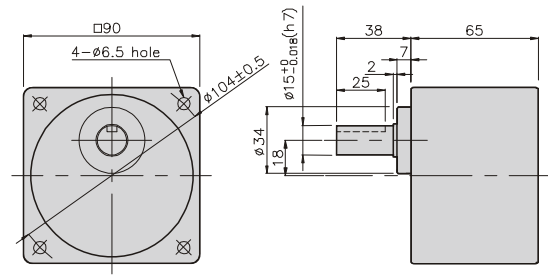
DECIMAL GEARHEAD

K9P10BX



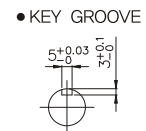
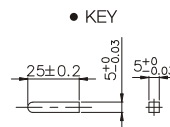
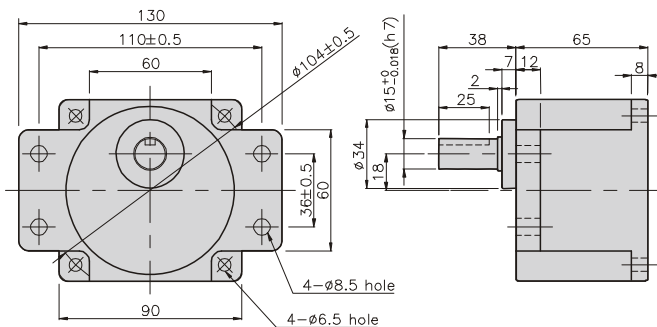
GEARHEAD

K9P□B



GEARHEAD

K9P□BF



GEARHEADS

DIMENSIONS

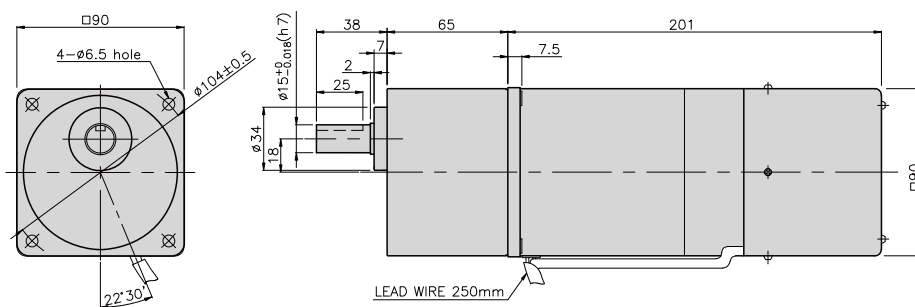
K9RP60F□-D + K9P□B



K9RP60F□-D + K9P□BF



K9RP60F□-D + K9P□B



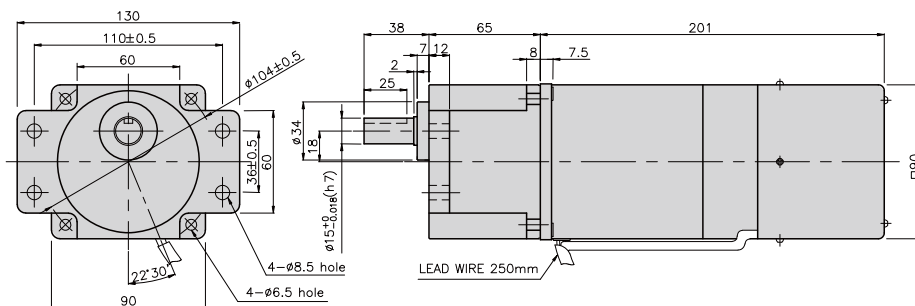
DIMENSION TABLE

PART No.	L	Application Model	Mounting BOLT
01	65	K9P3~200B	M6 P1,0 X 95
02	40	K9P10BX	M6 P1,0 X 140

WEIGHT

PART	WEIGHT(kg)	
MOTOR	3,58	
DECIMAL GEAR HEAD	0,62	
GEAR HEAD	K9P3~10B	1,22
	K9P12,5~20B	1,32
	K9P25~60B	1,42
	K9P75~200B	1,45

K9RP60F□-D + K9P□BF



DIMENSION TABLE

PART No.	L	Application Model	Mounting BOLT
01	65	K9P3~200BF	M6 P1,0 X 25
02	40	K9P10BX	M6 P1,0 X 65

WEIGHT

PART	WEIGHT(kg)	
MOTOR	3,58	
DECIMAL GEAR HEAD	0,62	
GEAR HEAD	K9P3~10BF	1,22
	K9P12,5~18BF	1,30
	K9P20~60BF	1,42
	K9P75~200BF	1,44