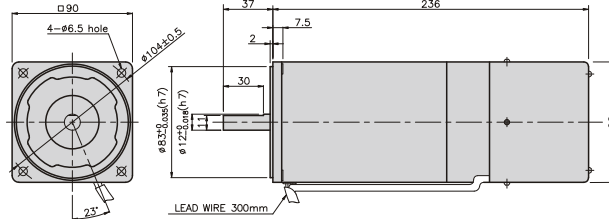


SPEED CONTROL & BRAKE MOTOR

180W

□90mm

K9RS180F□-D



SPECIFICATIONS

180W 30 minutes rating, four poles

Model	Voltage (V)	Frequency (Hz)	Speed Range (rpm)	Permissible Torque		Start T. (N*m/Kgf*cm)	Current (A)	Condenser (μF)	Friction T. (N*m/Kgf*cm)
				1200rpm (N*m/Kgf*cm)	90rpm (N*m/Kgf*cm)				
K9R□180FJ-D	100	50	90 ~ 1400	0,88/8,8	0,33/3,3	0,5/5	5	40	1/10
		60	90 ~ 1700						
K9R□180FU-D	110	60	90 ~ 1700	1,1/11	0,38/3,8	0,58/5,8	5	40	1/10
	115								
K9R□180FL-D	200	50	90 ~ 1400	0,88/8,8	0,3/3	0,45/4,5	2,2	12	1/10
		60	90 ~ 1700			0,38/3,8			
K9R□180FC-D	220	50	90 ~ 1400	0,88/8,8	0,3/3	0,42/4,2	2,2	8	1/10
		60	90 ~ 1700			0,38/3,8			
	230	50	90 ~ 1400	0,95/9,5	0,32/3,2	0,48/4,8	2,4		
		60	90 ~ 1700			0,45/4,5			
K9R□180FD-D	240	50	90 ~ 1400	0,95/9,5	0,32/3,2	0,55/5,5	2	8	1/10

* □ : SHAFT SHAPE (S : STRAIGHT, G : PINION)

RATED TORQUE OF GEARHEAD

● Single-phase 100V/115V

unit = above : N · m / below : kgfcm

Model	Ratio	Speed(rpm)																									
		3	3,6	5	6	7,5	9	10	12,5	15	18	20	25	30	36	40	50	60	75	90	100	120	150	180	200		
K9R□180F□-D K9P□BU, BUF	1200	100V/50/60HZ	2,14	2,57	3,56	4,28	5,35	6,42	7,13	8,02	9,62	11,55	12,83	14,43	17,32	20,79	23,09	28,87	30	30	30	30	30	30	30	30	30
		110V/115V/60HZ	2,67	3,21	4,46	5,35	6,68	8,02	8,91	10,02	12,03	14,43	16,04	18,04	21,65	25,98	28,87	30	30	30	30	30	30	30	30	30	30
	90	100V/50/60HZ	0,80	0,96	1,34	1,60	2,00	2,41	2,67	3,01	3,61	4,33	4,81	5,41	6,50	7,79	8,66	10,83	12,99	14,61	17,54	19,49	23,38	29,23	30	30	30
		110V/115V/60HZ	0,92	1,11	1,54	1,85	2,31	2,77	3,08	3,46	4,16	4,99	5,54	6,23	7,48	8,98	9,97	12,47	14,96	16,83	20,19	22,44	26,93	30	30	30	30

● Single-phase 200V/240V

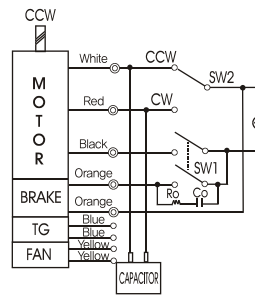
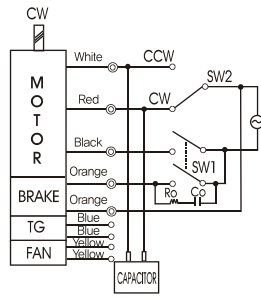
unit = above : N · m / below : kgfcm

Model	Ratio	Speed(rpm)																									
		3	3,6	5	6	7,5	9	10	12,5	15	18	20	25	30	36	40	50	60	75	90	100	120	150	180	200		
K9R□180F□-D K9P□BU, BUF	1200	200V/220V/50/60HZ	2,14	2,57	3,56	4,28	5,35	6,42	7,13	8,02	9,62	11,55	12,83	14,43	17,32	20,79	23,09	28,87	30	30	30	30	30	30	30	30	30
		230V/50/60HZ/240V/50HZ	2,31	2,77	3,85	4,62	5,77	6,93	7,70	8,66	10,39	12,47	13,85	15,58	18,70	22,44	24,93	30	30	30	30	30	30	30	30	30	30
	90	200V/220V/50/60HZ	0,73	0,87	1,22	1,46	1,82	2,19	2,43	2,73	3,28	3,94	4,37	4,92	5,90	7,09	7,87	9,84	11,81	13,29	15,94	17,71	21,26	26,57	30	30	30
		230V/50/60HZ/240V/50HZ	0,78	0,93	1,30	1,56	1,94	2,33	2,59	2,92	3,50	4,20	4,67	5,25	6,30	7,56	8,40	10,50	12,60	14,17	17,01	18,90	22,67	28,34	30	30	30

- * Gearhead and decimal gearhead are sold separately.
- * The code in □ of gearhead model is for gear ratio.
- * ■ color indicates that the output shaft of the geared motor rotates in the same direction as the output shaft of the motor. Others indicate rotation in the opposite direction.
- * If you are to have less ratio than the ratio in the table, you can install the decimal gearhead, which has one tenth of the ratio, between the gearhead and the motor. In this case, the permissible torque is 30N · m/300kgfcm.
- * RPM is based on motor's synchronous rpm (50HZ:1500rpm, 60HZ:1800rpm) and calculated by dividing gear ratio. Actual rpm is 2~20% less than indicating rpm according to load size.

GEARHEADS

CONNECTION DIAGRAMS



※The direction of motor rotation is as viewed from the front shaft end of the motor

DIMENSIONS

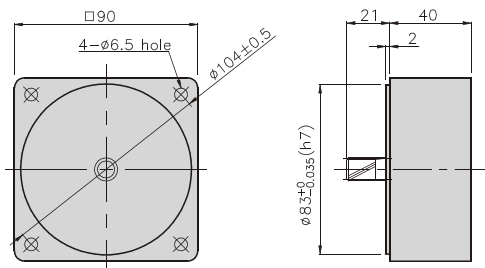
K9P□BU



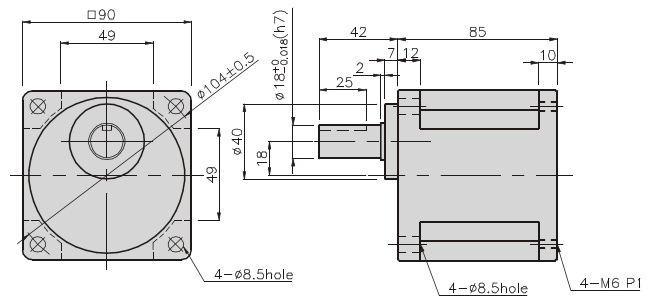
K9P□BUF



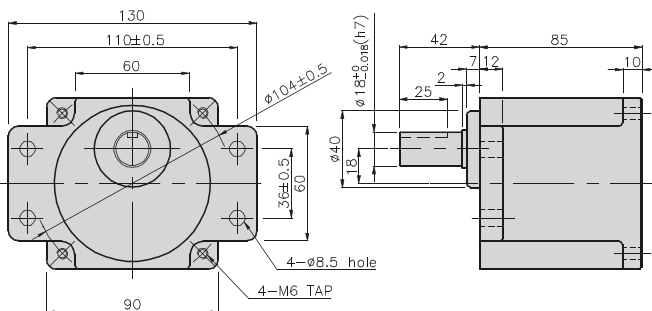
DECIMAL GEARHEAD
K9P10BX



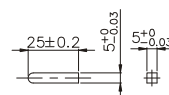
GEARHEAD
K9P□BU



GEARHEAD
K9P□BUF



● KEY



● KEY GROOVE



GEARHEADS

DIMENSIONS

K9RP180F□-D + K9P□BU



K9RP180F□-D + K9P□BUF



WEIGHT

PART	WEIGHT(kg)
MOTOR	4,70
DECIMAL GEAR HEAD	0,62

DIMENSION TABLE

PART No.	L	Application Model	Mounting BOLT
01	85	K9P3~200BU	M6 P1,0 X 20
02	40	K9P10BX	M6 P1,0 X 60

WEIGHT

PART	WEIGHT(kg)
K9P3~10BU	1,44
K9P12,5~20BU	1,55
K9P25~60BU	1,69
K9P75~200BU	1,74

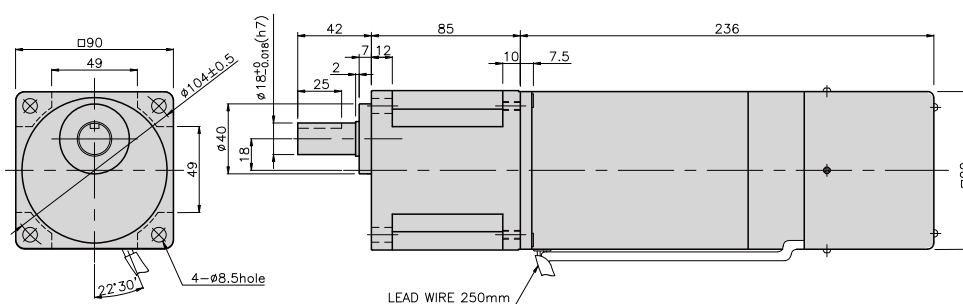
DIMENSION TABLE

PART No.	L	Application Model	Mounting BOLT
01	85	K9P3~200BUF	M6 P1,0 X 20
02	40	K9P10BX	M6 P1,0 X 65

WEIGHT

PART	WEIGHT(kg)
K9P3~10BUF	1,50
K9P12,5~20BUF	1,62
K9P25~60BUF	1,76
K9P75~200BUF	1,82

K9RP180F□-D + K9P□BU



K9RP180F□-D + K9P□BUF

