

OPEN TYPE MOTOR

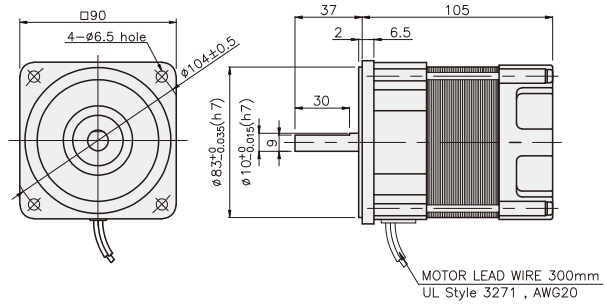
40W

□90mm

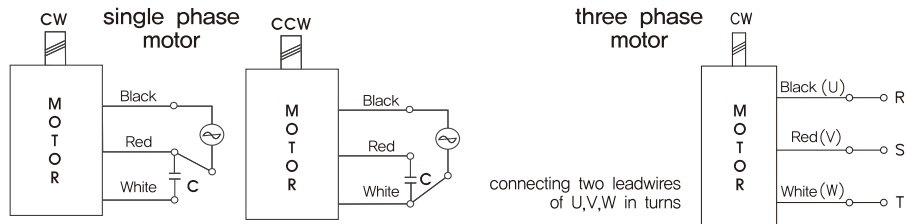
LEAD WIRE TYPE

DIMENSIONS

K9I□40A□



CONNECTION DIAGRAMS



※The direction of motor rotation is as viewed from the front shaft end of the motor

SPECIFICATIONS

40W continuous rating, four poles

60W

Model	Voltage (V)	Frequency (Hz)	Current (A)	Start T. (N-m/kgf-cm)	Rated T. (N-m/kgf-cm)	Speed (rpm)	Condenser (μF)
K9I□40AJ	100	50	0.86	0.21/2.1	0.315/3.15	1250	12
		60	0.84	0.22/2.2	0.255/2.55	1550	
K9I□40AU	115	60	0.65	0.19/1.9	0.255/2.55	1550	8
		60	0.68	0.2/2			
K9I□40AL	200	50	0.4	0.22/2.2	0.315/3.15	1250	3
		60	0.41		0.255/2.55	1550	
K9I□40AC	220	50	0.38	0.24/2.4	0.315/3.15	1250	2.5
		60	0.37		0.255/2.55	1550	
	230	50	0.4	0.26/2.6	0.315/3.15	1250	
		60	0.38		0.255/2.55	1550	
K9I□40AD	240	50	0.39	0.2/2	0.3/3	1300	2
K9I□40AT	200	50	0.39	1/10	0.3/3	1300	-
		60	0.32	0.78/7.8	0.245/2.45	1600	
K9I□40AH	220	50	0.33	0.95/9.5	0.29/2.9	1350	-
		60	0.31	0.78/7.8	0.245/2.45	1600	
	230	50	0.41	1/10	0.29/2.9	1350	
		60	0.32	0.83/8.3	0.245/2.45	1600	
K9I□40AM	380	50	0.18	1/10	0.29/2.9	1350	-
		60		0.78/7.8	0.245/2.45	1600	
K9I□40AV	400	50	0.18	1.15/11.5	0.29/2.9	1350	-
		60	0.19	0.88/8.8	0.245/2.45	1600	
K9I□40AQ	415	50	0.16	0.95/9.5	0.29/2.9	1350	-
		60	0.14	0.72/7.2	0.245/2.45	1600	
K9I□40AZ	440	50	0.19	1/10	0.29/2.9	1350	-
		60	0.16	0.79/7.9	0.245/2.45	1600	

Motor spec is same as induction motor's, Applied gear head is K6G□B(C) Series.

Identify rated torque of gearhead in induction motor in order to find out the torque value of gearhead per gear ratios.

* □ : SHAFT SHAPE (S : STRAIGHT, G : PINION)