

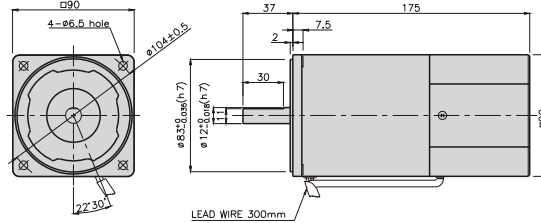
## SPEED CONTROL MOTOR - SP SERIES

### 90W

### □90mm

### REVERSIBLE MOTOR

K9RS90F□-SP



### SPECIFICATIONS

90W 30 minutes rating, four poles

Model	Voltage (V)	Frequency (Hz)	Speed Range (rpm)	Permissible Torque		Start T. (N*m/Kgf*cm)	Current (A)	Condenser (μF)	
				1200rpm (N*m/Kgf*cm)	90rpm (N*m/Kgf*cm)				
K9R□90FJ-SP	100	50	90 ~ 1400	0,75/7,5	0,25/2,5	0,4/4	3,6	35	
		60	90 ~ 1700						
K9R□90FU-SP	110	60	90 ~ 1700	0,75/7,5	0,25/2,5	0,38/3,8	3	25	
	115						3,2		
K9R□90FL-SP	200	50	90 ~ 1400	0,75/7,5	0,25/2,5	0,4/4	1,4	8	
		60	90 ~ 1700				1,5		
K9R□90FC-SP	220	50	90 ~ 1400	0,75/7,5	0,25/2,5	0,4/4	1,2	7	
		60	90 ~ 1700				1,4		
		50	90 ~ 1400				0,43/4,3		1,2
		60	90 ~ 1700						1,4
K9R□90FD-SP	240	50	90 ~ 1400	0,75/7,5	0,25/2,5	0,4/4	1,3	6	

\* □ : SHAFT SHAPE (S : STRAIGHT, G : PINION)

### RATED TORQUE OF GEARHEAD

#### ● Single-phase 100V/115V

unit = above : N · m / below : kgfcm

Model	Ratio	Speed(rpm)																							
		3	3,6	5	6	7,5	9	10	12,5	15	18	20	25	30	36	40	50	60	75	90	100	120	150	180	200
K9R□90F□-SP K9P□B, BF	1200	1,82 18,2	2,19 21,9	3,04 30,4	3,65 36,5	4,56 45,6	5,47 54,7	6,08 60,8	6,83 68,3	8,20 82,0	9,84 98,4	10,94 109,4	12,30 123,0	14,76 147,6	17,71 177,1	19,68 196,8	20 200	20 200	20 200	20 200	20 200	20 200	20 200	20 200	20 200
	90	0,61 6,1	0,73 7,3	1,01 10,1	1,22 12,2	1,52 15,2	1,82 18,2	2,03 20,3	2,28 22,8	2,73 27,3	3,28 32,8	3,65 36,5	4,10 41,0	4,92 49,2	5,90 59,0	6,56 65,6	8,20 82,0	9,84 98,4	11,07 110,7	13,29 132,9	14,76 147,6	17,71 177,1	20 200	20 200	20 200

#### ● Single-phase 200V/240V

unit = above : N · m / below : kgfcm

Model	Ratio	Speed(rpm)																							
		3	3,6	5	6	7,5	9	10	12,5	15	18	20	25	30	36	40	50	60	75	90	100	120	150	180	200
K9R□90F□-SP K9P□B, BF	1200	1,82 18,2	2,19 21,9	3,04 30,4	3,65 36,5	4,56 45,6	5,47 54,7	6,08 60,8	6,83 68,3	8,20 82,0	9,84 98,4	10,94 109,4	12,30 123,0	14,76 147,6	17,71 177,1	19,68 196,8	20 200	20 200	20 200	20 200	20 200	20 200	20 200	20 200	20 200
	90	200V/220V/230V 240V/50HZ	0,61 6,1	0,73 7,3	1,01 10,1	1,22 12,2	1,52 15,2	1,82 18,2	2,03 20,3	2,28 22,8	2,73 27,3	3,28 32,8	3,65 36,5	4,10 41,0	4,92 49,2	5,90 59,0	6,56 65,6	8,20 82,0	9,84 98,4	11,07 110,7	13,29 132,9	14,76 147,6	17,71 177,1	20 200	20 200
		200V/220V 230V/60Hz	0,68 6,8	0,82 8,2	1,13 11,3	1,36 13,6	1,70 17,0	2,04 20,4	2,27 22,7	2,55 25,5	3,06 30,6	3,67 36,7	4,08 40,8	4,59 45,9	5,51 55,1	6,61 66,1	7,35 73,5	9,19 91,9	11,02 110,2	12,40 124,0	14,88 148,8	16,53 165,3	19,84 198,4	20 200	20 200

- \* Gearhead and decimal gearhead are sold separately.
- \* The code in □ of gearhead model is for gear ratio.
- \* ■ color indicates that the output shaft of the geared motor rotates in the same direction as the output shaft of the motor. Others indicate rotation in the opposite direction.
- \* If you are to have less ratio than the ratio in the table, you can install the decimal gearhead, which has one tenth of the ratio, between the gearhead and the motor. In this case, the permissible torque is 20N · m/200kgfcm.
- \* RPM is based on motor's synchronous rpm (50HZ:1500rpm, 60HZ:1800rpm) and calculated by dividing gear ratio. Actual rpm is 2~20% less than indicating rpm according to load size.

## GEARHEADS

### RATED TORQUE OF GEARHEAD

#### ● Single-phase 100V/115V

unit = above : N · m / below : kgfcm

Model	Ratio	Speed(rpm)																							
		3	3,6	5	6	7,5	9	10	12,5	15	18	20	25	30	36	40	50	60	75	90	100	120	150	180	200
K9R□90F□-SP K9P□BU, BUF	1200	1,82 18,2	2,19 21,9	3,04 30,4	3,65 36,5	4,56 45,6	5,47 54,7	6,08 60,8	6,83 68,3	8,20 82,0	9,84 98,4	10,94 109,4	12,30 123,0	14,76 147,6	17,71 177,1	19,68 196,8	24,60 246	29,52 295	30 300	30 300	30 300	30 300	30 300	30 300	30 300
	90	0,61 6,1	0,73 7,3	1,01 10,1	1,22 12,2	1,52 15,2	1,82 18,2	2,03 20,3	2,28 22,8	2,73 27,3	3,28 32,8	3,65 36,5	4,10 41,0	4,92 49,2	5,90 59,0	6,56 65,6	8,20 82,0	9,84 98,4	11,07 110,7	13,29 132,9	14,76 147,6	17,71 177,1	22,14 221,4	26,57 265,7	29,52 295,2

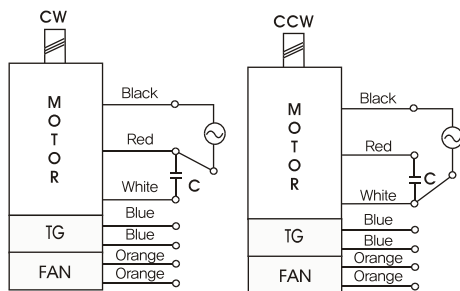
#### ● Single-phase 200V/240V

unit = above : N · m / below : kgfcm

Model	Ratio	Speed(rpm)																								
		3	3,6	5	6	7,5	9	10	12,5	15	18	20	25	30	36	40	50	60	75	90	100	120	150	180	200	
K9R□90F□-SP K9P□BU, BUF	1200	1,82 18,2	2,19 21,9	3,04 30,4	3,65 36,5	4,56 45,6	5,47 54,7	6,08 60,8	6,83 68,3	8,20 82,0	9,84 98,4	10,94 109,4	12,30 123,0	14,76 147,6	17,71 177,1	19,68 196,8	24,60 246	29,52 295	30 300	30 300	30 300	30 300	30 300	30 300	30 300	
	90	200V/220V/230V 240V/50Hz	0,61 6,1	0,73 7,3	1,01 10,1	1,22 12,2	1,52 15,2	1,82 18,2	2,03 20,3	2,28 22,8	2,73 27,3	3,28 32,8	3,65 36,5	4,10 41,0	4,92 49,2	5,90 59,0	6,56 65,6	8,20 82,0	9,84 98,4	11,07 110,7	13,29 132,9	14,76 147,6	17,71 177,1	22,14 221,4	26,57 265,7	29,52 295,2
		200V/220V 230V/60Hz	0,68 6,8	0,82 8,2	1,13 11,3	1,36 13,6	1,70 17,0	2,04 20,4	2,27 22,7	2,55 25,5	3,06 30,6	3,67 36,7	4,08 40,8	4,59 45,9	5,51 55,1	6,61 66,1	7,35 73,5	9,19 91,9	11,02 110,2	12,40 124,0	14,88 148,8	16,53 165,3	19,84 198,4	24,80 248,0	29,76 297,6	30 300

- \* Gearhead and decimal gearhead are sold separately.
- \* The code in □ of gearhead model is for gear ratio.
- \*  color indicates that the output shaft of the geared motor rotates in the same direction as the output shaft of the motor. Others indicate rotation in the opposite direction.
- \* If you are to have less ratio than the ratio in the table, you can install the decimal gearhead, which has one tenth of the ratio, between the gearhead and the motor. In this case, the permissible torque is 30N · m/300kgfcm.
- \* RPM is based on motor's synchronous rpm (50HZ:1500rpm, 60HZ:1800rpm) and calculated by dividing gear ratio. Actual rpm is 2~20% less than indicating rpm according to load size.

### CONNECTION DIAGRAMS



※The direction of motor rotation is as viewed from the front shaft end of the motor

## GEARHEADS

### DIMENSIONS

K9P□B



K9P□BF, BUF

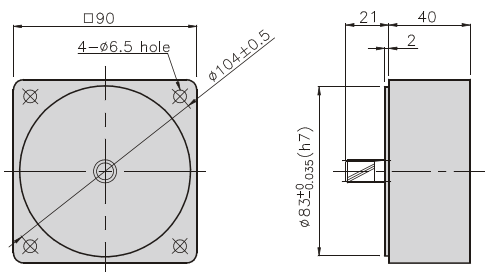


K9P□BU



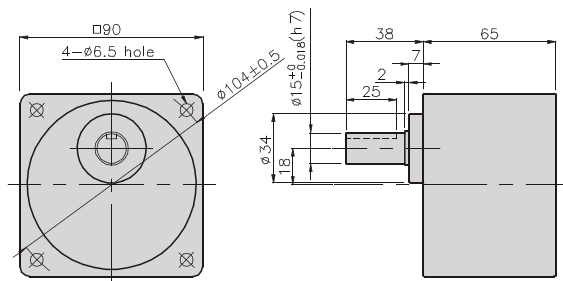
DECIMAL GEARHEAD

K9P10BX



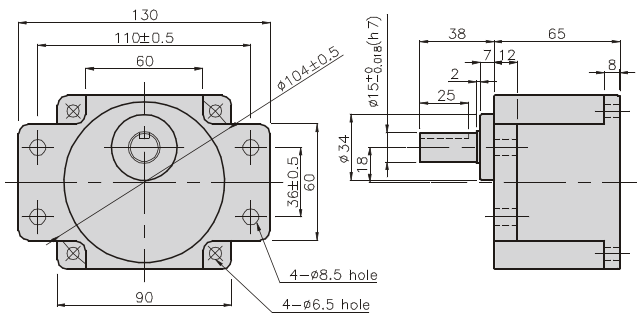
GEARHEAD

K9P□B



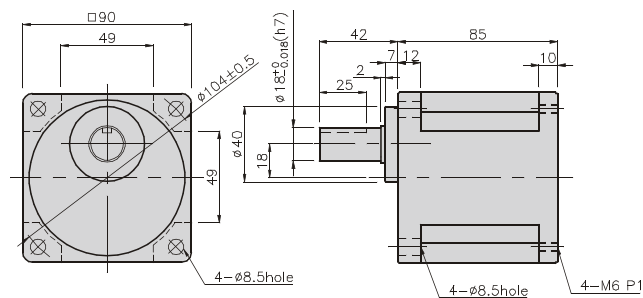
GEARHEAD

K9P□BF



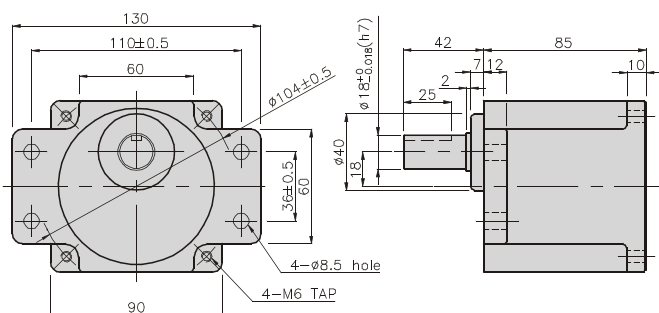
GEARHEAD

K9P□BU

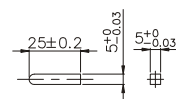


GEARHEAD

K9P□BUF



• KEY



• KEY GROOVE



## GEARHEADS

### DIMENSIONS

K9RP90F□-SP + K9P□B



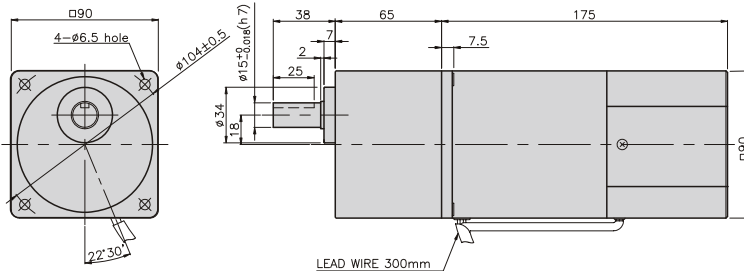
K9RP90F□-SP + K9P□BF. BUF



K9RP90F□-SP + K9P□BU



K9RP90F□-SP + K9P□B



#### WEIGHT

PART	WEIGHT(kg)
MOTOR	3,06
DECIMAL GEAR HEAD	0,62

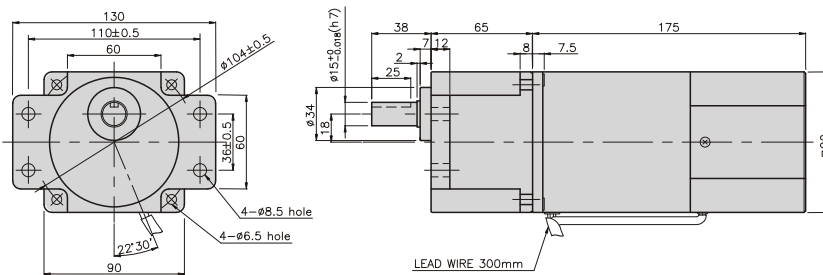
#### DIMENSION TABLE

PART No.	L	Application Model	Mounting BOLT
01	65	K9P3~200B	M6 P1,0 X 95
02	40	K9P10BX	M6 P1,0 X 140

#### WEIGHT

PART	WEIGHT(kg)
K9P3~10B	1,22
K9P12,5~20B	1,32
K9P25~60B	1,42
K9P75~200B	1,45

K9RP90F□-SP + K9P□BF



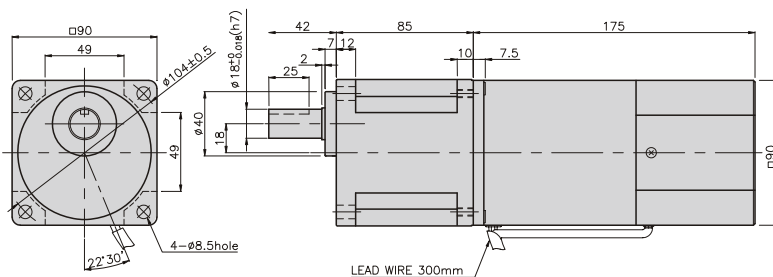
#### DIMENSION TABLE

PART No.	L	Application Model	Mounting BOLT
01	65	K9P3~200BF	M6 P1,0 X 25
02	40	K9P10BX	M6 P1,0 X 65

#### WEIGHT

PART	WEIGHT(kg)
K9P3~10BF	1,22
K9P12,5~20BF	1,30
K9P25~60BF	1,42
K9P75~200BF	1,44

K9RP90F□-SP + K9P□BU



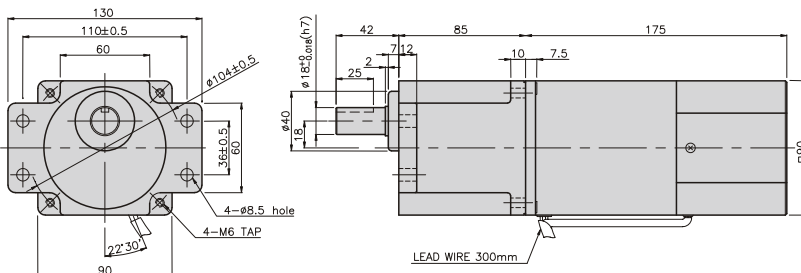
#### DIMENSION TABLE

PART No.	L	Application Model	Mounting BOLT
01	85	K9P3~200BU	M6 P1,0 X 20
02	40	K9P10BX	M6 P1,0 X 60

#### WEIGHT

PART	WEIGHT(kg)
K9P3~10BU	1,44
K9P12,5~20BU	1,55
K9P25~60BU	1,69
K9P75~200BU	1,74

K9RP90F□-SP + K9P□BUF



#### DIMENSION TABLE

PART No.	L	Application Model	Mounting BOLT
01	85	K9P3~200BUF	M6 P1,0 X 20
02	40	K9P10BX	M6 P1,0 X 65

#### WEIGHT

PART	WEIGHT(kg)
K9P3~10BUF	1,50
K9P12,5~20BUF	1,62
K9P25~60BUF	1,76
K9P75~200BUF	1,82