

## INDUCTION MOTOR

**180W**

□90mm

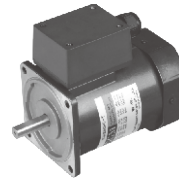
LEAD WIRE TYPE  
TERMINAL BOX TYPE

INDUCTION MOTOR

K9IS180F□



K9IS180F□-T, T5



### SPECIFICATIONS

180W continuous rating, four poles

Model	Voltage (V)	Frequency (Hz)	Current (A)	Start T. (N·m/kgf·cm)	Rated T. (N·m/kgf·cm)	Speed (rpm)	Condenser (μF)
K9I□180FJ(-T, -T5)	100	50	3,43	0,9/9	1,35/13,5	1300	50
		60	3,7	1/10	1,1/11	1600	
K9I□180FU(-T, -T5)	110	60	2,85	0,8/8	1,1/11	1600	35
	115		3,06				
K9I□180FL(-T, -T5)	200	50	1,47	0,73/7,3	1,35/13,5	1300	12
		60	1,43	0,65/6,5	1,1/11	1600	
K9I□180FC(-T, -T5)	220	50	1,58	0,7/7	1,35/13,5	1300	8
		60	1,38	0,65/6,5	1,1/11	1600	
	230	50	1,7	0,75/7,5	1,35/13,5	1300	
		60	1,54	0,7/7	1,1/11	1600	
K9I□180FD(-T, -T5)	240	50	1,2	0,8/8	1,35/13,5	1300	8

\* □ : SHAFT SHAPE (S : STRAIGHT, P : PINION)

### RATED TORQUE OF GEARHEAD

● 50Hz

unit = above : N·m / below : Kgf·cm

Model	Speed(rpm)	500	416	300	250	200	166	150	120	100	83	75	60	50	41	37	30	25	20	16	15	13	10	8,3	7,5
Motor/ Gearhead	Ratio	3	3,6	5	6	7,5	9	10	12,5	15	18	20	25	30	36	40	50	60	75	90	100	120	150	180	200
K9I□180F□(-T, -T5) K9P□BU, BUF		3,28	3,94	5,47	6,56	8,20	9,84	10,94	12,30	14,76	17,71	19,68	22,14	26,57	30	30	30	30	30	30	30	30	30	30	30
		32,8	39,4	54,7	65,6	82,0	98,4	109,4	123,0	147,6	177,1	196,8	221,4	265,7	300	300	300	300	300	300	300	300	300	300	300

● 60Hz

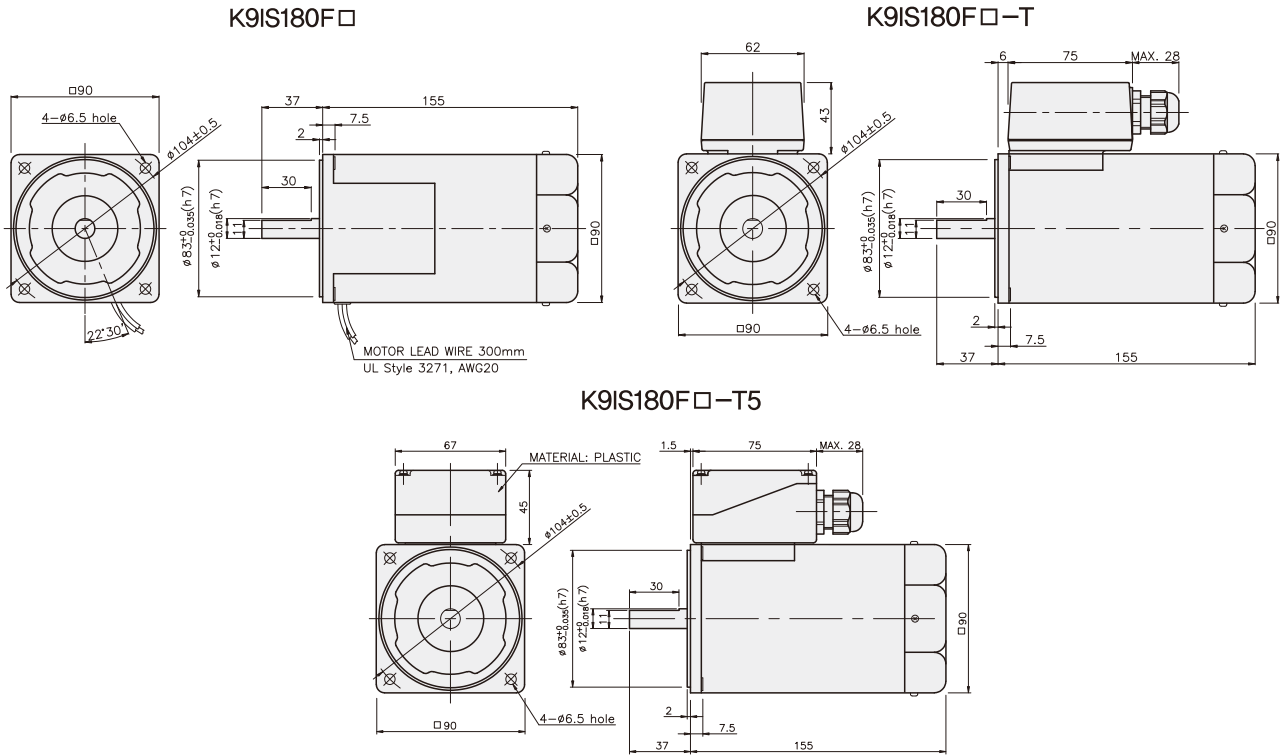
unit = above : N·m / below : Kgf·cm

Model	Speed(rpm)	600	500	360	300	240	200	180	144	120	100	90	72	60	50	45	36	30	24	20	18	15	12	10	9
Motor/ Gearhead	Ratio	3	3,6	5	6	7,5	9	10	12,5	15	18	20	25	30	36	40	50	60	75	90	100	120	150	180	200
K9I□180F□(-T, -T5) K9P□BU, BUF		2,67	3,21	4,46	5,35	6,68	8,02	8,91	10,02	12,03	14,43	16,04	18,04	21,65	25,98	28,87	30	30	30	30	30	30	30	30	30
		26,7	32,1	44,6	53,5	66,8	80,2	89,1	100,2	120,3	144,3	160,4	180,4	216,5	259,8	288,7	300	300	300	300	300	300	300	300	300

- \* Gearhead and decimal gearhead are sold separately.
- \* The code in □ of gearhead model is for gear ratio.
- \*  color indicates that the output shaft of the geared motor rotates in the same direction as the output shaft of the motor. Others indicate rotation in the opposite direction.
- \* If you are to have less ratio than the ratio in the table, you can install the decimal gearhead, which has one tenth of the ratio, between the gearhead and the motor. In this case, the permissible torque is 30N·m/300kgf·cm.
- \* RPM is based on motor's synchronous rpm (50HZ:1500rpm, 60HZ:1800rpm) and calculated by dividing gear ratio. Actual rpm is 2~20% less than indicating rpm according to load size.

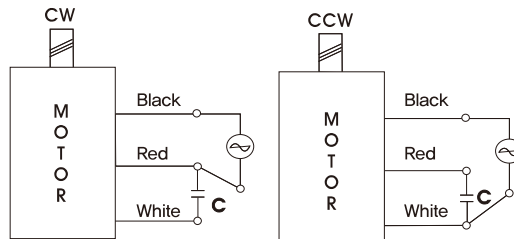
## GEARHEAD

### DIMENSIONS



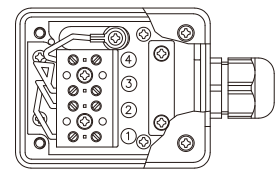
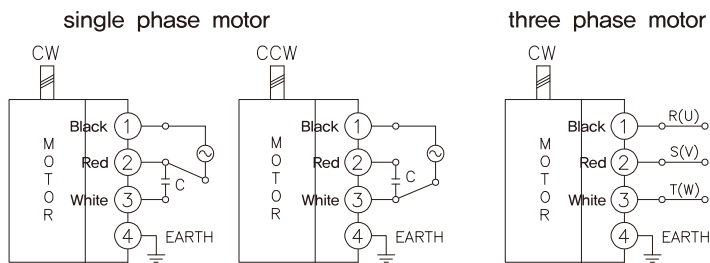
### CONNECTION DIAGRAMS

**K9IS180F□**



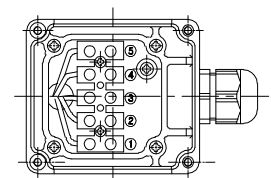
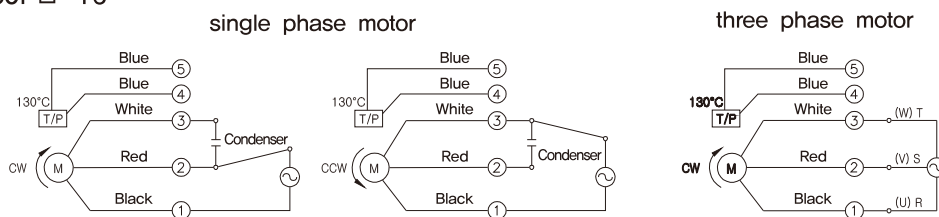
※The direction of motor rotation is as viewed from the front shaft end of the motor

**K9IS180F□-T**



※The direction of motor rotation is as viewed from the front shaft end of the motor

**K9IS180F□-T5**



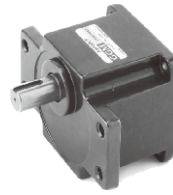
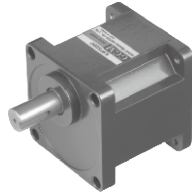
connecting two leadwires of U,V,W in turns from the front shaft end of the motor

**GEARHEAD**

**DIMENSIONS**

K9P□BU

K9P□BUF

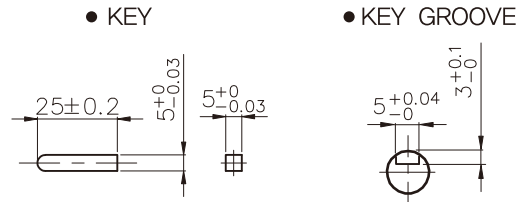
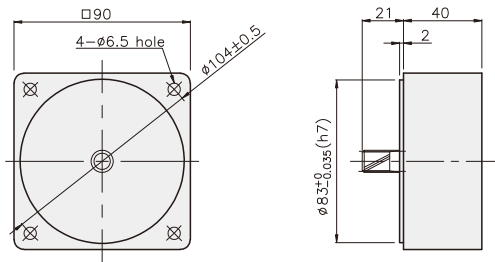


INDUCTION MOTOR

DECIMAL GEARHEAD

K9P10BX

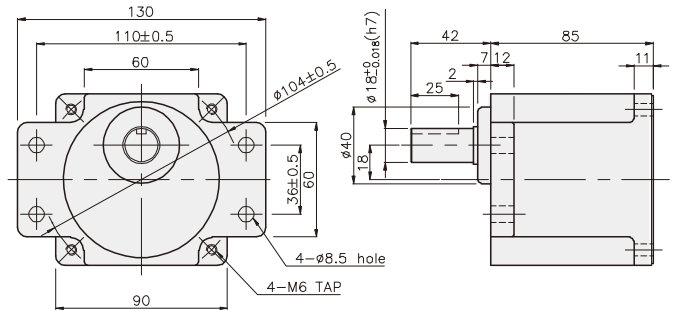
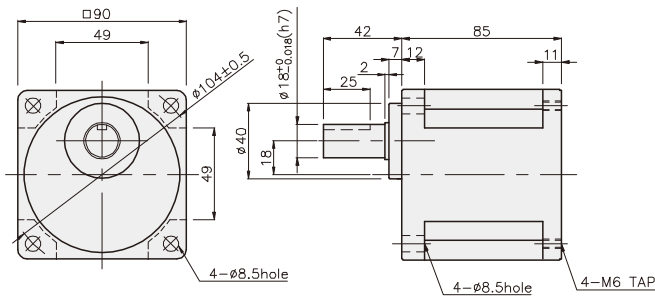
KEY SPEC



GEARHEAD

K9P□BU

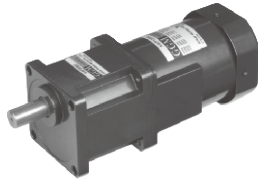
K9P□BUF



## GEARHEAD

### DIMENSIONS

K9IP180F□ + K9P□BU



K9IP180F□ + K9P□BUF



**DIMENSION TABLE**

PART	WEIGHT(kg)
MOTOR	3,72
DECIMAL GEARHEAD	0,62

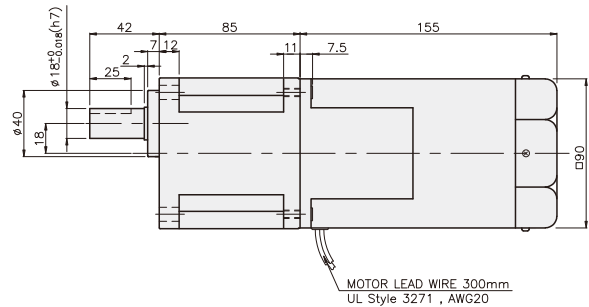
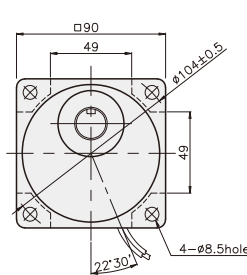
**DIMENSION TABLE**

PART No	Application Model	Mounting BOLT
O1	K9P3~200BU	M6 P1,0 X 20
O2	K9P10BX	M6 P1,0 X 65

**WEIGHT**

PART	WEIGHT(kg)
K9P3~10BU	1,44
K9P12,5~20BU	1,55
K9P25~60BU	1,69
K9P75~200BU	1,74

K9IP180F□ + K9P□BU



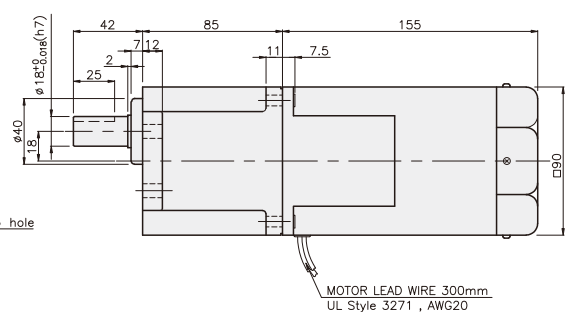
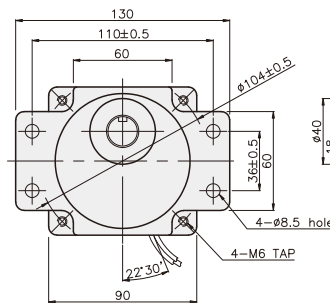
**DIMENSION TABLE**

PART No	Application Model	Mounting BOLT
O1	K9P3~200BUF	M6 P1,0 X 20
O2	K9P10BX	M6 P1,0 X 65

**WEIGHT**

PART	WEIGHT(kg)
K9P3~10BUF	1,50
K9P12,5~20BUF	1,62
K9P25~60BUF	1,76
K9P75~200BUF	1,82

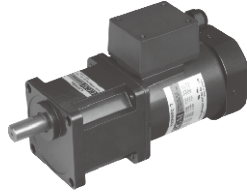
K9IP180F□ + K9P□BUF



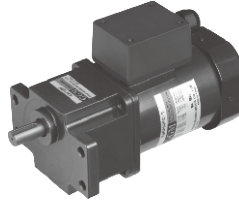
## GEARHEAD

### DIMENSIONS

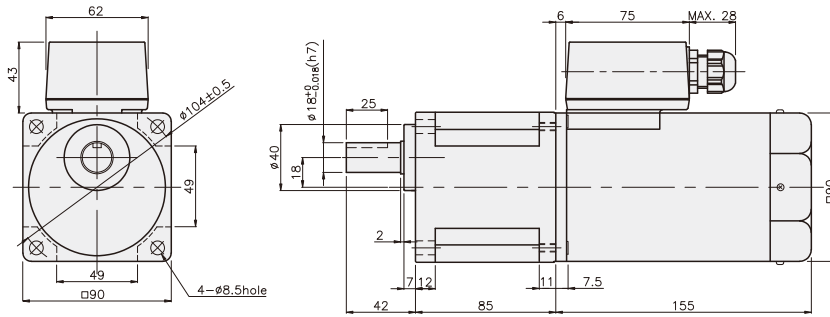
K9IP180F□-T + K9P□BU



K9IP180F□-T + K9P□BUF



K9IP180F□-T + K9P□BU



#### WEIGHT

PART	WEIGHT(kg)
MOTOR	3.90
DECIMAL GEARHEAD	0.62

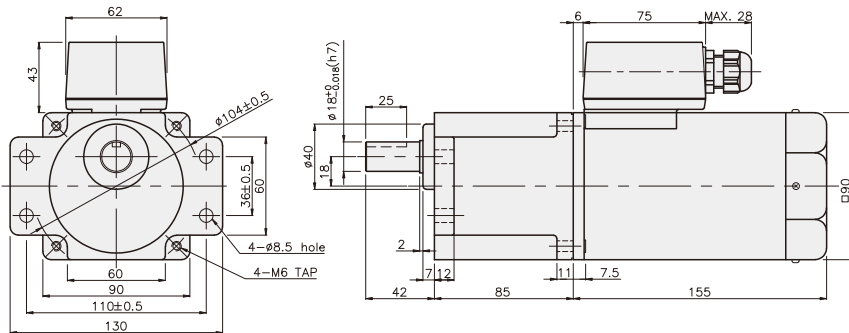
#### DIMENSION TABLE

PART No	Application Model	Mounting BOLT
01	K9P3~200BU	M6 P1,0 X 20
02	K9P10BX	M6 P1,0 X 65

#### WEIGHT

PART	WEIGHT(kg)
K9P3~10BU	1.44
K9P12,5~20BU	1.55
K9P25~60BU	1.69
K9P75~200BU	1.74

K9IP180F□-T + K9P□BUF



#### DIMENSION TABLE

PART No	Application Model	Mounting BOLT
01	K9P3~200BUF	M6 P1,0 X 20
02	K9P10BX	M6 P1,0 X 65

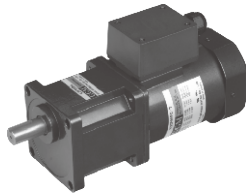
#### WEIGHT

PART	WEIGHT(kg)
K9P3~10BUF	1.50
K9P12,5~20BUF	1.62
K9P25~60BUF	1.76
K9P75~200BUF	1.82

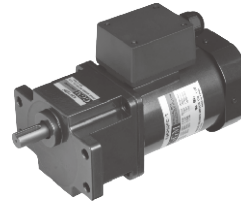
## GEARHEAD

### DIMENSIONS

K9IP180F□-T5 + K9P□BU



K9IP180F□-T5 + K9P□BUF



#### WEIGHT

PART	WEIGHT(kg)
MOTOR	3,90
DECIMAL GEARHEAD	0,62

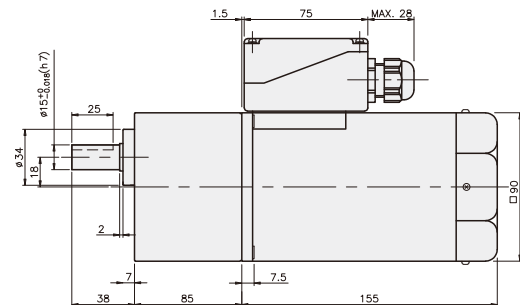
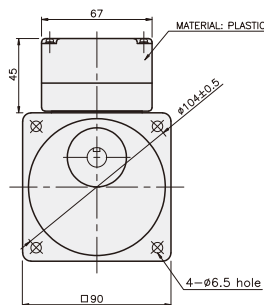
#### DIMENSION TABLE

PART No	Application Model	Mounting BOLT
01	K9P3~200BU	M6 P1,0 X 20
02	K9P10BX	M6 P1,0 X 65

#### WEIGHT

PART	WEIGHT(kg)
K9P3~10BU	1,44
K9P12,5~20BU	1,55
K9P25~60BU	1,69
K9P75~200BU	1,74

K9IP180F□-T5 + K9P□BU



#### DIMENSION TABLE

PART No	Application Model	Mounting BOLT
01	K9P3~200BUF	M6 P1,0 X 20
02	K9P10BX	M6 P1,0 X 65

#### WEIGHT

PART	WEIGHT(kg)
K9P3~10BUF	1,50
K9P12,5~20BUF	1,62
K9P25~60BUF	1,76
K9P75~200BUF	1,82

K9IP180F□-T5 + K9P□BUF

