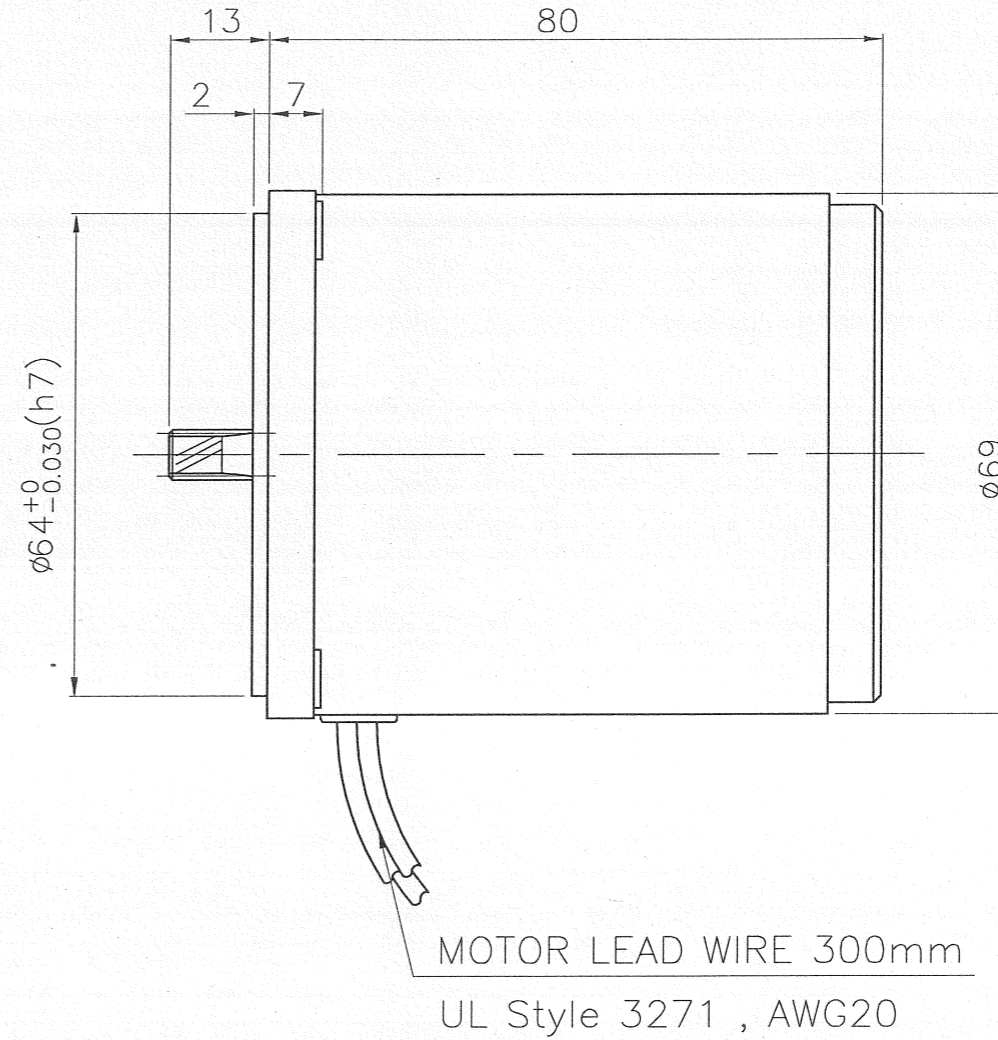
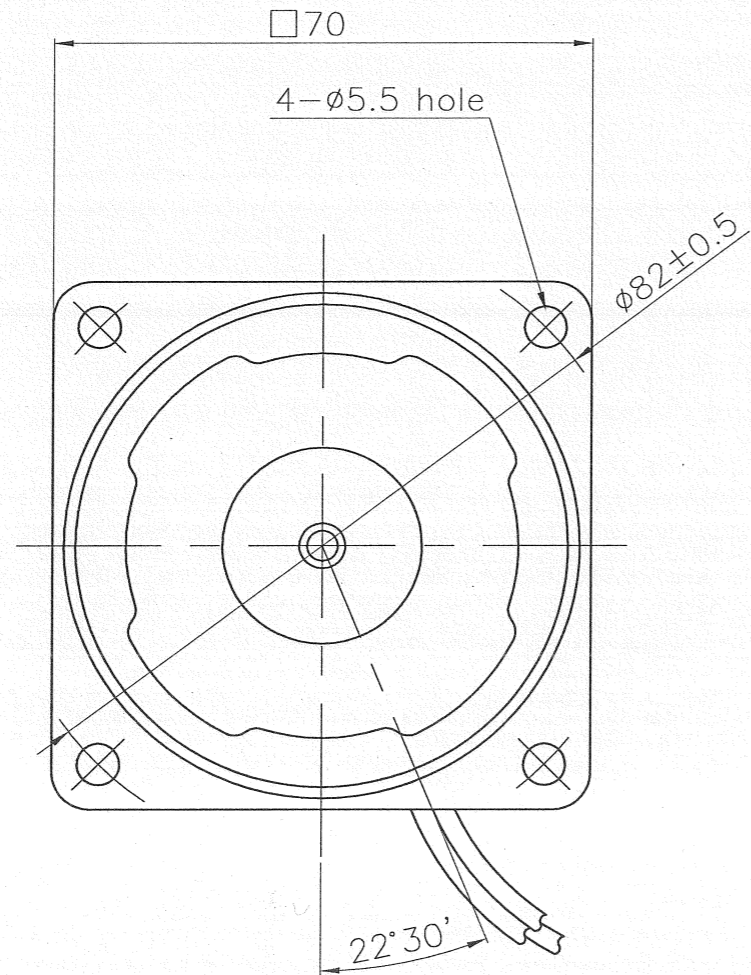
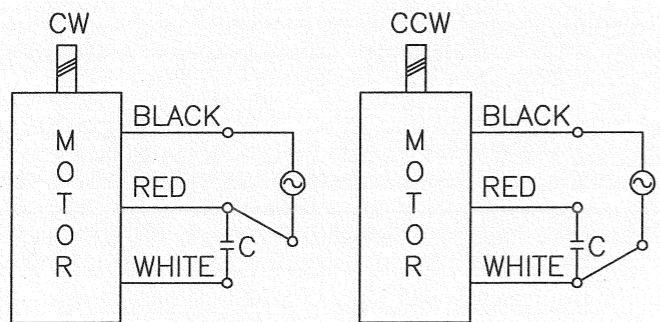


No.	REMARK	REVISION No.	SIGN



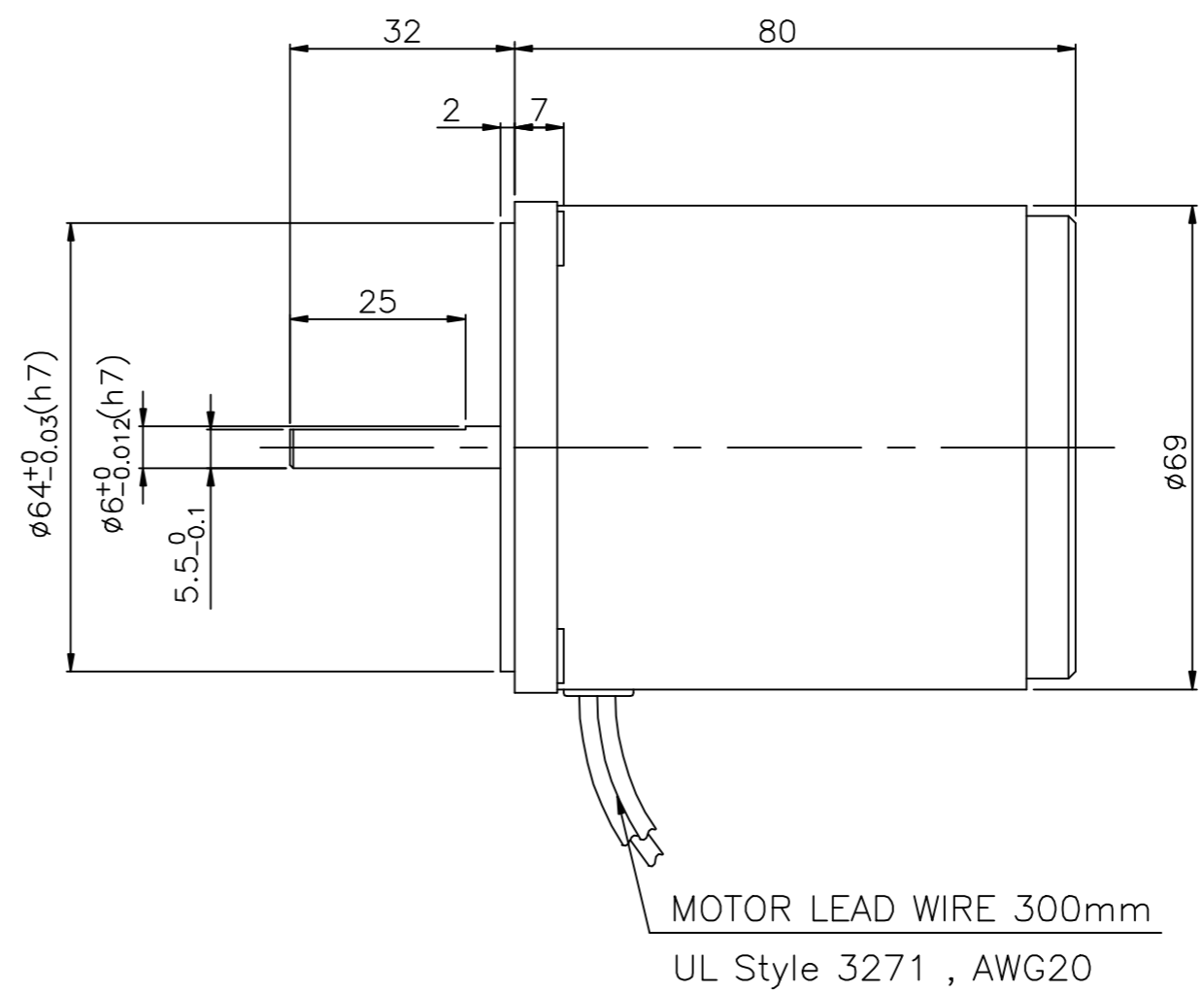
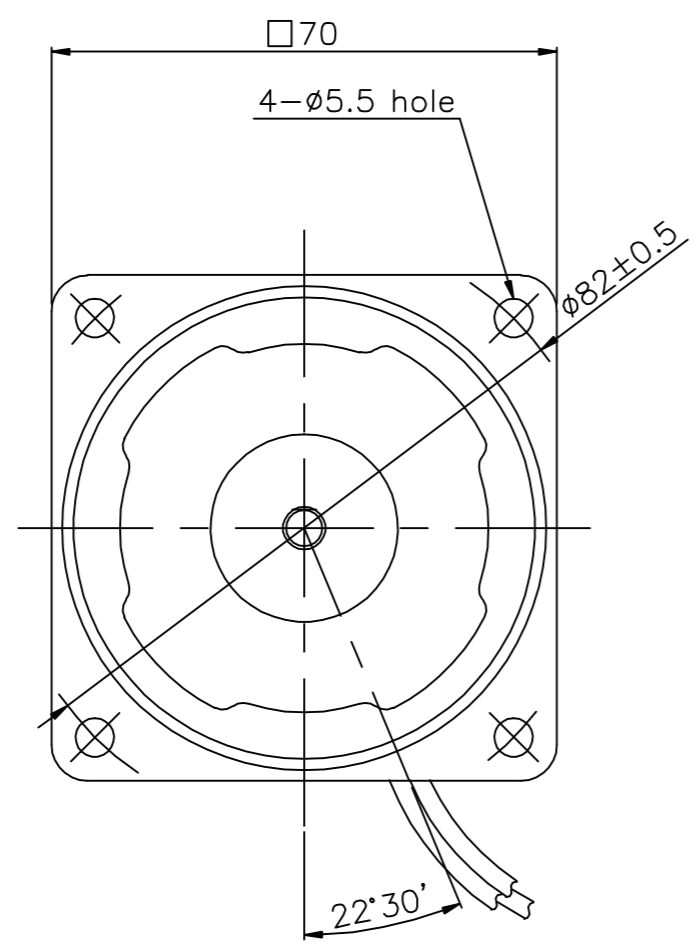
■ CONNECTION DIAGRAMS



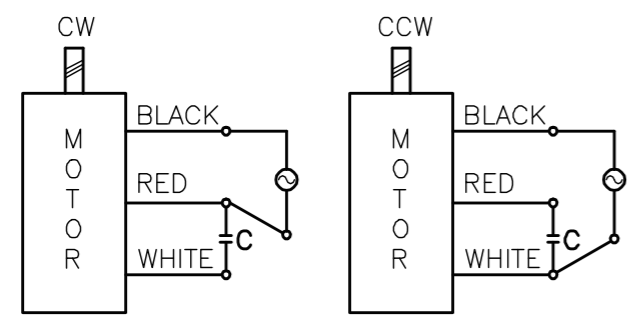
- * CW=Clock Wise, CCW=Counter Clock Wise
- * The Direction of motor rotation is as viewed from the front shaft end of the motor.
- * C = Capacitor = Condenser

DRAW	12. 11. 7	SCALE : 1/1	PART NAME	OUTLINE
DESIGNED		UNIT : mm		
CHECKED			APPLICATION MODEL	K7□G15N□
APPROVED			DWG NO.	2-0L-00008
G G M GLOBAL GEARED MOTOR		RELATION DWG.		

기호	변경 사항	변경서 NO.	날 짜	CHECKED
△A				
△B				
△C				
△D				



■ CONNECTION DIAGRAMS



* CW=Clock Wise, CCW=Counter Clock Wise
 * The Direction of motor rotation is as viewed from the front shaft end of the motor.
 * C = Capacitor = Condenser

DRAW	12. 11. 7	SJ. Kim	SCALE : 1/1	PART NAME	OUTLINE
DESIGNED			UNIT : mm		
CHECKED	20.06.18	DY. Lee		APPLICATION MODEL	K7□G15N□ K7□G20N□
APPROVED	20.06.18	BI. CHUNG		RELATION DWG.	
					2-OL-00009