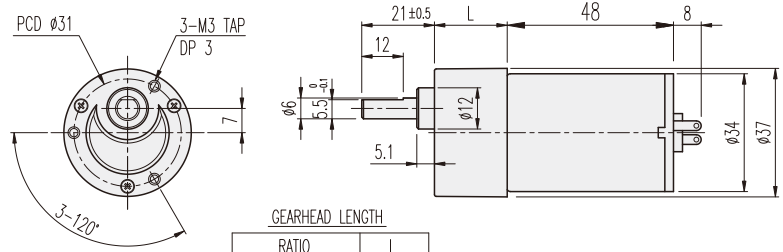


KGC-TYPE

DIMENSIONS

KGC-3448 SERIES



GEARHEAD LENGTH

RATIO	L
1/002 ~ 1/030	21
1/040 ~ 1/180	29
1/200 ~ 1/2430	33.7

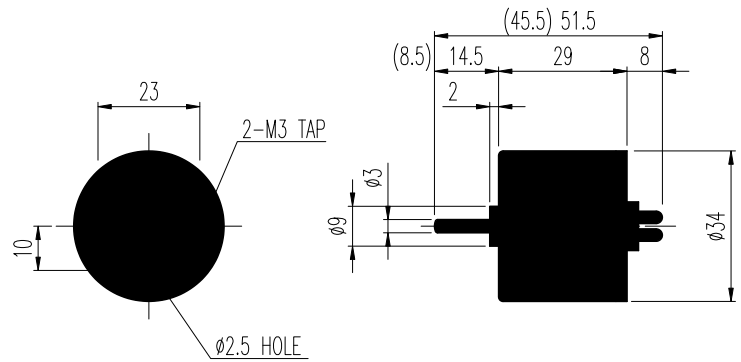
AT MAXIMUM EFFICIENCY (KGC-□□□□-KD3448□□)

GEAR	MODEL		KD3448S1		KD3448S2		KD3448T1		KD3448T2		KD3448P1		KD3448P2	
			DC 12V		DC 24V		DC 12V		DC 24V		DC 12V		DC 24V	
	rpm	kgf-cm	rpm	kgf-cm	rpm	kgf-cm	rpm	kgf-cm	rpm	kgf-cm	rpm	kgf-cm	rpm	kgf-cm
1/0002	2250	0.13	2250	0.13	3250	0.13	3250	0.13	4000	0.13	4000	0.13		
1/0003	1500	0.19	1500	0.19	2167	0.19	2167	0.19	2667	0.19	2667	0.19		
1/0005	900	0.32	900	0.32	1300	0.32	1300	0.32	1600	0.32	1600	0.32		
1/0010	450	0.65	450	0.65	650	0.65	650	0.65	800	0.65	800	0.65		
1/0015	300	0.87	300	0.87	433.3	0.87	433.3	0.87	533	0.87	533	0.87		
1/0020	225	1.1	225	1.1	325	1.1	325	1.1	400	1.1	400	1.1		
1/0025	180	1.4	180	1.4	260	1.4	260	1.4	320	1.4	320	1.4		
1/0030	150	1.7	150	1.7	216.6	1.7	216.6	1.7	267	1.7	267	1.7		
1/0040	112.5	2.1	112.5	2.1	162.5	2.1	162.5	2.1	200	2.1	200	2.1		
1/0050	90	2.6	90	2.6	130	2.6	130	2.6	160	2.6	160	2.6		
1/0060	75	3.1	75	3.1	108.3	3.1	108.3	3.1	133	3.1	133	3.1		
1/0070	64.3	3.3	64.3	3.3	92.8	3.3	92.8	3.3	114.3	3.3	114.3	3.3		
1/0083	54.2	3.9	54.2	3.9	78.3	3.9	78.3	3.9	96.4	3.9	96.4	3.9		
1/0090	50	4.2	50	4.2	72.2	4.2	72.2	4.2	88.9	4.2	88.9	4.2		
1/0100	45	4.7	45	4.7	65	4.7	65	4.7	80	4.7	80	4.7		
1/0120	37.5	5.6	37.5	5.6	54.1	5.6	54.1	5.6	66.7	5.6	66.7	5.6		
1/0150	30	6	30	6	43.3	6	43.3	6	53.3	6	53.3	6		
1/0180	25	6	25	6	36.1	6	36.1	6	44.4	6	44.4	6		
1/0200	22.5	6	22.5	6	32.5	6	32.5	6	40	6	40	6		
1/0210	21.4	6	21.4	6	30.9	6	30.9	6	38.1	6	38.1	6		
1/0240	18.7	6	18.7	6	27.1	6	27.1	6	33.3	6	33.3	6		
1/0300	15	6	15	6	21.6	6	21.6	6	26.7	6	26.7	6		
1/0360	12.5	6	12.5	6	18	6	18	6	22.2	6	22.2	6		
1/0400	11.2	6	11.2	6	16.2	6	16.2	6	20	6	20	6		
1/0500	9	6	9	6	13	6	13	6	16	6	16	6		
1/0600	7.5	6	7.5	6	10.8	6	10.8	6	13.3	6	13.3	6		
1/0750	6	6	6	6	8.6	6	8.6	6	10.7	6	10.7	6		
1/0900	5	6	5	6	7.2	6	7.2	6	8.9	6	8.9	6		
1/1080	4.1	6	4.1	6	6	6	6	6	7.4	6	7.4	6		
1/1350	3.3	6	3.3	6	4.8	6	4.8	6	5.9	6	5.9	6		
1/1620	2.8	6	2.8	6	4	6	4	6	4.9	6	4.9	6		
1/2430	1.8	6	1.8	6	2.6	6	2.6	6	3.3	6	3.3	6		

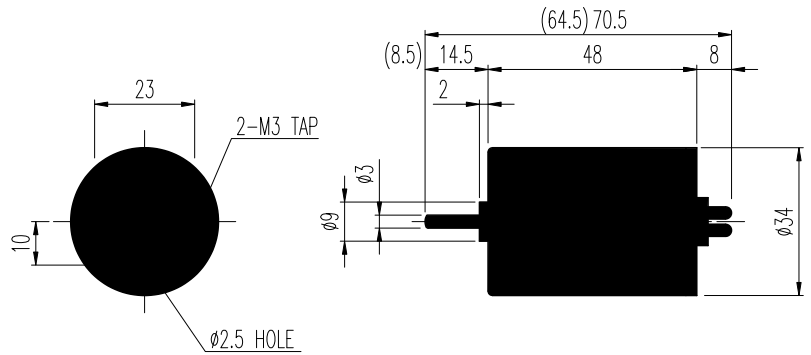
* color gear ratios are same rotation direction with motor.

GGM GGM GEARED MOTOR

KD3429□□ SERIES



KD3448□□ SERIES



ENCODER SERIES

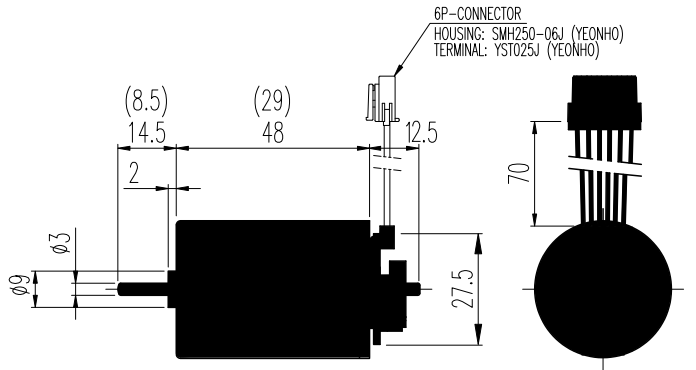
KD3429□□-E & 3448□□-E



6P-CONNECTOR
Wire connection contents

1	DC MOOTR (+) Voltage	In case of supplying power MOTOR CCW-Turning
2	DC MOOTR (-) Voltage	
3	H/SENSOR (+) Voltage	Vcc (+) DC 5 ~ 24V
4	H/SENSOR (-) Voltage	GROUND
5	H/SENSOR #1 OUT	OPEN COLLECTOR MAX. DC 24V -50mA
6	H/SENSOR #1 OUT	

20Pole 10Pulse INCREMENTAL TYPE



PERFORMANCE DATA

