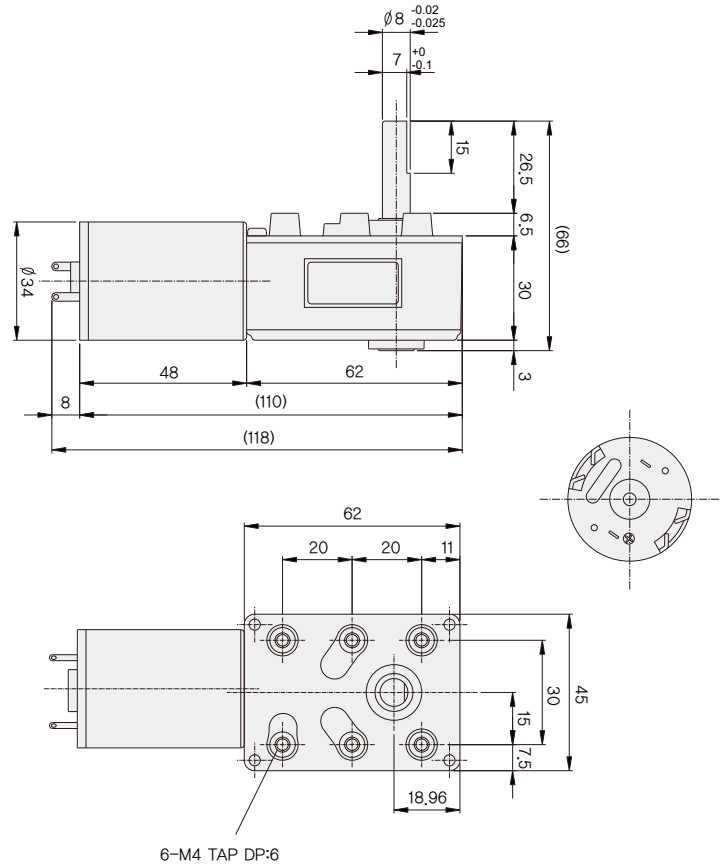


KWB-TYPE

Worm GEARHEAD

DIMENSIONS

KWB-3448 SERIES



AT MAXIMUM EFFICIENCY

GEAR	MODEL	KD3448S1		KD3448S2		KD3448T1		KD3448T2		KD3448P1		KD3448P2	
		DC 12V		DC 24V		DC 12V		DC 24V		DC 12V		DC 24V	
		rpm	kgf-cm	rpm	kgf-cm	rpm	kgf-cm	rpm	kgf-cm	rpm	kgf-cm	rpm	kgf-cm
1/0070		64	1	64	1	92.8	1	92.8	1	114	1	114	1
1/0100		45	1.6	45	1.6	65	1.6	65	1.6	80	1.6	80	1.6
1/0130		34.6	2	34.6	2	50	2	50	2	61.5	2	61.5	2
1/0160		28	2.4	28	2.4	40.6	2.4	40.6	2.4	50	2.4	50	2.4
1/0200		22.5	3.2	22.5	3.2	32.5	3.2	32.5	3.2	40	3.2	40	3.2
1/0260		17.5	4	17.5	4	25.2	4	25.2	4	31	4	31	4
1/0330		13.6	4.6	13.6	4.6	19.6	4.6	19.6	4.6	24.2	4.6	24.2	4.6
1/0400		11.2	5.6	11.2	5.6	16.2	5.6	16.2	5.6	20	5.6	20	5.6
1/0450		10	6.3	10	6.3	14.4	6.3	14.4	6.3	17.7	6.3	17.7	6.3
1/0500		9	7	9	7	13	7	13	7	16	7	16	7
1/0600		7.5	8.4	7.5	8.4	10.8	8.4	10.8	8.4	13.3	8.4	13.3	8.4
1/0750		6	9.4	6	9.4	8.6	9.4	8.6	9.4	10.6	9.4	10.6	9.4
1/0925		4.8	11.7	4.8	11.7	7	11.7	7	11.7	8.6	11.7	8.6	11.7
1/1000		4.5	12.6	4.5	12.6	6.5	12.6	6.5	12.6	8	12.6	8	12.6
1/1800		2.5	20	2.5	20	3.6	20	3.6	20	4.4	20	4.4	20

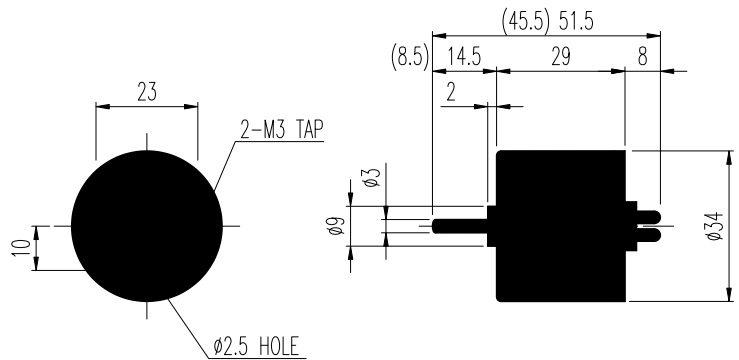
* color gear ratios are same rotation direction with motor.

* The standard is F-TYPE.

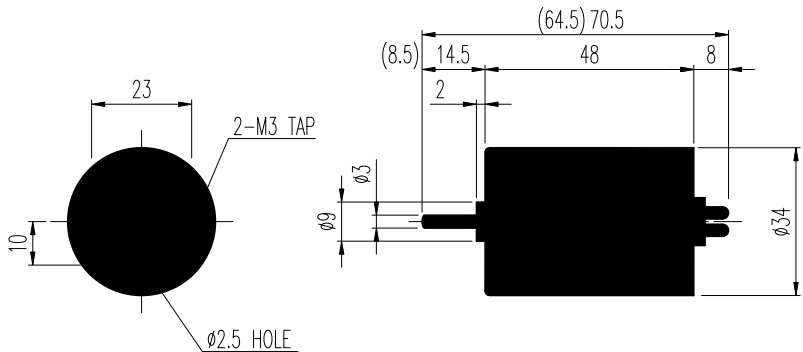
* R type available.

GGM GGM GEARED MOTOR

KD3429□□ SERIES



KD3448□□ SERIES



ENCODER SERIES

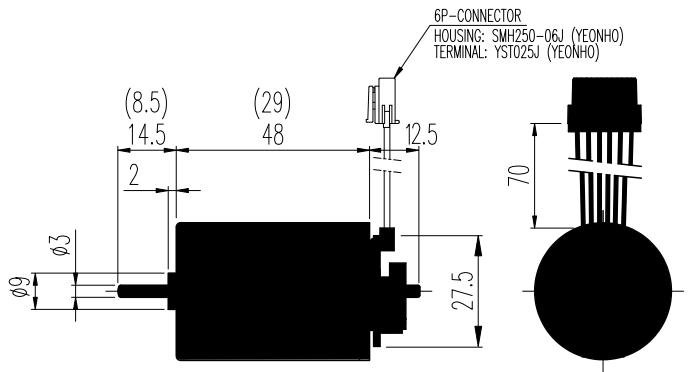
KD3429□□-E & 3448□□-E



6P-CONNECTOR
Wire connection contents

1	DC MOOTR (+) Voltage	In case of supplying power MOTOR CCW-Turning
2	DC MOOTR (-) Voltage	
3	H/SENSOR (+) Voltage	Vcc (+) DC 5 ~ 24V
4	H/SENSOR (-) Voltage	GROUND
5	H/SENSOR #1 OUT	OPEN COLLECTOR MAX. DC 24V -50mA
6	H/SENSOR #1 OUT	

20Pole 10Pulse INCREMENTAL TYPE



PERFORMANCE DATA

