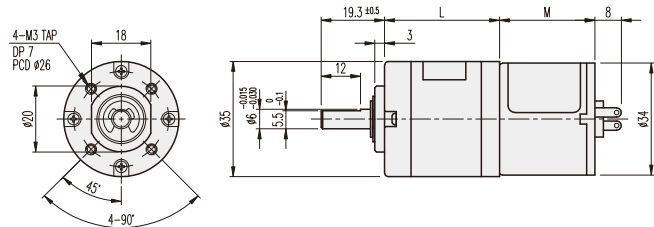


## K35-TYPE

## Planetary GEARHEAD

### DIMENSIONS

#### K35-3429 & 3448 SERIES



GEARHEAD LENGTH	
RATIO	L
1/005	22.1
1/014 ~ 1/027	28.5
1/051 ~ 1/139	34.9
1/189 ~ 1/721	41.3

MOTOR LENGTH	
MOTOR	M
KM3429 SERIES	29
KM3448 SERIES	48

#### AT MAXIMUM EFFICIENCY (K35-□□□□-KD3429□□)

GEAR	MODEL	KD3429S1		KD3429S2		KD3429T1		KD3429T2		KD3429P1		KD3429P2	
		DC 12V		DC 24V		DC 12V		DC 24V		DC 12V		DC 24V	
		rpm	kgf-cm	rpm	kgf-cm	rpm	kgf-cm	rpm	kgf-cm	rpm	kgf-cm	rpm	kgf-cm
1/0005		900	0.16	900	0.16	1300	0.16	1300	0.16	1600	0.3	1600	0.16
1/0014		321	0.35	321	0.35	464	0.35	464	0.35	571	0.7	571	0.35
1/0019		236	0.48	236	0.48	342	0.48	342	0.48	421	1	421	0.48
1/0027		166	0.69	166	0.69	240	0.69	240	0.69	296	1.4	296	0.69
1/0051		88	1	88	1	127	1	127	1	156	2.1	156	1
1/0071		63	1.5	63	1.5	91	1.5	91	1.5	112	2.9	112	1.5
1/0100		45	2	45	2	65	2	65	2	80	4.1	80	2
1/0139		32	2.8	32	2.8	46	2.8	46	2.8	57	5.7	57	2.8
1/0189		23	3.1	23	3.1	34	3.1	34	3.1	42	6.2	42	3.1
1/0264		17	4.3	17	4.3	24	4.3	24	4.3	30	8.6	30	4.3
1/0369		12	6	12	6	17	6	17	6	21	12	21	6
1/0516		8	8.5	8	8.5	12	8.5	12	8.5	15	12	15	8.5
1/0721		6	11.8	6	11.8	9	11.8	9	11.8	11	12	11	11.8

#### AT MAXIMUM EFFICIENCY (K35-□□□□-KD3448□□)

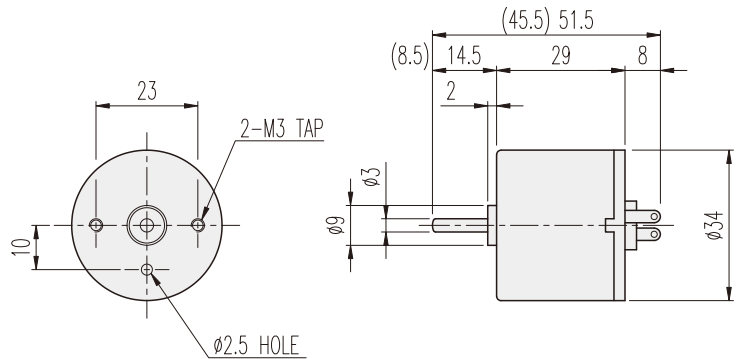
GEAR	MODEL	KD3448S1		KD3448S2		KD3448T1		KD3448T2		KD3448P1		KD3448P2	
		DC 12V		DC 24V		DC 12V		DC 24V		DC 12V		DC 24V	
		rpm	kgf-cm	rpm	kgf-cm	rpm	kgf-cm	rpm	kgf-cm	rpm	kgf-cm	rpm	kgf-cm
1/0005		900	0.3	900	0.3	1300	0.3	1300	0.3	1600	0.3	1600	0.3
1/0014		321	0.7	321	0.7	464	0.7	464	0.7	571	0.7	571	0.7
1/0019		236	1	236	1	342	1	342	1	421	1	421	1
1/0027		166	1.4	166	1.4	240	1.4	240	1.4	296	1.4	296	1.4
1/0051		88	2.1	88	2.1	127	2.1	127	2.1	156	2.1	156	2.1
1/0071		63	2.9	63	2.9	91	2.9	91	2.9	112	2.9	112	2.9
1/0100		45	4.1	45	4.1	65	4.1	65	4.1	80	4.1	80	4.1
1/0139		32	5.7	32	5.7	46	5.7	46	5.7	57	5.7	57	5.7
1/0189		23	6.2	23	6.2	34	6.2	34	6.2	42	6.2	42	6.2
1/0264		17	8.6	17	8.6	24	8.6	24	8.6	30	8.6	30	8.6
1/0369		12	12	12	12	17	12	17	12	21	12	21	12
1/0516		8	12	8	12	12	12	12	12	15	12	15	12
1/0721		6	12	6	12	9	12	9	12	11	12	11	12

\* 出力軸の回転方向は、モーターの回転方向と同じです。

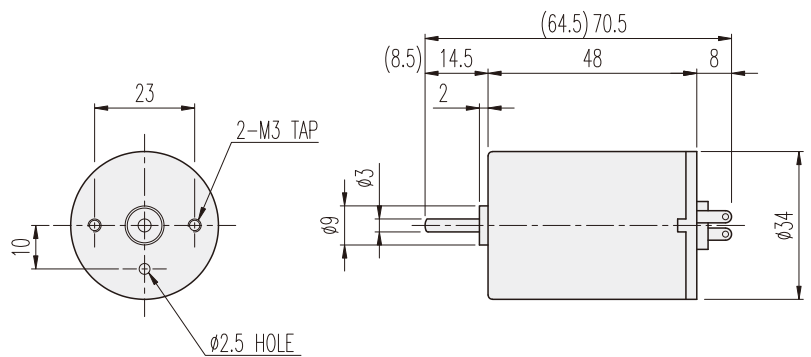
## KD□-34□□-TYPE

### DIMENSIONS

#### KD3429□□ SERIES



#### KD3448□□ SERIES



#### ENCODER SERIES

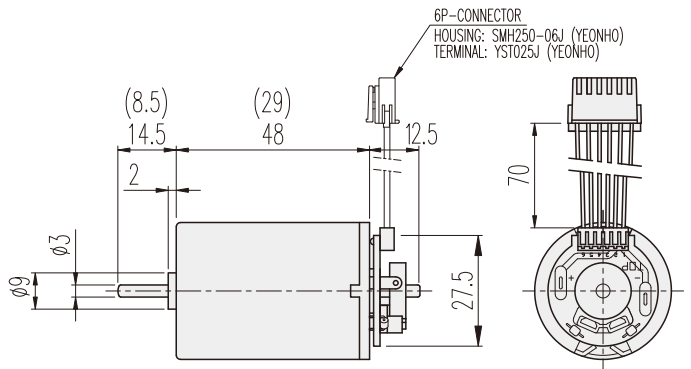
#### KD3429□□-E & 3448□□-E



6P-CONNECTOR 結線内容

No.1	接続内容	備考
1	DC MOOTR (+) 電源	電源投入時 MOTOR CCW回転
2	DC MOOTR (-) 電源	
3	H/SENSOR (+) 電源	Vcc (+) DC 5 ~ 24V
4	H/SENSOR (-) 電源	GROUND
5	H/SENSOR #1 OUT	OPEN COLLECTOR MAX. DC 24V -50mA
6	H/SENSOR #1 OUT	

20ポール10パルス INCREMENTAL TYPE



#### PERFORMANCE DATA

MODEL	ITEM	VOLTAGE (DC)	NO LOAD		AT MAX. EFF.		STALL		WEIGHT (g)	
			mA	rpm	gf-cm	A	rpm	A		gf-cm
KD3429S1		12V	120	5200	40	0.3	4500	1.7	360	90
KD3429S2		24V	70	5200	40	0.2	4500	1	370	
KD3429T1		12V	150	7500	40	0.5	6500	3.8	420	
KD3429T2		24V	80	7500	40	0.2	6500	1.2	320	
KD3429P1		12V	200	9500	80	1	8000	3.8	330	140
KD3429P2		24V	100	9500	40	0.3	8000	2	350	
KD3448S1		12V	150	5200	80	0.5	4500	3.2	830	
KD3448S2		24V	80	5200	80	0.3	4500	2	790	
KD3448T1		12V	220	7500	80	0.7	6500	5	730	
KD3448T2		24V	100	7500	80	0.4	6500	3	700	
KD3448P1		12V	300	9000	80	0.8	8000	5.5	670	
KD3448P2		24V	200	9000	80	0.5	8000	3.5	750	