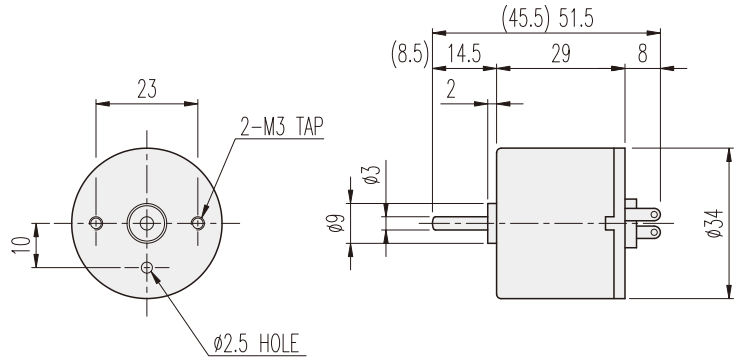


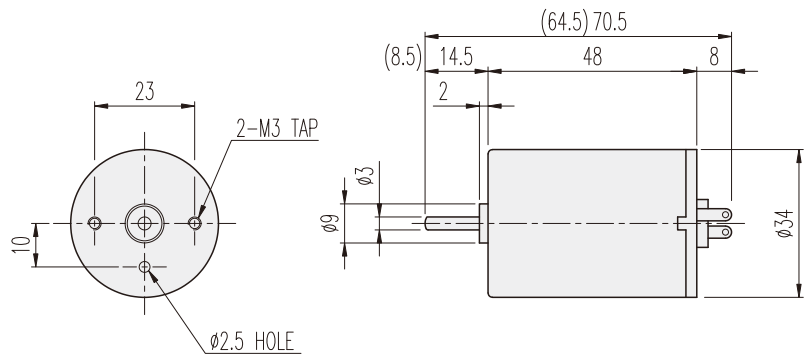
## KD□-34□□-TYPE

### DIMENSIONS

#### KD3429□□ SERIES



#### KD3448□□ SERIES



#### ENCODER SERIES

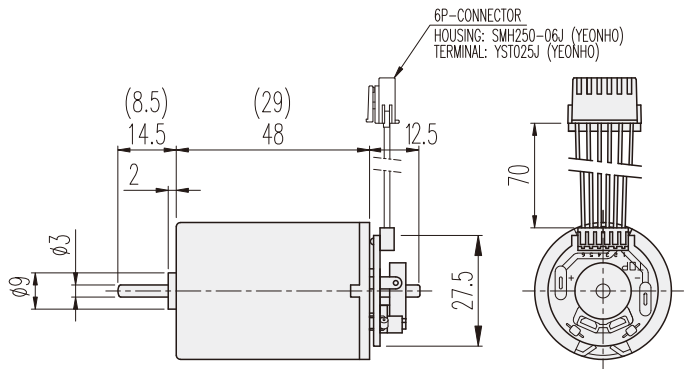
#### KD3429□□-E & 3448□□-E



6P-CONNECTOR 結線内容

| No.1 | 接続内容            | 備考                                  |
|------|-----------------|-------------------------------------|
| 1    | DC MOOTR (+) 電源 | 電源投入時<br>MOTOR CCW回転                |
| 2    | DC MOOTR (-) 電源 |                                     |
| 3    | H/SENSOR (+) 電源 | Vcc (+) DC 5 ~ 24V                  |
| 4    | H/SENSOR (-) 電源 | GROUND                              |
| 5    | H/SENSOR #1 OUT | OPEN COLLECTOR<br>MAX. DC 24V -50mA |
| 6    | H/SENSOR #1 OUT |                                     |

20ポール10パルス INCREMENTAL TYPE



#### PERFORMANCE DATA

| MODEL | ITEM     | VOLTAGE (DC) | NO LOAD |      | AT MAX. EFF. |     | STALL |     | WEIGHT (g) |
|-------|----------|--------------|---------|------|--------------|-----|-------|-----|------------|
|       |          |              | mA      | rpm  | gf-cm        | A   | rpm   | A   |            |
| 90    | KD3429S1 | 12V          | 120     | 5200 | 40           | 0.3 | 4500  | 1.7 | 360        |
|       | KD3429S2 | 24V          | 70      | 5200 | 40           | 0.2 | 4500  | 1   | 370        |
|       | KD3429T1 | 12V          | 150     | 7500 | 40           | 0.5 | 6500  | 3.8 | 420        |
|       | KD3429T2 | 24V          | 80      | 7500 | 40           | 0.2 | 6500  | 1.2 | 320        |
| 140   | KD3429P1 | 12V          | 200     | 9500 | 80           | 1   | 8000  | 3.8 | 330        |
|       | KD3429P2 | 24V          | 100     | 9500 | 40           | 0.3 | 8000  | 2   | 350        |
|       | KD3448S1 | 12V          | 150     | 5200 | 80           | 0.5 | 4500  | 3.2 | 830        |
|       | KD3448S2 | 24V          | 80      | 5200 | 80           | 0.3 | 4500  | 2   | 790        |
|       | KD3448T1 | 12V          | 220     | 7500 | 80           | 0.7 | 6500  | 5   | 730        |
|       | KD3448T2 | 24V          | 100     | 7500 | 80           | 0.4 | 6500  | 3   | 700        |
|       | KD3448P1 | 12V          | 300     | 9000 | 80           | 0.8 | 8000  | 5.5 | 670        |
|       | KD3448P2 | 24V          | 200     | 9000 | 80           | 0.5 | 8000  | 3.5 | 750        |