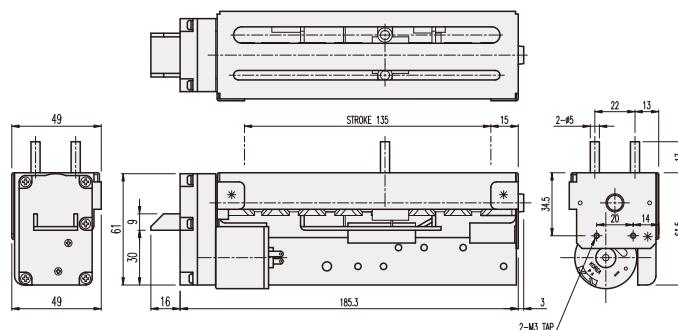
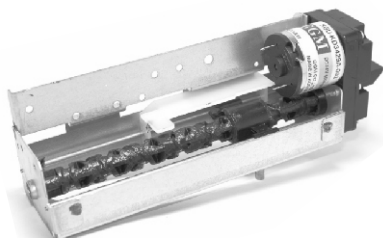


KGU-TYPE

DIMENSIONS

KGU SERIES



AT MAXIMUM EFFICIENCY (KGU-0035-KD3429□□)

MODEL	PART	VOLTAGE (DC)	NO LOAD				AT MAX. EFF.				STALL	
			mA	rpm	L(mm)	CYCLE/min.	kgf-cm	mA	rpm	CYCLE/min.	kgf-cm	A
KD3429S1		12V	150	140	134	10	1	250	126	9	9.2	1.7
KD3429S2		24V	100	140	134	10	1	200	126	9	9.5	1
KD3429T1		12V	200	210	134	14	1	500	168	12	10.8	3.8
KD3429T2		24V	150	210	134	14	1	200	168	12	8.2	1.2
KD3429P1		12V	250	252	134	18	2	1000	210	15	8.5	3.8
KD3429P2		24V	180	252	134	18	1	300	210	15	9	2

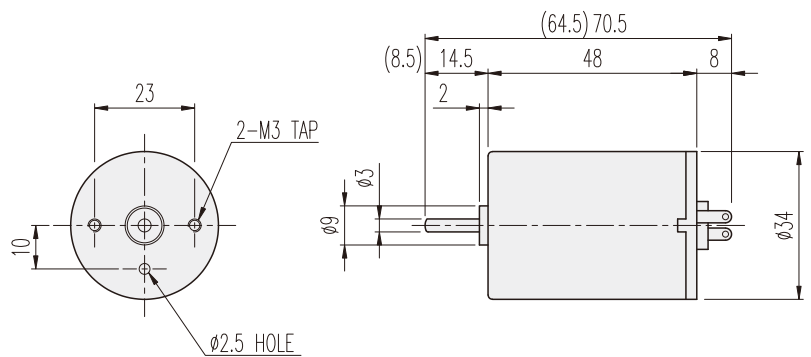
KD□-34□□-TYPE

DIMENSIONS

KD3429□□ SERIES



KD3448□□ SERIES



ENCODER SERIES

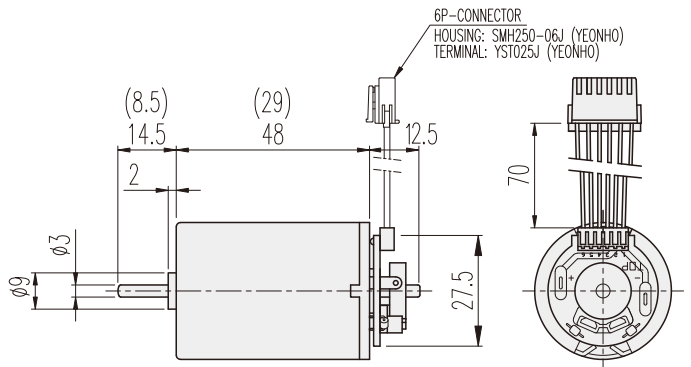
KD3429□□-E & 3448□□-E



6P-CONNECTOR 結線内容

No.1	接続内容	備考
1	DC MOOTR (+) 電源	電源投入時 MOTOR CCW回転
2	DC MOOTR (-) 電源	
3	H/SENSOR (+) 電源	Vcc (+) DC 5 ~ 24V
4	H/SENSOR (-) 電源	GROUND
5	H/SENSOR #1 OUT	OPEN COLLECTOR MAX. DC 24V -50mA
6	H/SENSOR #1 OUT	

20ポール10パルス INCREMENTAL TYPE



PERFORMANCE DATA

MODEL	ITEM	VOLTAGE (DC)	NO LOAD		AT MAX. EFF.		STALL		WEIGHT (g)
			mA	rpm	gf-cm	A	rpm	A	
90	KD3429S1	12V	120	5200	40	0.3	4500	1.7	360
	KD3429S2	24V	70	5200	40	0.2	4500	1	370
	KD3429T1	12V	150	7500	40	0.5	6500	3.8	420
	KD3429T2	24V	80	7500	40	0.2	6500	1.2	320
140	KD3429P1	12V	200	9500	80	1	8000	3.8	330
	KD3429P2	24V	100	9500	40	0.3	8000	2	350
	KD3448S1	12V	150	5200	80	0.5	4500	3.2	830
	KD3448S2	24V	80	5200	80	0.3	4500	2	790
	KD3448T1	12V	220	7500	80	0.7	6500	5	730
	KD3448T2	24V	100	7500	80	0.4	6500	3	700
	KD3448P1	12V	300	9000	80	0.8	8000	5.5	670
	KD3448P2	24V	200	9000	80	0.5	8000	3.5	750