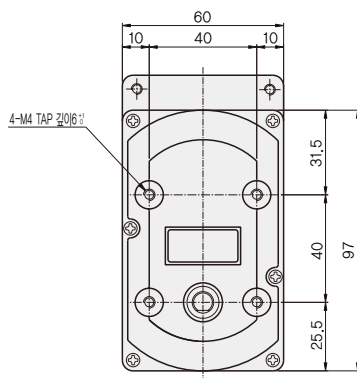


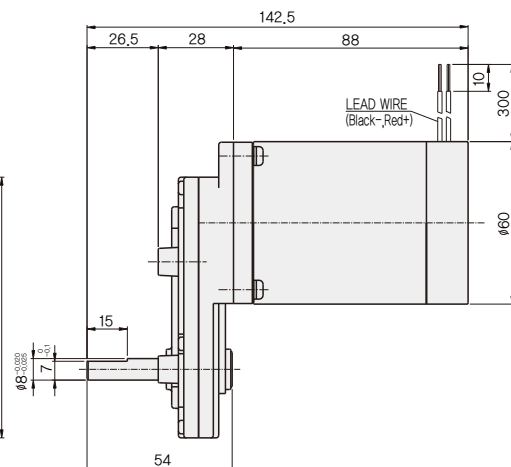
KGY-TYPE

DIMENSIONS

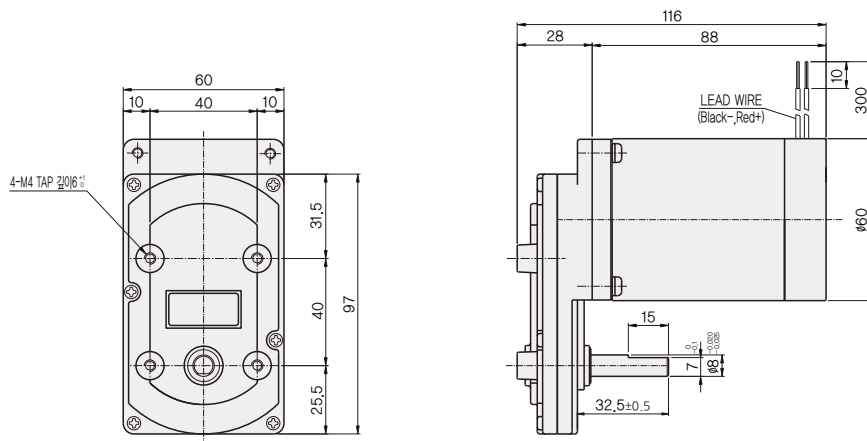
KGY SERIES (DC 15W)



F TYPE



R TYPE



MOTOR PERFORMANCE DATA

MODEL	MOTOR		NO LOAD		AT MAX. EFF.			STALL	
	VOLTAGE	OUTPUT(W)	rpm	A	rpm	kgf-cm	A	kgf-cm	A
K6DG15N1	DC 12V	15	3250	0.6	3000	0.49	1.7	3.7	13.5
K6DG15N2	DC 24V	15	3480	0.4	3000	0.5	1.1	4.2	7.5
K6DG15N3	DC 90V	15	3200	0.06	3000	0.49	0.28	3	1.6

※ 標準では、F-TYPEです。

KGY-TYPE

DIMENSIONS

AT MAXIMUM EFFICIENCY (KGY-□□□□-K6DG15N□)

GEAR \ MODEL	K6DG15N1		K6DG15N2		K6DG15N3	
	DC 12V-15W		DC 24V-15W		DC 90V-15W	
	rpm	kgf-cm	rpm	kgf-cm	rpm	kgf-cm
1/0008	375	2.9	375	2.9	375	2.9
1/0011	272.7	3.9	272.7	3.9	272.7	3.9
1/0015	200	5.4	200	5.4	200	5.4
1/0021	142.8	7.5	142.8	7.5	142.8	7.5
1/0027	111.1	9.6	111.1	9.6	111.1	9.6
1/0031	96.8	11.1	96.8	11.1	96.8	11.1
1/0036	83.3	12.9	83.3	12.9	83.3	12.9
1/0043	69.8	15.4	69.8	15.4	69.8	15.4
1/0047	63.8	16.8	63.8	16.8	63.8	16.8
1/0055	54.5	19.6	54.5	19.6	54.5	19.6
1/0060	50	20	50	20	50	20
1/0075	40	20	40	20	40	20
1/0086	34.9	20	34.9	20	34.9	20
1/0100	30	20	30	20	30	20
1/0115	26.1	20	26.1	20	26.1	20
1/0130	23.1	20	23.1	20	23.1	20
1/0145	20.7	20	20.7	20	20.7	20
1/0165	18.2	20	18.2	20	18.2	20
1/0200	15	20	15	20	15	20
1/0250	12	20	12	20	12	20
1/0275	10.9	20	10.9	20	10.9	20
1/0300	10	20	10	20	10	20
1/0360	8.3	20	8.3	20	8.3	20
1/0450	6.7	20	6.7	20	6.7	20
1/0550	5.5	20	5.5	20	5.5	20
1/0590	5.1	20	5.1	20	5.1	20
1/0680	4.4	20	4.4	20	4.4	20
1/0740	4.1	20	4.1	20	4.1	20
1/0825	3.6	20	3.6	20	3.6	20

※ 色の減速比は、モーターと出力軸の回転方向は同じです。

※ 標準では、F-TYPEです。