

GEARHEAD

DIMENSIONS

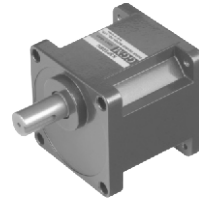
K9P□B



K9P□BF, BUF

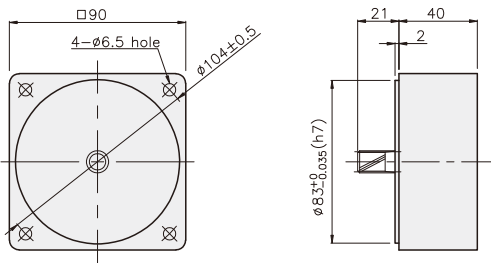


K9P□BU

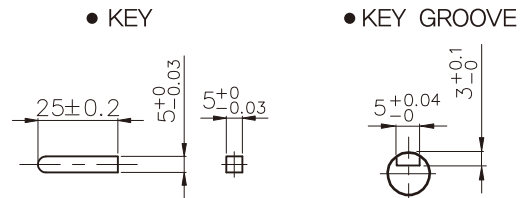


DECIMAL GEARHEAD

K9P10BX

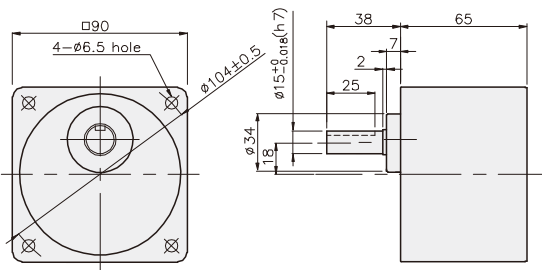


KEYSPEC

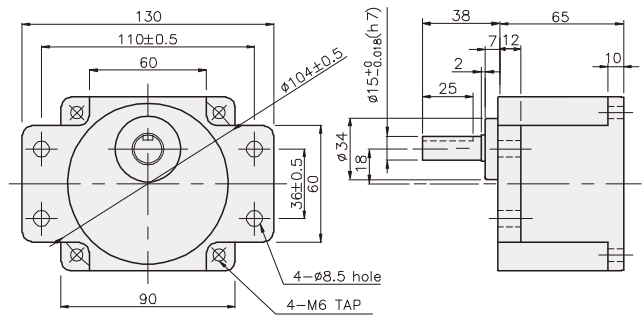


GEARHEAD

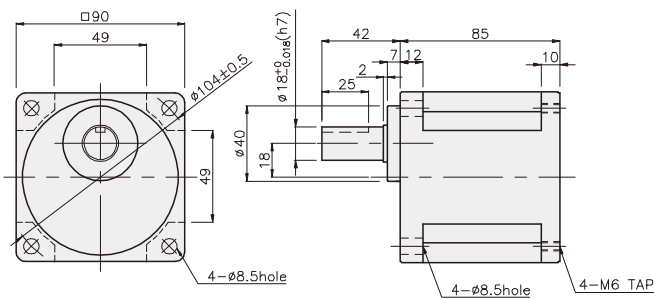
K9P□B



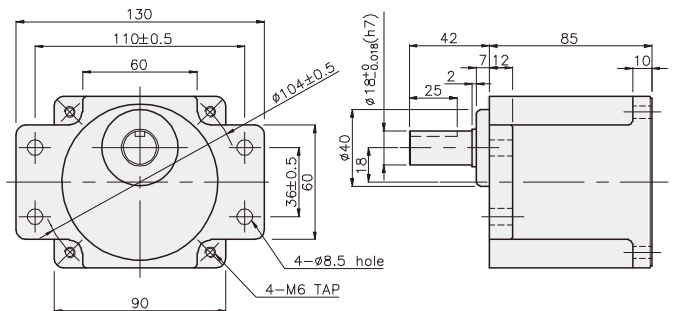
K9P□BF



K9P□BU



K9P□BUF



GEARHEAD

DIMENSIONS

K9RP120F□-SU + K9P□B



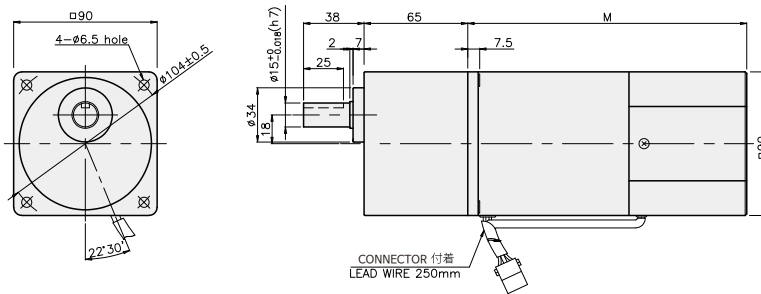
K9RP120F□-SU + K9P□BF, BUF



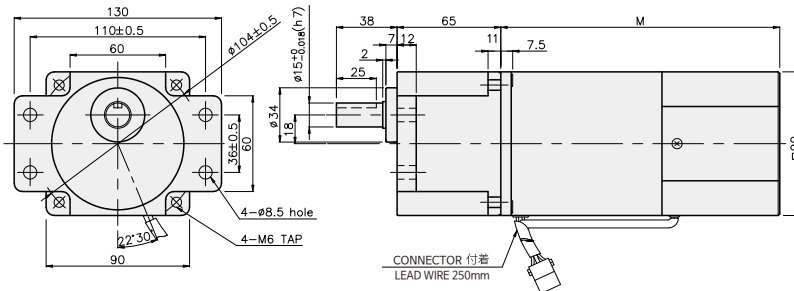
K9RP120F□-SU + K9P□BU



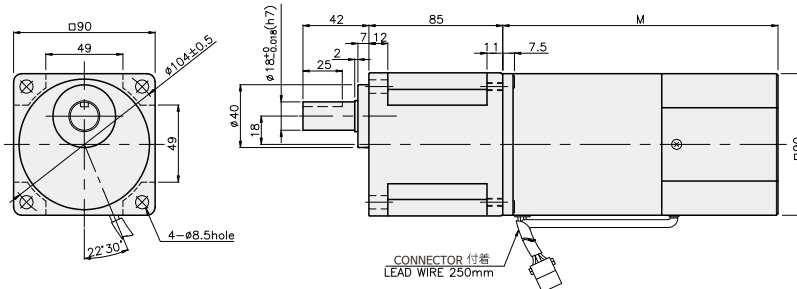
K9RP120F□-SU + K9P□B



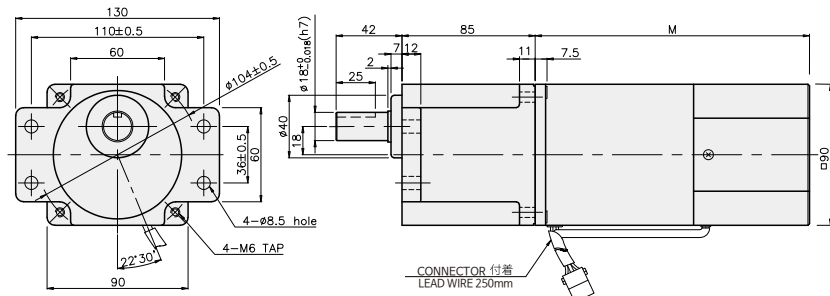
K9RP120F□-SU + K9P□BF



K9RP120F□-SU + K9P□BU



K9RP120F□-SU + K9P□BUF



重さ

PART	WEIGHT(kg)
MOTOR	3.54
DECIMAL GEARHEAD	0.62

寸法図表

品番	M	Application Model
01	195	50Hz
02	175	60Hz

寸法図表

品番	適用機種	取付BOLT
01	K9P3~200B	M6 P1.0 × 95
02	K9P10BX	M6 P1.0 × 140

重さ

PART	WEIGHT(kg)
K9P3~10B	1.22
K9P12.5~20B	1.32
K9P25~60B	1.42
K9P75~200B	1.45

寸法図表

品番	適用機種	取付BOLT
01	K9P3~200BF	M6 P1.0 × 20
02	K9P10BX	M6 P1.0 × 65

重さ

PART	WEIGHT(kg)
K9P3~10BF	1.22
K9P12.5~20BF	1.30
K9P25~60BF	1.42
K9P75~200BF	1.44

寸法図表

品番	適用機種	取付BOLT
01	K9P3~200BU	M6 P1.0 × 20
02	K9P10BX	M6 P1.0 × 65

重さ

PART	WEIGHT(kg)
K9P3~10BU	1.44
K9P12.5~20BU	1.55
K9P25~60BU	1.69
K9P75~200BU	1.74

寸法図表

品番	適用機種	取付BOLT
01	K9P3~200BUF	M6 P1.0 × 20
02	K9P10BX	M6 P1.0 × 65

重さ

PART	WEIGHT(kg)
K9P3~10BUF	1.50
K9P12.5~20BUF	1.62
K9P25~60BUF	1.76
K9P75~200BUF	1.82