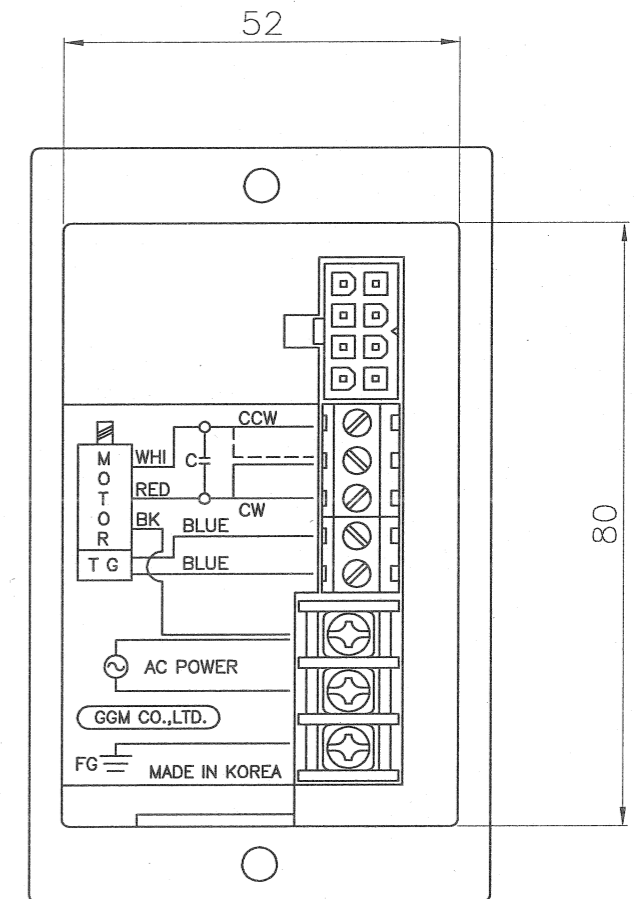
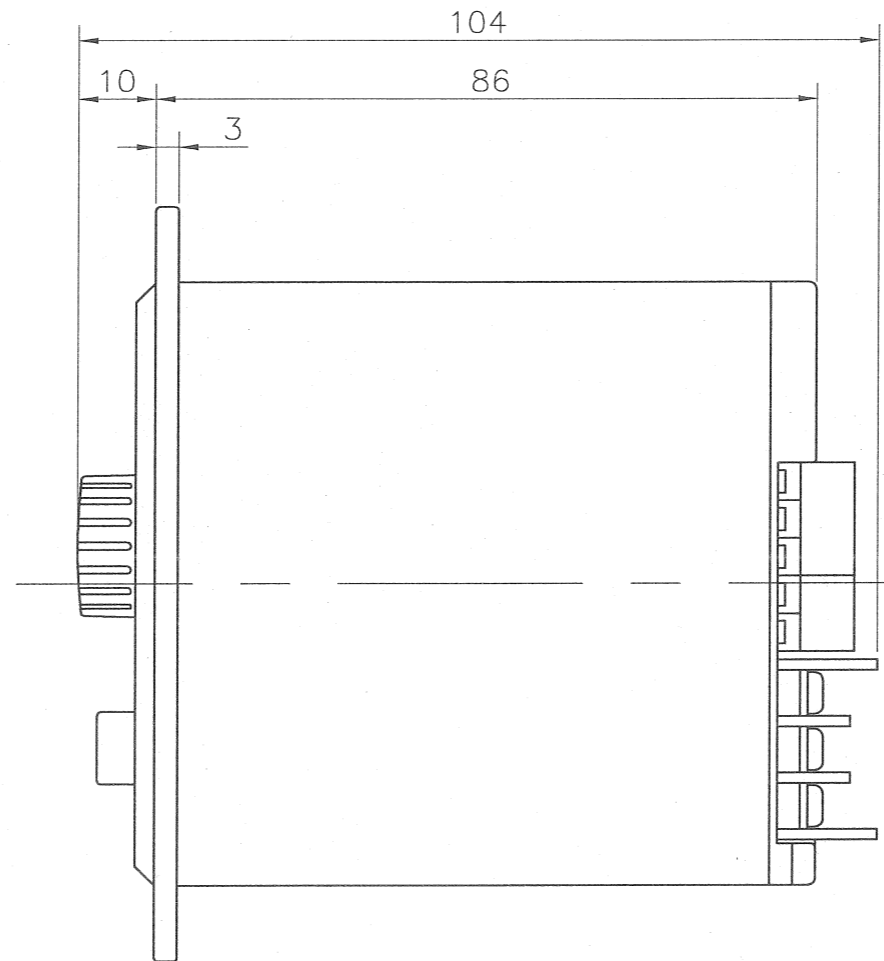
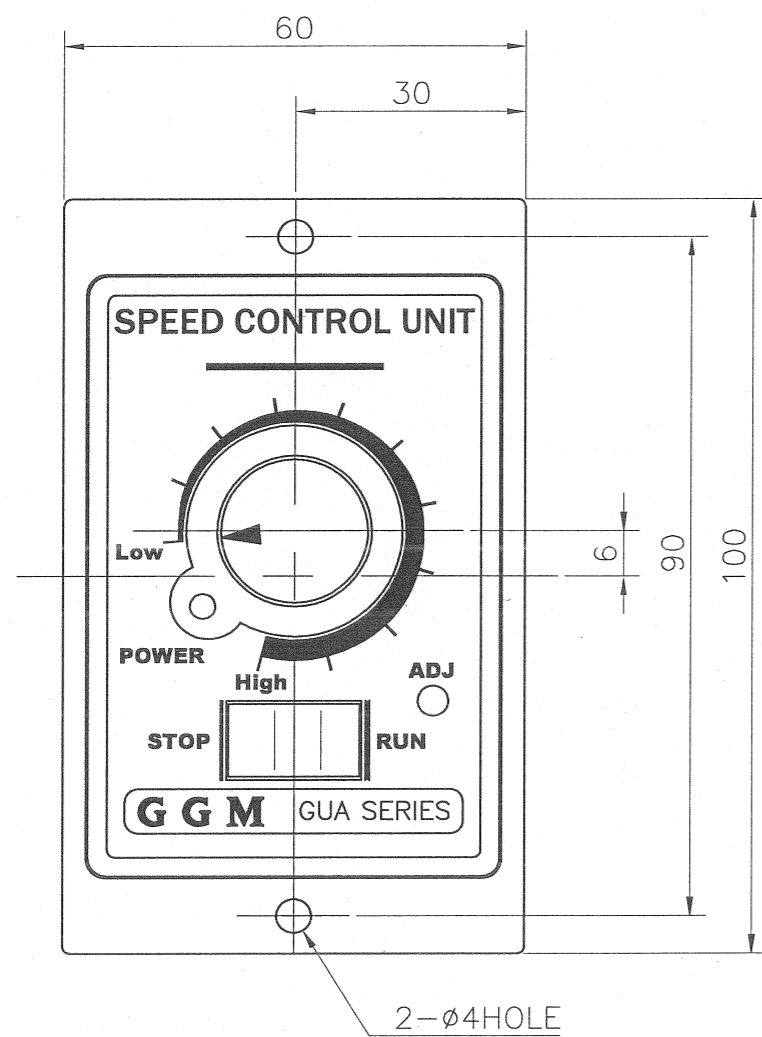


No.	REMARK	REVISION No.	SIGN



DRAW		SCALE : 1 / 1	PART NAME
DESIGNED		UNIT : mm	OUTLINE
CHECKED			APPLICATION MODEL
APPROVED			GUA SPEED CONTROLLER
		RELATION DWG.	DWG NO.
			2-OL-00420