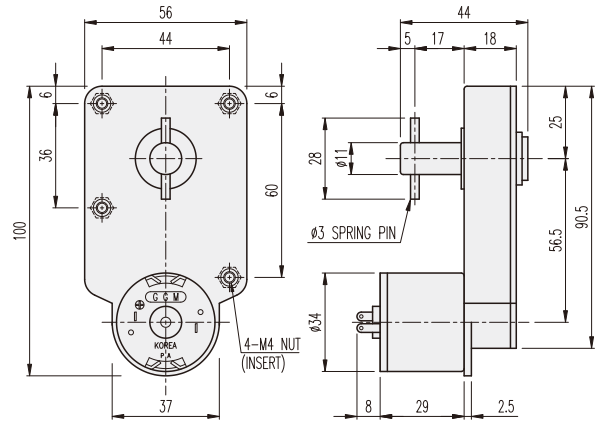


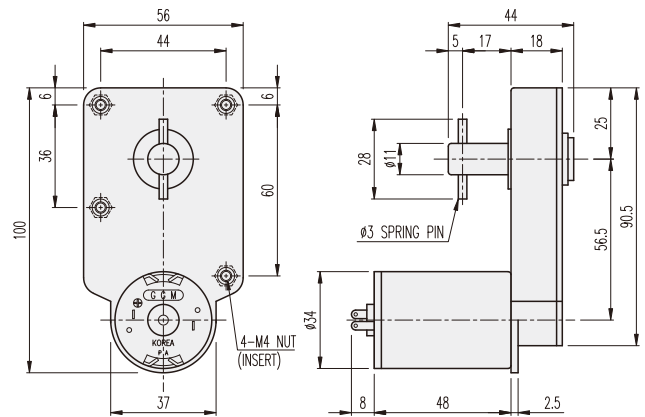
KGP-TYPE(INsert)

DIMENSIONS

KGP-3429 SERIES



KGP-3448 SERIES



AT MAXIMUM EFFICIENCY (KGP-□□□□-KD3429□□)

GEAR	MODEL	KD3429S1		KD3429S2		KD3429T1		KD3429T2		KD3429P1		KD3429P2	
		DC 12V		DC 24V		DC 12V		DC 24V		DC 12V		DC 24V	
		rpm	kgf-cm	rpm	kgf-cm	rpm	kgf-cm	rpm	kgf-cm	rpm	kgf-cm	rpm	kgf-cm
1/0062		72.6	1.5	72.6	1.5	104.8	1.5	104.8	1.5	129	3.2	129	1.5
1/0116		38.8	2.7	38.8	2.7	56	2.7	56	2.7	69	6	69	2.7

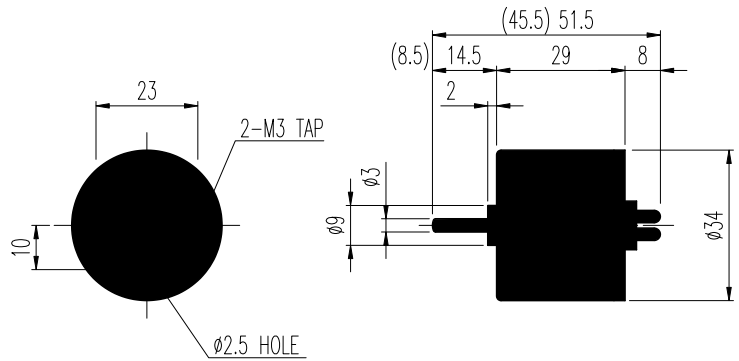
AT MAXIMUM EFFICIENCY (KGP-□□□□-KD3448□□)

GEAR	MODEL	KD3448S1		KD3448S2		KD3448T1		KD3448T2		KD3448P1		KD3448P2	
		DC 12V		DC 24V		DC 12V		DC 24V		DC 12V		DC 24V	
		rpm	kgf-cm	rpm	kgf-cm	rpm	kgf-cm	rpm	kgf-cm	rpm	kgf-cm	rpm	kgf-cm
1/0062		72.6	3.2	72.6	3.2	104.8	3.2	104.8	3.2	129	3.2	129	3.2
1/0116		38.8	6	38.8	6	56	6	56	6	69	6	69	6

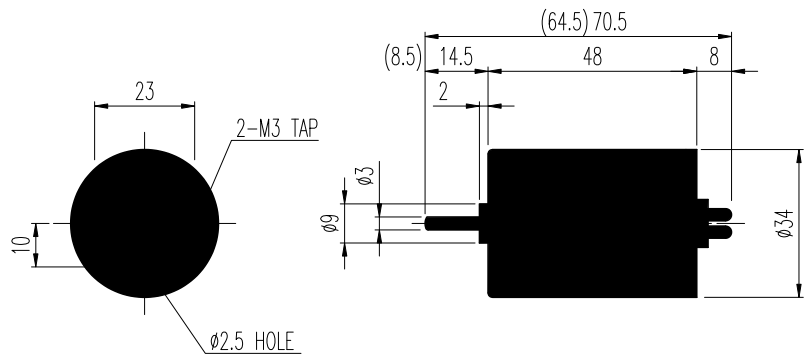
※ 減速比全体モーターと出力軸の回転方向は同じです。

GGM GGM GEARED MOTOR

KD3429□□ SERIES

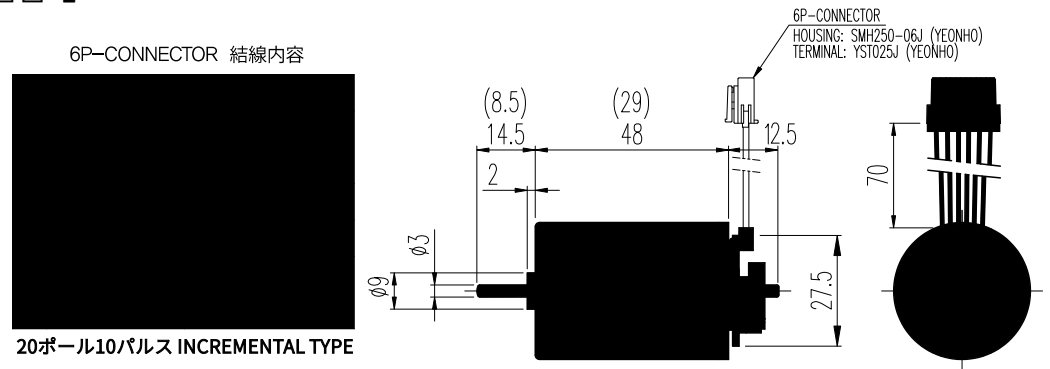


KD3448□□ SERIES



ENCODER SERIES

KD3429□□-E & 3448□□-E



PERFORMANCE DATA

12V	120	5200	40	0.3	4500	1.7	360	90
12V	150	7500	40	0.5	6500	3.8	420	
12V	200	9500	80	1	8000	3.8	330	
12V	150	5200	80	0.5	4500	3.2	830	140
12V	220	7500	80	0.7	6500	5	730	
12V	300	9000	80	0.8	8000	5.5	670	