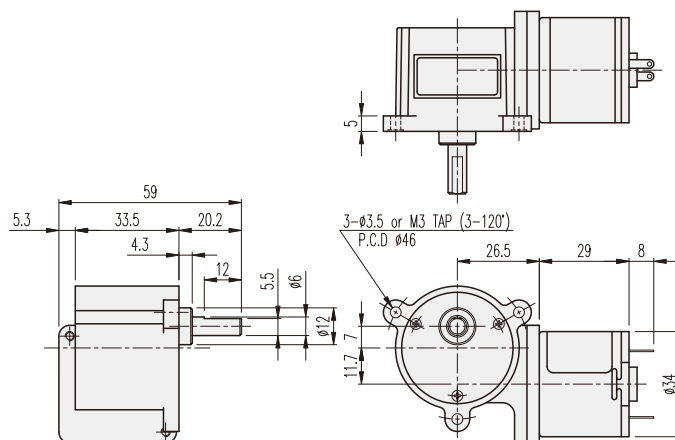


### DIMENSIONS

#### KWC-3429 SERIES



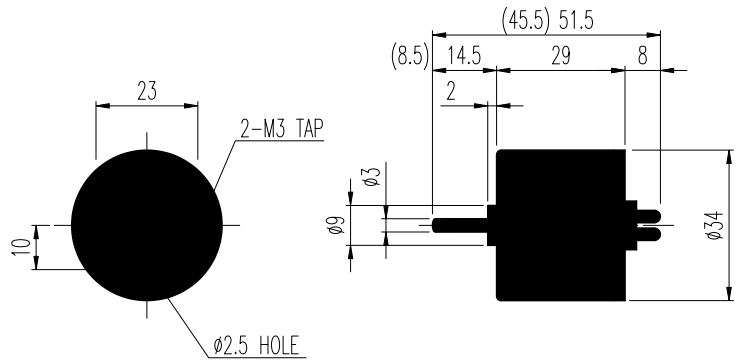
#### AT MAXIMUM EFFICIENCY (KWC-□□□□-KD3429□□)

GEAR	MODEL		KD3429S1		KD3429S2		KD3429T1		KD3429T2		KD3429P1		KD3429P2	
			DC 12V		DC 24V		DC 12V		DC 24V		DC 12V		DC 24V	
	rpm	kgf-cm	rpm	kgf-cm	rpm	kgf-cm	rpm	kgf-cm	rpm	kgf-cm	rpm	kgf-cm	rpm	kgf-cm
1/0025	180	0.2	180	0.2	260	0.2	260	0.2	320	0.4	320	0.2		
1/0030	150	0.3	150	0.3	217	0.3	217	0.3	267	0.5	267	0.3		
1/0050	90	0.4	90	0.4	130	0.4	130	0.4	160	0.9	160	0.4		
1/0060	75	0.5	75	0.5	108	0.5	108	0.5	133	0.9	133	0.5		
1/0075	60	0.6	60	0.6	87	0.6	87	0.6	107	1.2	107	0.6		
1/0100	45	0.8	45	0.8	65	0.8	65	0.8	80	1.6	80	0.8		
1/0125	36	1	36	1	52	1	52	1	64	1.9	64	1		
1/0150	30	1.2	30	1.2	43	1.2	43	1.2	53	2.3	53	1.2		
1/0200	22.5	1.4	22.5	1.4	32.5	1.4	32.5	1.4	40	2.8	40	1.4		
1/0250	18	1.7	18	1.7	26	1.7	26	1.7	32	3.5	32	1.7		
1/0300	15	2.1	15	2.1	21.7	2.1	21.7	2.1	26.7	4.2	26.7	2.1		
1/0375	12	2.6	12	2.6	17.3	2.6	17.3	2.6	21.3	5.2	21.3	2.6		
1/0500	9	3.5	9	3.5	13	3.5	13	3.5	16	6	16	3.5		
1/0600	7.5	3.8	7.5	3.8	10.8	3.8	10.8	3.8	13.3	6	13.3	3.8		
1/0750	6	4.7	6	4.7	8.7	4.7	8.7	4.7	10.7	6	10.7	4.7		
1/0900	5	6	5	6	7.2	6	7.2	6	8.9	6	8.9	6		
1/1050	4.3	6	4.3	6	6.2	6	6.2	6	7.6	6	7.6	6		
1/1350	3.3	6	3.3	6	4.8	6	4.8	6	5.9	6	5.9	6		
1/1500	3	6	3	6	4.3	6	4.3	6	5.3	6	5.3	6		

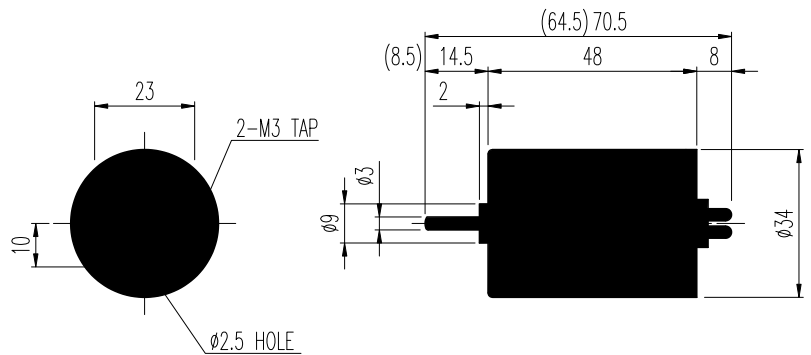
※    色の減速比の回転方向はCW。[MOTORの (+) 端子に (+) 電源投入時]

# GGM GGM GEARED MOTOR

## KD3429□□ SERIES

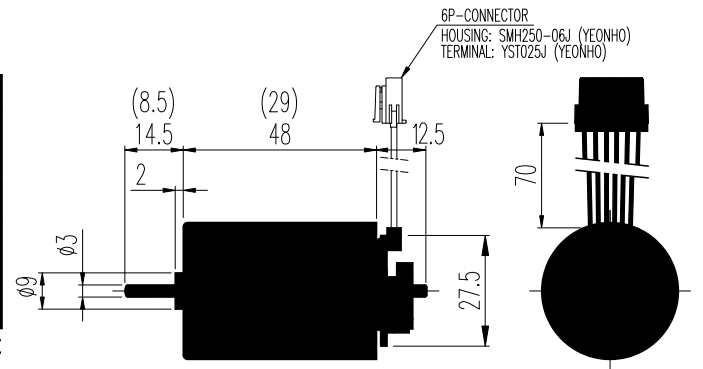
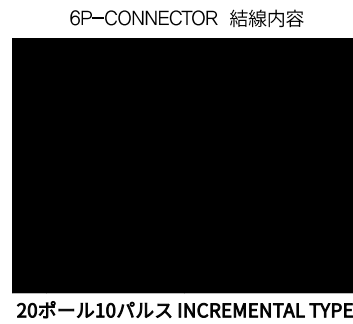


## KD3448□□ SERIES



## ENCODER SERIES

### KD3429□□-E & 3448□□-E



## PERFORMANCE DATA

12V	120	5200	40	0.3	4500	1.7	360	90
12V	150	7500	40	0.5	6500	3.8	420	
12V	200	9500	80	1	8000	3.8	330	
12V	150	5200	80	0.5	4500	3.2	830	140
12V	220	7500	80	0.7	6500	5	730	
12V	300	9000	80	0.8	8000	5.5	670	