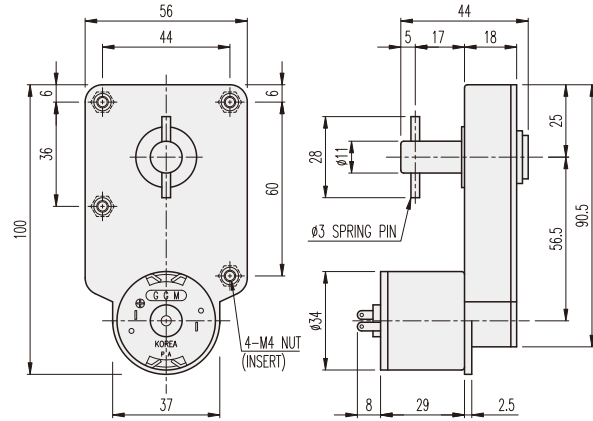


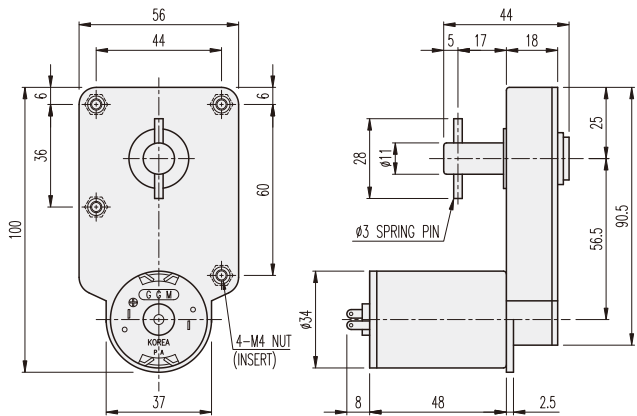
KGP-TYPE(ININSERT)

DIMENSIONS

KGP-3429 SERIES



KGP-3448 SERIES



AT MAXIMUM EFFICIENCY (KGP-□□□□-KD3429□□)

| GEAR | MODEL | | KD3429S1 | | KD3429S2 | | KD3429T1 | | KD3429T2 | | KD3429P1 | | KD3429P2 | |
|--------|-------|--------|----------|--------|----------|--------|----------|--------|----------|--------|----------|--------|----------|--------|
| | | | DC 12V | | DC 24V | | DC 12V | | DC 24V | | DC 12V | | DC 24V | |
| | rpm | kgf-cm | rpm | kgf-cm | rpm | kgf-cm | rpm | kgf-cm | rpm | kgf-cm | rpm | kgf-cm | rpm | kgf-cm |
| 1/0062 | 72.6 | 1.5 | 72.6 | 1.5 | 104.8 | 1.5 | 104.8 | 1.5 | 129 | 3.2 | 129 | 1.5 | | |
| 1/0116 | 38.8 | 2.7 | 38.8 | 2.7 | 56 | 2.7 | 56 | 2.7 | 69 | 6 | 69 | 2.7 | | |

AT MAXIMUM EFFICIENCY (KGP-□□□□-KD3448□□)

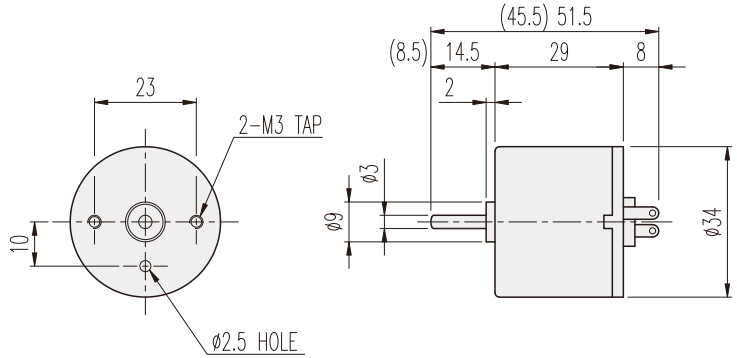
| GEAR | MODEL | | KD3448S1 | | KD3448S2 | | KD3448T1 | | KD3448T2 | | KD3448P1 | | KD3448P2 | |
|--------|-------|--------|----------|--------|----------|--------|----------|--------|----------|--------|----------|--------|----------|--------|
| | | | DC 12V | | DC 24V | | DC 12V | | DC 24V | | DC 12V | | DC 24V | |
| | rpm | kgf-cm | rpm | kgf-cm | rpm | kgf-cm | rpm | kgf-cm | rpm | kgf-cm | rpm | kgf-cm | rpm | kgf-cm |
| 1/0062 | 72.6 | 3.2 | 72.6 | 3.2 | 104.8 | 3.2 | 104.8 | 3.2 | 129 | 3.2 | 129 | 3.2 | | |
| 1/0116 | 38.8 | 6 | 38.8 | 6 | 56 | 6 | 56 | 6 | 69 | 6 | 69 | 6 | | |

* 감속비전체 MOTOR와 출력축의 회전방향이 같습니다.

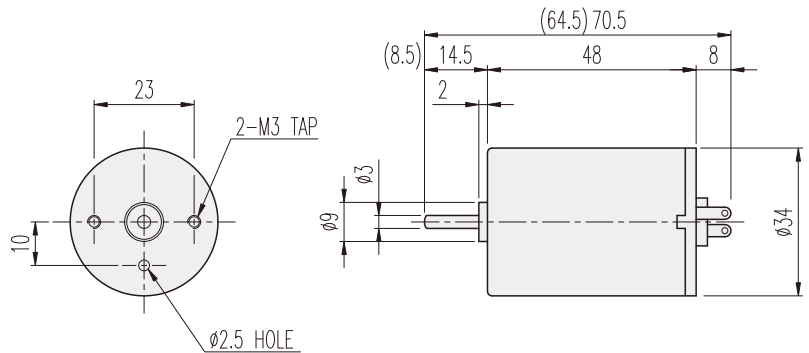
KD□-34□□-TYPE

DIMENSIONS

KD3429□□ SERIES



KD3448□□ SERIES



ENCODER SERIES

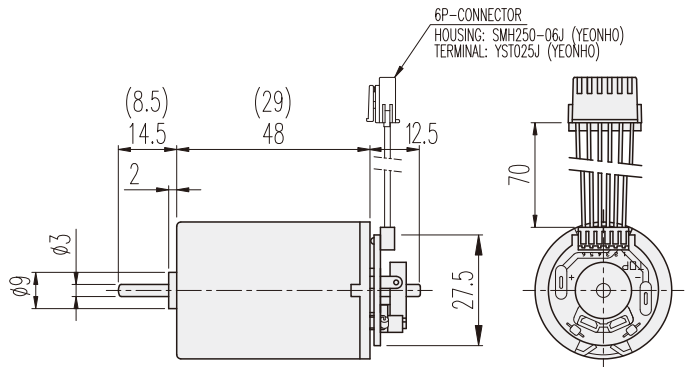
KD3429□□-E & 3448□□-E



6P-CONNECTOR 결선내용

| No.1 | 연결내용 | 비고 |
|------|-----------------|------------------|
| 1 | DC MOTOR (+) 전원 | 전원 공급시 |
| 2 | DC MOTOR (-) 전원 | MOTOR CCW-회전 |
| 3 | H/SENSOR (+) 전원 | Vcc (+) DC5~24V |
| 4 | H/SENSOR (-) 전원 | GROUND |
| 5 | H/SENSOR #1 OUT | OPEN COLLECTOR |
| 6 | H/SENSOR #1 OUT | MAX. DC24V -50mA |

20극 10펄스 INCREMENTAL TYPE



PERFORMANCE DATA

| MODEL | ITEM | VOLTAGE (DC) | NO LOAD | | AT MAX. EFF. | | | STALL | | WEIGHT (g) |
|----------|------|--------------|---------|------|--------------|-----|------|-------|-------|------------|
| | | | mA | rpm | gf-cm | A | rpm | A | gf-cm | |
| KD3429S1 | | 12V | 120 | 5200 | 40 | 0.3 | 4500 | 1.7 | 360 | 90 |
| KD3429S2 | | 24V | 70 | 5200 | 40 | 0.2 | 4500 | 1 | 370 | |
| KD3429T1 | | 12V | 150 | 7500 | 40 | 0.5 | 6500 | 3.8 | 420 | |
| KD3429T2 | | 24V | 80 | 7500 | 40 | 0.2 | 6500 | 1.2 | 320 | |
| KD3429P1 | | 12V | 200 | 9500 | 80 | 1 | 8000 | 3.8 | 330 | |
| KD3429P2 | | 24V | 100 | 9500 | 40 | 0.3 | 8000 | 2 | 350 | |
| KD3448S1 | | 12V | 150 | 5200 | 80 | 0.5 | 4500 | 3.2 | 830 | 140 |
| KD3448S2 | | 24V | 80 | 5200 | 80 | 0.3 | 4500 | 2 | 790 | |
| KD3448T1 | | 12V | 220 | 7500 | 80 | 0.7 | 6500 | 5 | 730 | |
| KD3448T2 | | 24V | 100 | 7500 | 80 | 0.4 | 6500 | 3 | 700 | |
| KD3448P1 | | 12V | 300 | 9000 | 80 | 0.8 | 8000 | 5.5 | 670 | |
| KD3448P2 | | 24V | 200 | 9000 | 80 | 0.5 | 8000 | 3.5 | 750 | |