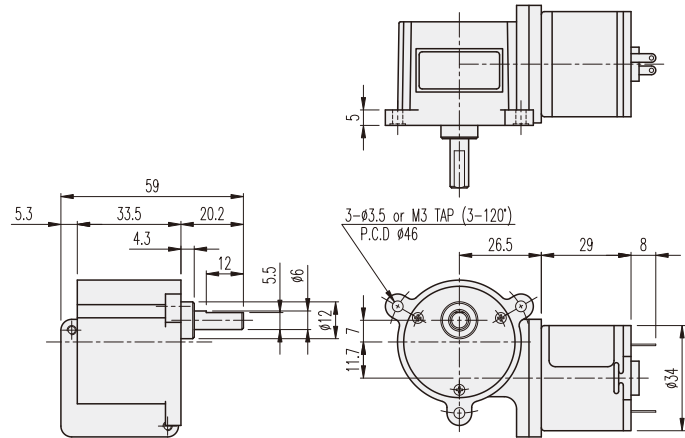
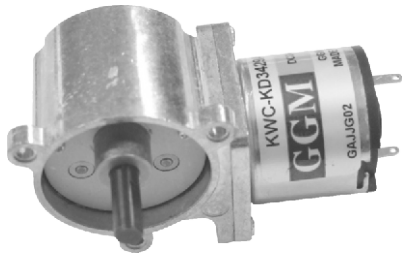


### DIMENSIONS

#### KWC-3429 SERIES



#### AT MAXIMUM EFFICIENCY (KWC-□□□□-KD3429□□)

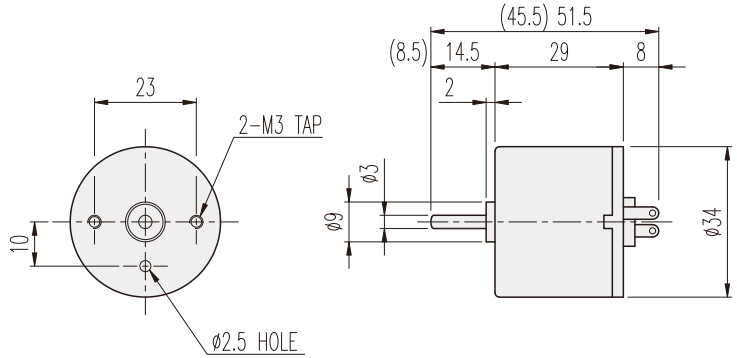
GEAR	MODEL		KD3429S1		KD3429S2		KD3429T1		KD3429T2		KD3429P1		KD3429P2	
			DC 12V		DC 24V		DC 12V		DC 24V		DC 12V		DC 24V	
	rpm	kgf-cm	rpm	kgf-cm	rpm	kgf-cm	rpm	kgf-cm	rpm	kgf-cm	rpm	kgf-cm	rpm	kgf-cm
1/025	180	0.2	180	0.2	260	0.2	260	0.2	320	0.4	320	0.2		
1/030	150	0.3	150	0.3	217	0.3	217	0.3	267	0.5	267	0.3		
1/050	90	0.4	90	0.4	130	0.4	130	0.4	160	0.9	160	0.4		
1/060	75	0.5	75	0.5	108	0.5	108	0.5	133	0.9	133	0.5		
1/075	60	0.6	60	0.6	87	0.6	87	0.6	107	1.2	107	0.6		
1/100	45	0.8	45	0.8	65	0.8	65	0.8	80	1.6	80	0.8		
1/125	36	1	36	1	52	1	52	1	64	1.9	64	1		
1/150	30	1.2	30	1.2	43	1.2	43	1.2	53	2.3	53	1.2		
1/200	22.5	1.4	22.5	1.4	32.5	1.4	32.5	1.4	40	2.8	40	1.4		
1/250	18	1.7	18	1.7	26	1.7	26	1.7	32	3.5	32	1.7		
1/300	15	2.1	15	2.1	21.7	2.1	21.7	2.1	26.7	4.2	26.7	2.1		
1/375	12	2.6	12	2.6	17.3	2.6	17.3	2.6	21.3	5.2	21.3	2.6		
1/500	9	3.5	9	3.5	13	3.5	13	3.5	16	6	16	3.5		
1/600	7.5	3.8	7.5	3.8	10.8	3.8	10.8	3.8	13.3	6	13.3	3.8		
1/750	6	4.7	6	4.7	8.7	4.7	8.7	4.7	10.7	6	10.7	4.7		
1/900	5	6	5	6	7.2	6	7.2	6	8.9	6	8.9	6		
1/1050	4.3	6	4.3	6	6.2	6	6.2	6	7.6	6	7.6	6		
1/1350	3.3	6	3.3	6	4.8	6	4.8	6	5.9	6	5.9	6		
1/1500	3	6	3	6	4.3	6	4.3	6	5.3	6	5.3	6		

\*  색상의 감속비의 회전방향은 CW. [ MOTOR의 (+)단자에 (+)전원인가시]

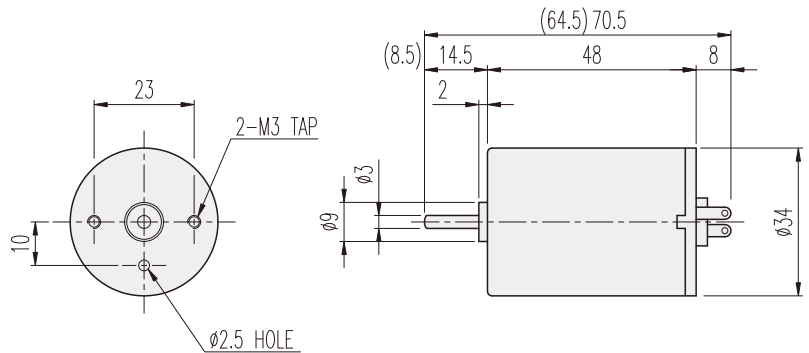
## KD□-34□□-TYPE

### DIMENSIONS

#### KD3429□□ SERIES



#### KD3448□□ SERIES



#### ENCODER SERIES

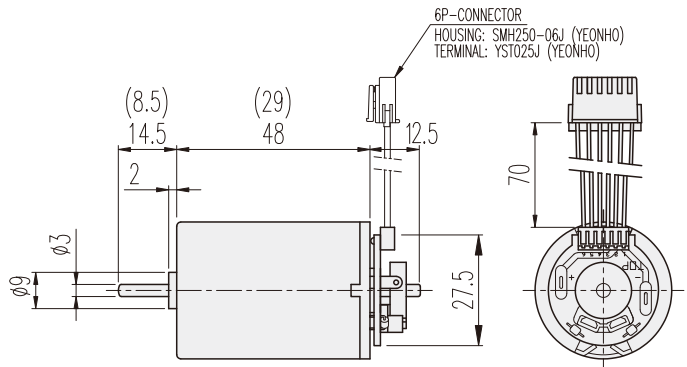
#### KD3429□□-E & 3448□□-E



6P-CONNECTOR 결선내용

No.1	연결내용	비고
1	DC MOTOR (+) 전원	전원 공급시
2	DC MOTOR (-) 전원	MOTOR CCW-회전
3	H/SENSOR (+) 전원	Vcc (+) DC5~24V
4	H/SENSOR (-) 전원	GROUND
5	H/SENSOR #1 OUT	OPEN COLLECTOR
6	H/SENSOR #1 OUT	MAX. DC24V -50mA

20극 10펄스 INCREMENTAL TYPE



#### PERFORMANCE DATA

MODEL	ITEM	VOLTAGE (DC)	NO LOAD		AT MAX. EFF.			STALL		WEIGHT (g)
			mA	rpm	gf-cm	A	rpm	A	gf-cm	
90	KD3429S1	12V	120	5200	40	0.3	4500	1.7	360	
	KD3429S2	24V	70	5200	40	0.2	4500	1	370	
	KD3429T1	12V	150	7500	40	0.5	6500	3.8	420	
	KD3429T2	24V	80	7500	40	0.2	6500	1.2	320	
	KD3429P1	12V	200	9500	80	1	8000	3.8	330	
	KD3429P2	24V	100	9500	40	0.3	8000	2	350	
140	KD3448S1	12V	150	5200	80	0.5	4500	3.2	830	
	KD3448S2	24V	80	5200	80	0.3	4500	2	790	
	KD3448T1	12V	220	7500	80	0.7	6500	5	730	
	KD3448T2	24V	100	7500	80	0.4	6500	3	700	
	KD3448P1	12V	300	9000	80	0.8	8000	5.5	670	
	KD3448P2	24V	200	9000	80	0.5	8000	3.5	750	