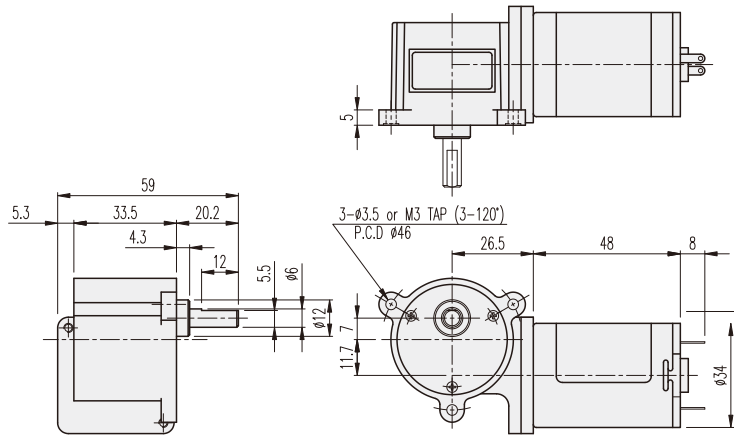
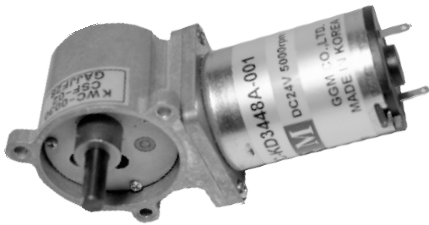


KWC-TYPE

Worm GEARHEAD

DIMENSIONS

KWC-3448 SERIES



AT MAXIMUM EFFICIENCY (KWC-□□□□-KD3448□□)

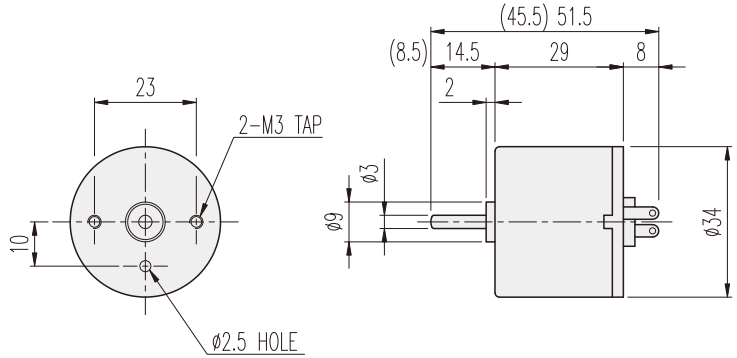
GEAR	MODEL	KD3448S1		KD3448S2		KD3448T1		KD3448T2		KD3448P1		KD3448P2	
		DC 12V		DC 24V		DC 12V		DC 24V		DC 12V		DC 24V	
		rpm	kgf-cm	rpm	kgf-cm	rpm	kgf-cm	rpm	kgf-cm	rpm	kgf-cm	rpm	kgf-cm
1/025		180	0.4	180	0.4	260	0.4	260	0.4	320	0.4	320	0.4
1/030		150	0.5	150	0.5	217	0.5	217	0.5	267	0.5	267	0.5
1/050		90	0.9	90	0.9	130	0.9	130	0.9	160	0.9	160	0.9
1/060		75	0.9	75	0.9	108	0.9	108	0.9	133	0.9	133	0.9
1/075		60	1.2	60	1.2	87	1.2	87	1.2	107	1.2	107	1.2
1/100		45	1.6	45	1.6	65	1.6	65	1.6	80	1.6	80	1.6
1/125		36	1.9	36	1.9	52	1.9	52	1.9	64	1.9	64	1.9
1/150		30	2.3	30	2.3	43	2.3	43	2.3	53	2.3	53	2.3
1/200		22.5	2.8	22.5	2.8	32.5	2.8	32.5	2.8	40	2.8	40	2.8
1/250		18	3.5	18	3.5	26	3.5	26	3.5	32	3.5	32	3.5
1/300		15	4.2	15	4.2	21.7	4.2	21.7	4.2	26.7	4.2	26.7	4.2
1/375		12	5.2	12	5.2	17.3	5.2	17.3	5.2	21.3	5.2	21.3	5.2
1/500		9	6	9	6	13	6	13	6	16	6	16	6
1/600		7.5	6	7.5	6	10.8	6	10.8	6	13.3	6	13.3	6
1/750		6	6	6	6	8.7	6	8.7	6	10.7	6	10.7	6
1/900		5	6	5	6	7.2	6	7.2	6	8.9	6	8.9	6
1/1050		4.3	6	4.3	6	6.2	6	6.2	6	7.6	6	7.6	6
1/1350		3.3	6	3.3	6	4.8	6	4.8	6	5.9	6	5.9	6
1/1500		3	6	3	6	4.3	6	4.3	6	5.3	6	5.3	6

* 색상의 감속비의 회전방향은 CW. [MOTOR의 (+)단자에 (+)전원인가시]

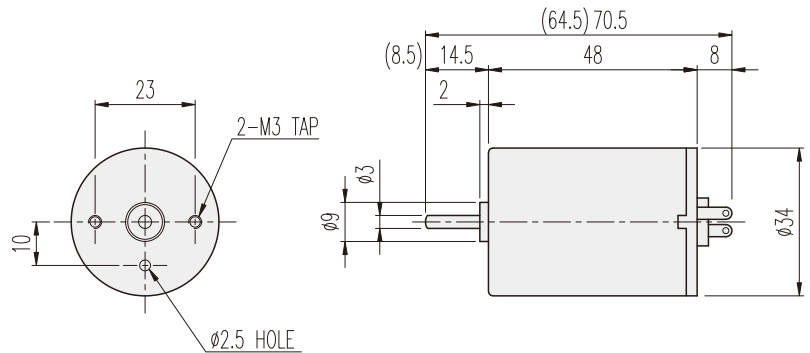
KD□-34□□-TYPE

DIMENSIONS

KD3429□□ SERIES



KD3448□□ SERIES



ENCODER SERIES

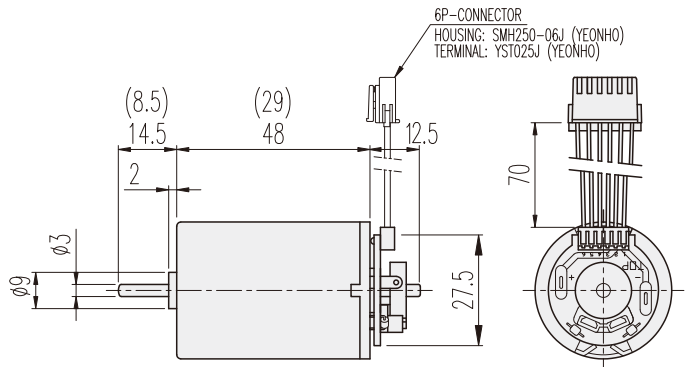
KD3429□□-E & 3448□□-E



6P-CONNECTOR 결선내용

No.1	연결내용	비고
1	DC MOTOR (+) 전원	전원 공급시
2	DC MOTOR (-) 전원	MOTOR CCW-회전
3	H/SENSOR (+) 전원	Vcc (+) DC5~24V
4	H/SENSOR (-) 전원	GROUND
5	H/SENSOR #1 OUT	OPEN COLLECTOR
6	H/SENSOR #1 OUT	MAX. DC24V -50mA

20극 10펄스 INCREMENTAL TYPE



PERFORMANCE DATA

MODEL	ITEM	VOLTAGE (DC)	NO LOAD		AT MAX. EFF.			STALL		WEIGHT (g)
			mA	rpm	gf-cm	A	rpm	A	gf-cm	
KD3429S1		12V	120	5200	40	0.3	4500	1.7	360	90
KD3429S2		24V	70	5200	40	0.2	4500	1	370	
KD3429T1		12V	150	7500	40	0.5	6500	3.8	420	
KD3429T2		24V	80	7500	40	0.2	6500	1.2	320	
KD3429P1		12V	200	9500	80	1	8000	3.8	330	
KD3429P2		24V	100	9500	40	0.3	8000	2	350	
KD3448S1		12V	150	5200	80	0.5	4500	3.2	830	140
KD3448S2		24V	80	5200	80	0.3	4500	2	790	
KD3448T1		12V	220	7500	80	0.7	6500	5	730	
KD3448T2		24V	100	7500	80	0.4	6500	3	700	
KD3448P1		12V	300	9000	80	0.8	8000	5.5	670	
KD3448P2		24V	200	9000	80	0.5	8000	3.5	750	