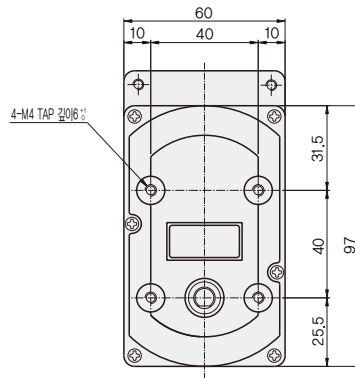


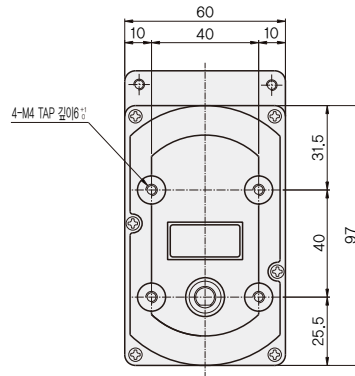
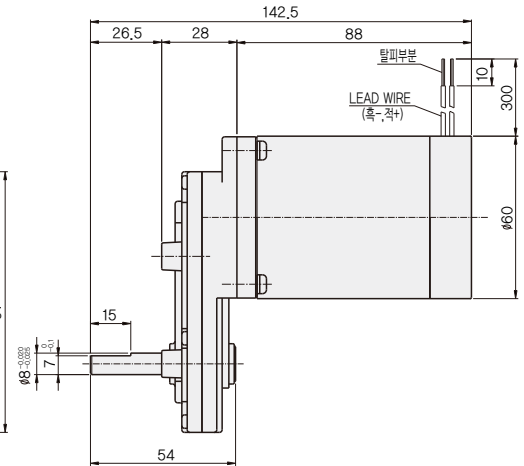
KGY-TYPE

DIMENSIONS

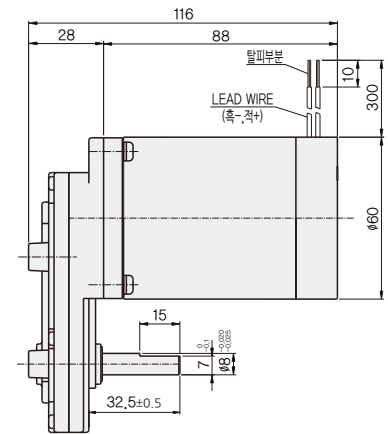
KGY SERIES (DC 15W)



F TYPE



R TYPE



MOTOR PERFORMANCE DATA

MODEL	MOTOR		NO LOAD		AT MAX. EFF.			STALL	
	VOLTAGE	OUTPUT(W)	rpm	A	rpm	kgf-cm	A	kgf-cm	A
K6DG15N1	DC 12V	15	3250	0.6	3000	0.49	1.7	3.7	13.5
K6DG15N2	DC 24V	15	3480	0.4	3000	0.5	1.1	4.2	7.5
K6DG15N3	DC 90V	15	3200	0.06	3000	0.49	0.28	3	1.6

* 표준은 F-TYPE 입니다.

KGY-TYPE

DIMENSIONS

AT MAXIMUM EFFICIENCY (KGY-□□□□-K6DG15N□)

GEAR	MODEL	K6DG15N1		K6DG15N2		K6DG15N3	
		DC 12V-15W		DC 24V-15W		DC 90V-15W	
		rpm	kgf-cm	rpm	kgf-cm	rpm	kgf-cm
1/0008		375	2.9	375	2.9	375	2.9
1/0011		272.7	3.9	272.7	3.9	272.7	3.9
1/0015		200	5.4	200	5.4	200	5.4
1/0021		142.8	7.5	142.8	7.5	142.8	7.5
1/0027		111.1	9.6	111.1	9.6	111.1	9.6
1/0031		96.8	11.1	96.8	11.1	96.8	11.1
1/0036		83.3	12.9	83.3	12.9	83.3	12.9
1/0043		69.8	15.4	69.8	15.4	69.8	15.4
1/0047		63.8	16.8	63.8	16.8	63.8	16.8
1/0055		54.5	19.6	54.5	19.6	54.5	19.6
1/0060		50	20	50	20	50	20
1/0075		40	20	40	20	40	20
1/0086		34.9	20	34.9	20	34.9	20
1/0100		30	20	30	20	30	20
1/0115		26.1	20	26.1	20	26.1	20
1/0130		23.1	20	23.1	20	23.1	20
1/0145		20.7	20	20.7	20	20.7	20
1/0165		18.2	20	18.2	20	18.2	20
1/0200		15	20	15	20	15	20
1/0250		12	20	12	20	12	20
1/0275		10.9	20	10.9	20	10.9	20
1/0300		10	20	10	20	10	20
1/0360		8.3	20	8.3	20	8.3	20
1/0450		6.7	20	6.7	20	6.7	20
1/0550		5.5	20	5.5	20	5.5	20
1/0590		5.1	20	5.1	20	5.1	20
1/0680		4.4	20	4.4	20	4.4	20
1/0740		4.1	20	4.1	20	4.1	20
1/0825		3.6	20	3.6	20	3.6	20

* 색상의 감속비는 MOTOR와 출력축의 회전방향이 같습니다.
 * 표준은 F-TYPE 입니다.