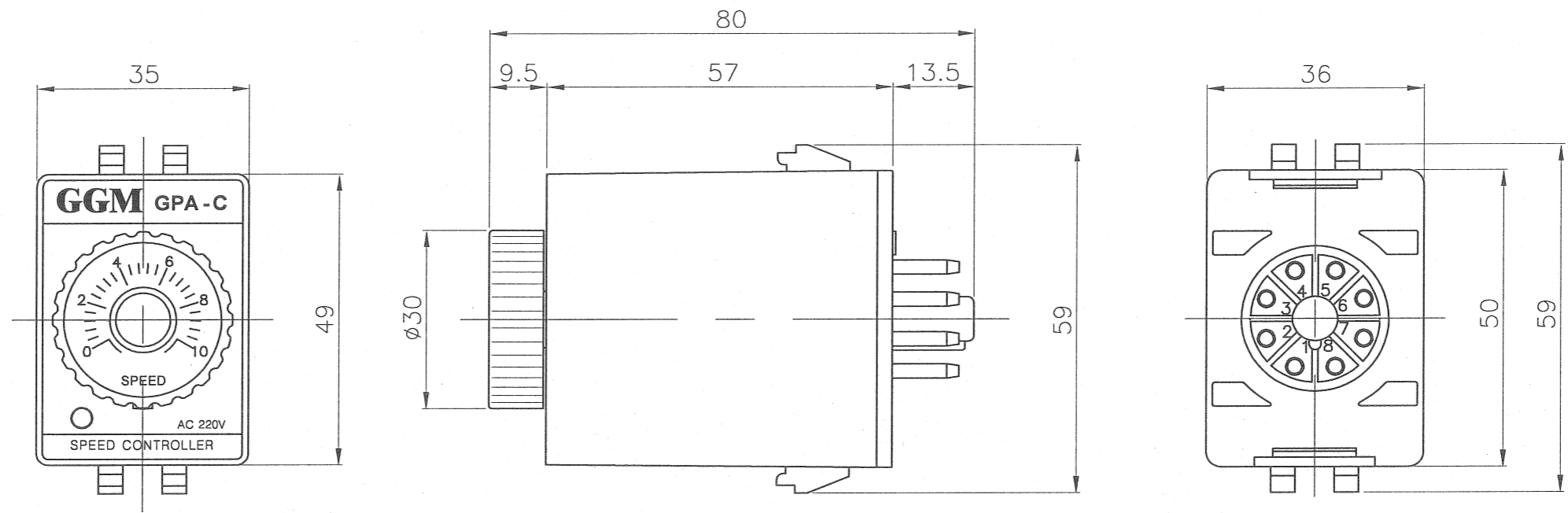
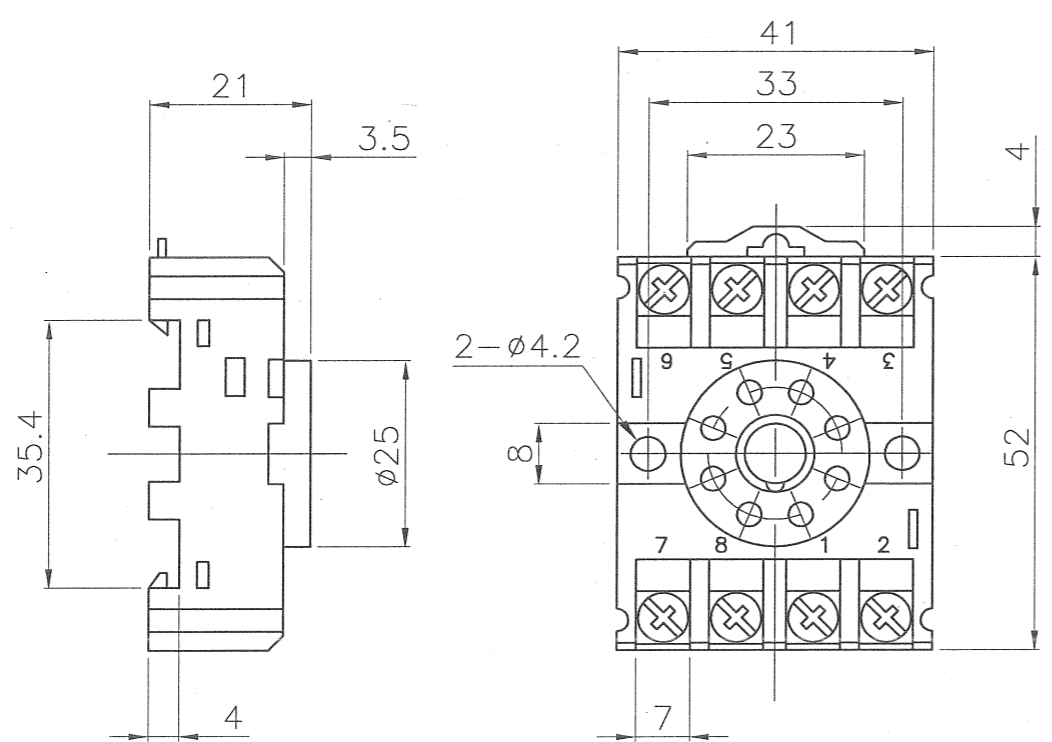


No.	REMARK	REVISION No.	SIGN

● SPEED CONTROLLER



● SOCKET



DRAW		SCALE : 1 / 1	PART NAME
DESIGNED		UNIT : mm	OUTLINE
CHECKED			APPLICATION MODEL
APPROVED			GPA SPEED CONTROLLER
G G M GLOBAL GEARED MOTOR		RELATION DWG.	DWG NO.
			2-OL-00421