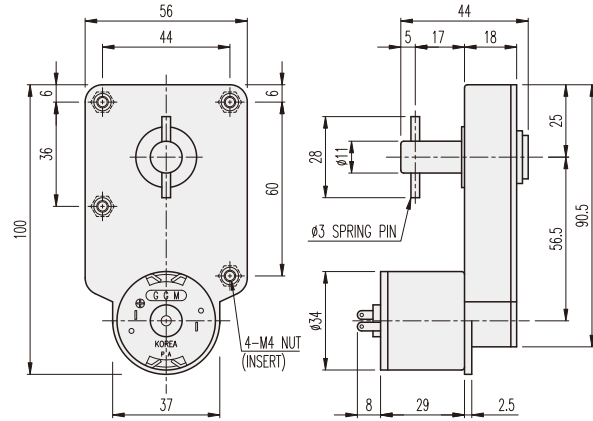


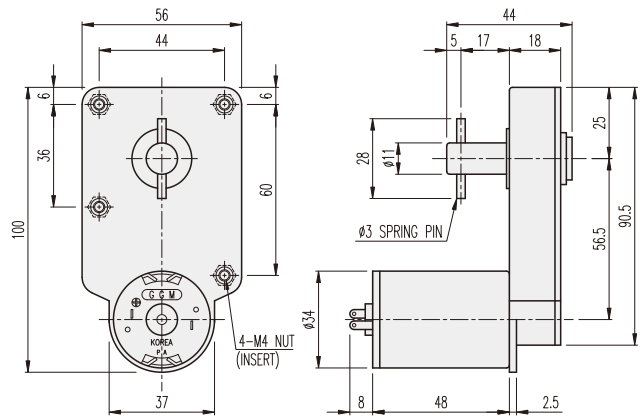
KGP-TYPE(ININSERT)

DIMENSIONS

KGP-3429 SERIES



KGP-3448 SERIES



AT MAXIMUM EFFICIENCY (KGP-□□□□-KD3429□□)

GEAR	MODEL		KD3429S1		KD3429S2		KD3429T1		KD3429T2		KD3429P1		KD3429P2	
			DC 12V		DC 24V		DC 12V		DC 24V		DC 12V		DC 24V	
	rpm	kgf-cm	rpm	kgf-cm	rpm	kgf-cm	rpm	kgf-cm	rpm	kgf-cm	rpm	kgf-cm	rpm	kgf-cm
1/0062	72.6	1.5	72.6	1.5	104.8	1.5	104.8	1.5	129	3.2	129	1.5		
1/0116	38.8	2.7	38.8	2.7	56	2.7	56	2.7	69	6	69	2.7		

AT MAXIMUM EFFICIENCY (KGP-□□□□-KD3448□□)

GEAR	MODEL		KD3448S1		KD3448S2		KD3448T1		KD3448T2		KD3448P1		KD3448P2	
			DC 12V		DC 24V		DC 12V		DC 24V		DC 12V		DC 24V	
	rpm	kgf-cm	rpm	kgf-cm	rpm	kgf-cm	rpm	kgf-cm	rpm	kgf-cm	rpm	kgf-cm	rpm	kgf-cm
1/0062	72.6	3.2	72.6	3.2	104.8	3.2	104.8	3.2	129	3.2	129	3.2		
1/0116	38.8	6	38.8	6	56	6	56	6	69	6	69	6		

* 감속비전체 MOTOR와 출력축의 회전방향이 같습니다.