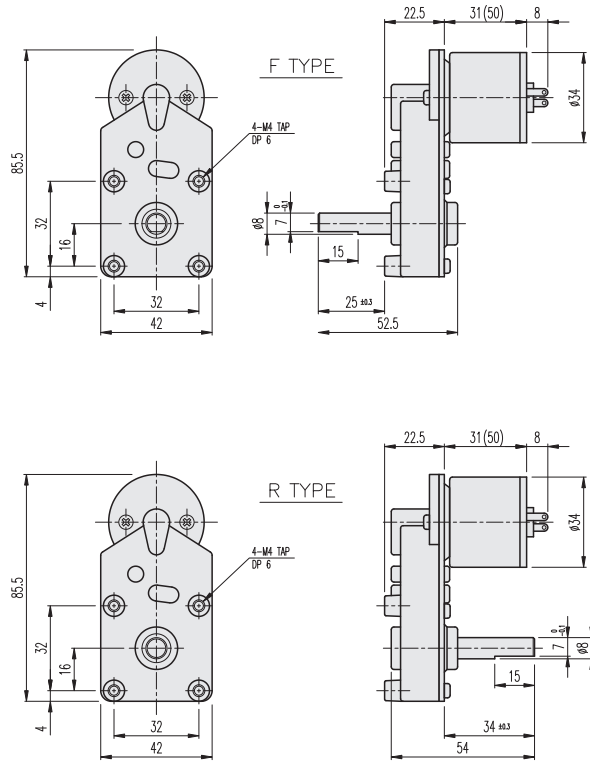
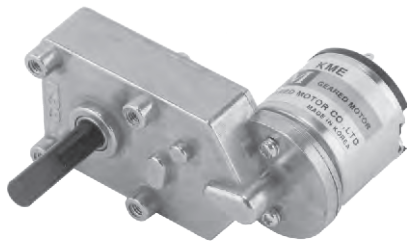


KME-TYPE

DIMENSIONS

KME SERIES



AT MAXIMUM EFFICIENCY (3429 SERIES)

GEAR	MODEL	KD3429S1		KD3429S2		KD3429T1		KD3429T2		KD3429P1		KD3429P2	
		DC 12V		DC 24V		DC 12V		DC 24V		DC 12V		DC 24V	
		rpm	kgf-cm	rpm	kgf-cm	rpm	kgf-cm	rpm	kgf-cm	rpm	kgf-cm	rpm	kgf-cm
1/022		205	0.6	205	0.6	295	0.6	295	0.6	364	1.3	364	0.6
1/034		132	1	132	1	191	1	191	1	235	2	235	1
1/043		104.7	1.1	104.7	1.1	151	1.1	151	1.1	186	2.5	186	1.1
1/053		84	1.3	84	1.3	122	1.3	122	1.3	150	2.6	150	1.3
1/060		75	1.6	75	1.6	108	1.6	108	1.6	133	3.1	133	1.6
1/067		67.2	1.8	67.2	1.8	97	1.8	97	1.8	119	3.5	119	1.8

* 색상의 감속비는 MOTOR와 출력축의 회전방향이 같습니다.

AT MAXIMUM EFFICIENCY (3448 SERIES)

GEAR	MODEL	KD3448S1		KD3448S2		KD3448T1		KD3448T2		KD3448P1		KD3448P2	
		DC 12V		DC 24V		DC 12V		DC 24V		DC 12V		DC 24V	
		rpm	kgf-cm	rpm	kgf-cm	rpm	kgf-cm	rpm	kgf-cm	rpm	kgf-cm	rpm	kgf-cm
1/022		205	1.3	205	1.3	295	1.3	295	1.3	364	1.3	364	1.3
1/034		132	2	132	2	191	2	191	2	235	2	235	2
1/043		104.7	2.5	104.7	2.5	151	2.5	151	2.5	186	2.5	186	2.5
1/053		84	2.6	84	2.6	122	2.6	122	2.6	150	2.6	150	2.6
1/060		75	3.1	75	3.1	108	3.1	108	3.1	133	3.1	133	3.1
1/067		67.2	3.5	67.2	3.5	97	3.5	97	3.5	119	3.5	119	3.5

* 색상의 감속비는 MOTOR와 출력축의 회전방향이 같습니다.